

# FS276AQ

# Half-Bridge IPM

## Description

FS276AQ is a half-bridge module with high performance and high reliability, using for small power motor applications such as fan motor and bump, consisting of built-in 2 fast recovery MOSFET and half-bridge HVIC for gate driving.

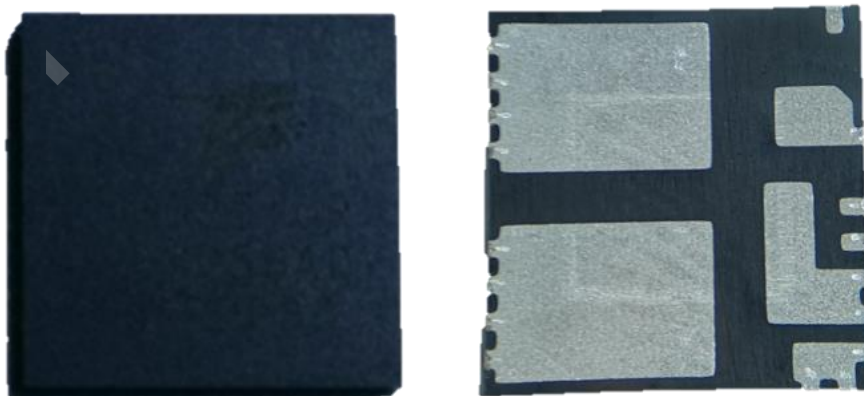
FS276AQ has built-in VCC and VB under-voltage (UVLO) protection to prevent the power semiconductor devices from operation under very low voltage. The FS276AQ has also built-in cross-conduction and input signal filtering to prevent input noise.

FS276AQ is compact and suitable for built-in motors or any other applications requiring the compact installation.

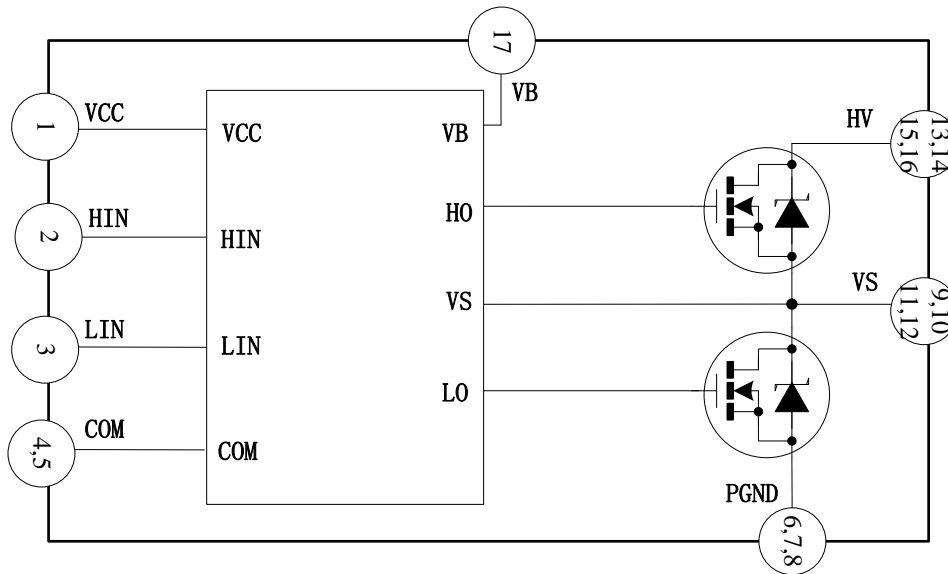
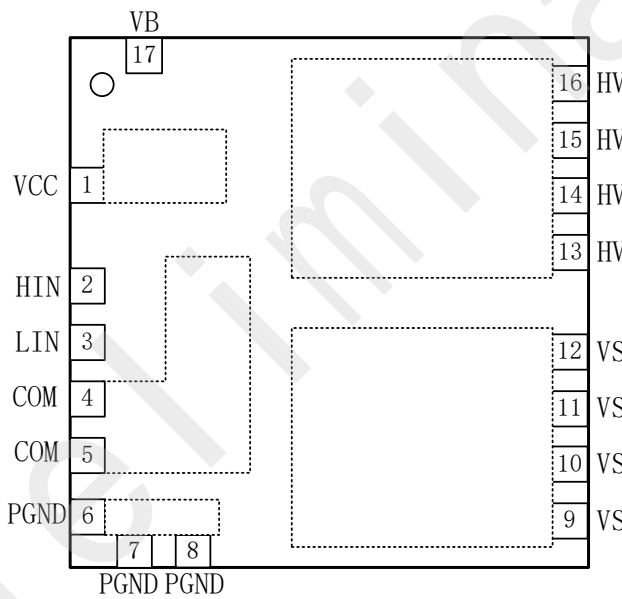
## Features

- Built-in 600V7A fast recovery MOSFET
- Built-in high voltage Gate driver circuit(HVIC)
- Power supply pressure range: 13.5V ~20V
- 3.3V/5V logic input compatible, active high HIN and LIN
- Under-voltage lockout for all channels
- Optimized dV/dt for loss
- Cross-conduction prevention logic
- Isolation 1500V<sub>RMS</sub> min
- ROHS compliant

## Package (QFN17L-7\*7)



QFN17L-7\*7

**Internal Electrical Schematic**

**Module Pin-Out Description**


Pin	Name	Description
1	VCC	Low side and logic fixed supply
2	HIN	Logic Input for High Side (Active High)
3	LIN	Logic Input for Low Side (Active High)
4,5	COM	Low Side Gate Drive Return
6,7,8	PGND	Low Side Source Connection
9,10,11,12	VS	Phase Output
13,14,15,16	HV	DC Bus
17	VB	High Side Floating Supply

### Absolute Maximum Ratings

Absolute maximum ratings indicate sustained limits beyond which damage to the module may occur. These are not tested at manufacturing. All voltage parameters are absolute voltages referenced to VSS, unless otherwise stated in the table. The thermal resistance and power dissipation ratings are measured under board mounted and still air condition.

Symbol	Description	Min	Max	Unit
$BV_{DSS}$	MOSFET Blocking Voltage	-	600	V
$I_{O25}$	DC output current per MOSFET @ TC=25°C (Note1)	-	7	A
$I_{O80}$	DC output current per MOSFET @ TC=80°C (Note2)	-	5	A
$I_{OP}$	Peak output current per MOSFET @ TC=25°C	-	15	A
$P_d$	Power dissipation per MOSFET @ TC =25°C	-	5	W
$T_J$	Maximum Operating Junction Temperature	-	150	°C
$T_L$	Lead temperature (soldering 30 seconds)	-	260	°C
$T_S$	Storage Temperature Range	-40	150	°C
$R_{thJA}$	Thermal resistance, junction to case, each MOSFET	-	25	°C/W
$V_B$	High side floating supply voltage	-0.3	$V_S+20$ V	V
$V_S$	High side floating supply offset voltage	$V_B - 20$	$V_B+0.3$ V	V
VCC	Low Side fixed supply voltage	-0.3	20	V
$V_{IN}$	Logic input voltage LIN, HIN	-0.3	$V_{CC}+0.3$	V
$V_{ISO}$	Isolation voltage(1min)(Note1)	-	1500	V

**Note1:** The current is calculated based on maximum junction temperature. Package limit is 2A.

**Note2:** The current is calculated based on maximum junction temperature. Package limit is 1.5A.

**Note3:** In any case, power dissipation should not exceed  $P_D$ .

**Note4:** Voltages above the absolute maximum ratings may damage the chip.

### Recommended Operating Conditions

Symbol	Description	Min	Typ	Max	Units
HV	Positive DC Bus Input Voltage	---	300	400	V
$V_{BS}$	High Side Supply Voltage	13.5	15	16.5	V
VCC	Low Side and Logic Supply Voltage	13.5	15	16.5	V
$V_{IN}$	Logic Input Voltage	COM	---	VCC	V
$t_{dead}$	Blanking Time for Preventing Arm-Short	1.0	---	---	us
$f_{PWM}$	PWM Carrier Frequency	---	16	25	kHz

For proper operation, the module should be used within the recommended conditions. All voltages are absolute referenced to COM.

**Note1:** The long-term operation of the chip outside the recommended conditions may affect its reliability. It is not recommended to work in an environment that exceeds the recommended conditions.

### Electrical Characteristics

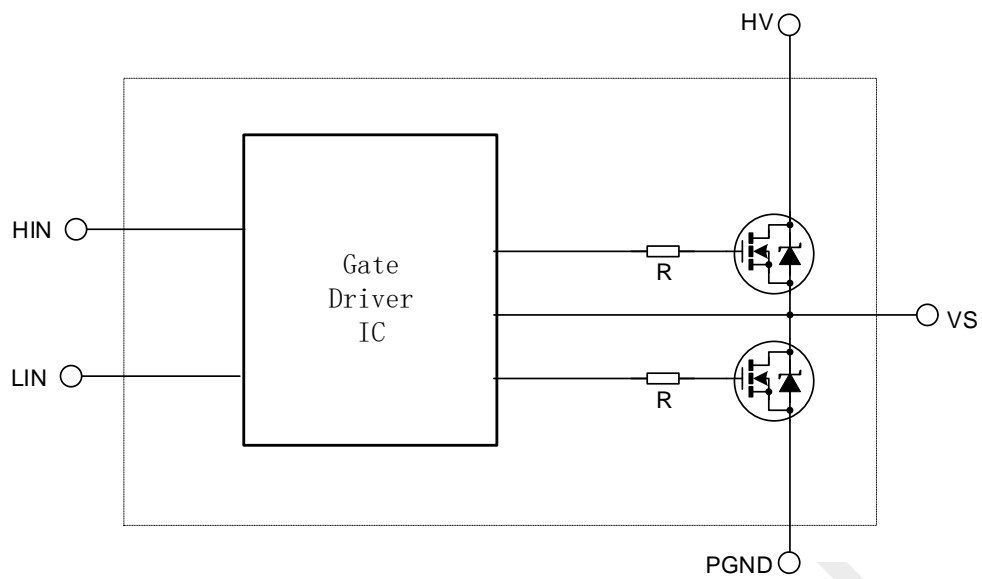
$V_{BIAS} (V_{CC}, V_{BS})=15V, T_J=25^{\circ}C$ , unless otherwise specified.

Symbol	Description	Min	Typ	Max	Units	Conditions
$BV_{DSS}$	Drain-to-Source Breakdown Voltage	600	---	---	V	$I_{LK}=1mA$
$I_{LK}$	Zero Gate Voltage Drain Current	---	---	250	$\mu A$	$V_{DS}=600V$
$R_{DS(ON)}$	Drain to Source ON Resistance	---	1.0	1.25	$\Omega$	$I_d = 3A$
$V_{SD}$	Diode Forward Voltage	---	---	1.4	V	$I_d = 3A$
$V_{IH}$	Logic "1" input voltage for HIN/LIN	2.8	---	---	V	
$V_{IL}$	Logic "0" input voltage for HIN/LIN	---	---	0.8	V	
$V_{CCUV+}$	VCC Supply Under-Voltage, Positive Going Threshold	11.2	12	12.8	V	
$V_{CCUV-}$	VCC supply Under-Voltage, Negative Going Threshold	10.2	11	11.8	V	
$V_{CCUVH}$	VCC Supply Under-Voltage Lock- Out Hysteresis	0.6	1	-	V	
$V_{BSUV+}$	VBS Supply Under-Voltage, Positive Going Threshold	9.4	10.2	11	V	
$V_{BSUV-}$	VBS supply Under-Voltage, Negative Going Threshold	8.4	9.2	10	V	
$V_{BSUVH}$	VBS Supply Under-Voltage Lock- Out Hysteresis	0.6	1	-	V	
$I_{QBS}$	Quiescent VBS Supply Current	---	75	120	$\mu A$	$V_{IN}=0V$ or 5V
$I_{QCC}$	Quiescent VCC Supply Current	---	160	300	$\mu A$	$V_{IN}=0V$ or 5V
$I_{IN+}$	Input Bias Current	---	25	50	$\mu A$	$V_{IN}=5V$
$I_{IN-}$	Input Bias Current	---	---	1	$\mu A$	$V_{IN}=0V$
$T_{ON}$	Input to Output Propagation Turn-On Delay Time	---	500	800	nS	
$T_{OFF}$	Input to Output Propagation Turn-Off Delay Time	---	200	400	nS	
$T_{FIL,IN}$	Input Filter Time (HIN, LIN)	---	100	---	nS	

**Note:** HIN, LIN pulse width must be  $\geq 500nS$

### MOSFET Avalanche Characteristics

Symbol	Description	Min	Typ	Max	Units	Conditions
$E_{AS}$	Single Pulse Avalanche Energy	---	200	---	mJ	$T_J=25^{\circ}C, I_{AS}=2A, L=100mH, TO-252$ package.
$t_{rr}$	Reverse Recovery Time	--	100	--	ns	$I_S=4A, di/dt=100A/us$

**Input-Output Logic Level Table**


<b>HIN</b>	<b>LIN</b>	<b>VS</b>
High	Low	HV
Low	High	PGND
Low	Low	*
High	High	**

\* The VS voltage has two states. If the current flows from PGND to VS, the VS voltage is PGND; if the current flows from VS to HV, the VS voltage is HV

\*\* Cross-conduction condition

### Typical Application

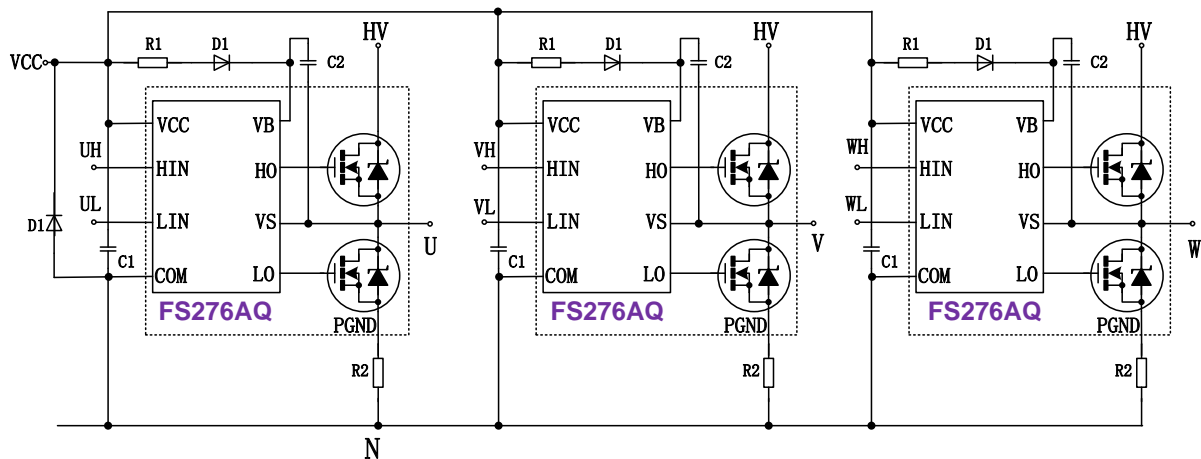
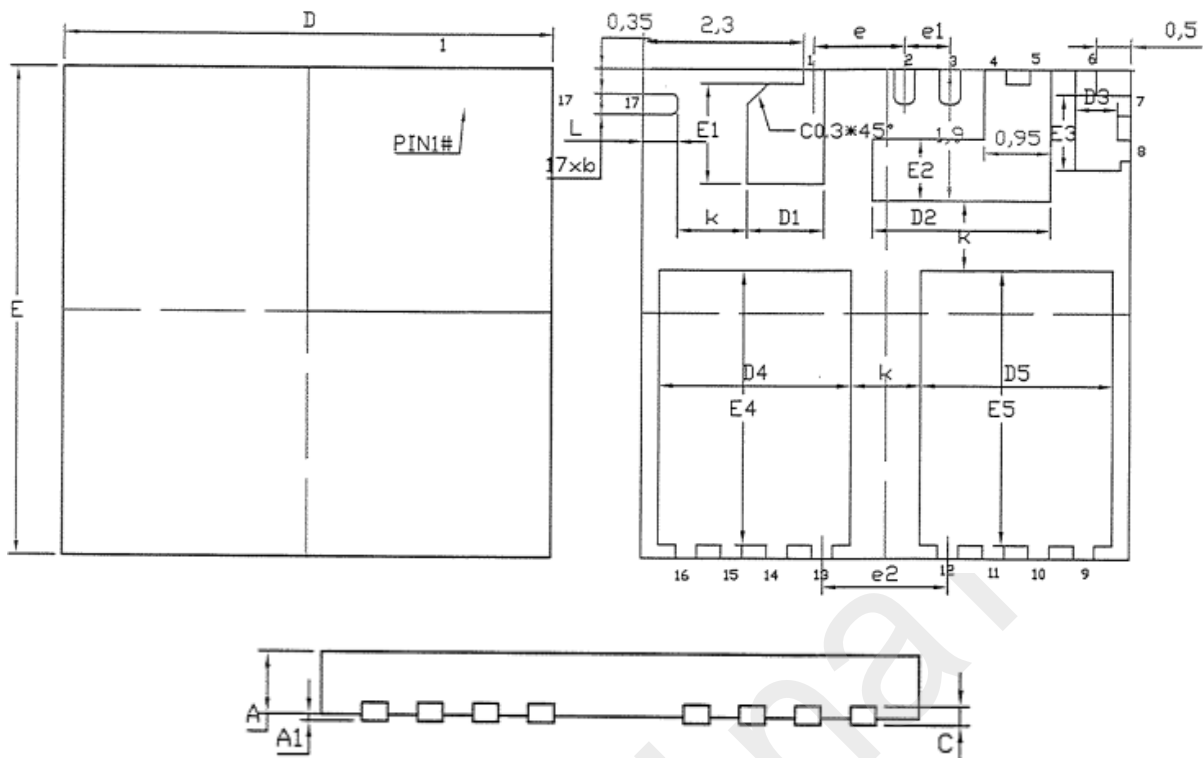


Figure: Typical Application Connection

1. In order to provide a good decoupling between VCC-COM and VB-VS terminals, the capacitors shown in the figure should be connected at these terminals and located very close to the module pins.
2. Value of the boot-strap capacitors depends upon the switching frequency.
3. Ground wires and output terminals, should be thick and short in order to avoid surge voltage and malfunction of HVIC.
4. It is recommended to connect high frequency non-inductive capacitor beside filter capacitor between HV&N with short wire to avoid surge destruction.
5. RC filtering capacitor maybe connected to inputs to prevent surge noise caused by wrong input signal.
6. High voltage (600V or more) and fast recovery type (less than 100ns) diodes should be used in the bootstrap circuit. A resistor R1 (larger than 10ohm) must be added in series with the bootstrap diode.
7. To prevent ICs from surge destruction, it is recommended to insert a Zener diode (18V,1W) nearby each pair of supply terminals.

**Package Outline**


SYMBOL	MILLIMETER		
	MIN	NOM	MAX
A	0.80	0.85	0.90
C	—	0.203 REF	—
A1	—	—	0.05
b	0.25	0.30	0.35
D	7.00BSC		
E	7.00BSC		
D1	1.00	1.10	1.20
E1	1.35	1.45	1.55
D2	2.45	2.55	2.65
E2	0.80	0.90	1.00
D3	0.50	0.60	0.70
E3	1.00	1.10	1.20
D4	2.65	2.75	2.85
E4	3.80	3.90	4.00
D5	2.65	2.75	2.85
E5	3.80	3.90	4.00
e	1.30BSC		
e1	0.65BSC		
e2	1.80BSC		
L	0.45	0.50	0.55
K	—	1.00	—

Part Number	Package Type	Marking ID	Package Method	Quantity
FS276AQ	QFN17L-7*7	FS276AQ	Tray	260

Preliminary



## Copyright Notice

Copyright by Fortior Technology (Shenzhen) Co., Ltd. All Rights Reserved.

Right to make changes —Fortior Technology (Shenzhen) Co., Ltd reserves the right to make changes in the products - including circuits, standard cells, and/or software - described or contained herein in order to improve design and/or performance. The information contained in this manual is provided for the general use by our customers. Our customers should be aware that the personal computer field is the subject of many patents. Our customers should ensure that they take appropriate action so that their use of our products does not infringe upon any patents. It is the policy of Fortior Technology (Shenzhen) Co., Ltd. to respect the valid patent rights of third parties and not to infringe upon or assist others to infringe upon such rights.

This manual is copyrighted by Fortior Technology (Shenzhen) Co., Ltd. You may not reproduce, transmit, transcribe, store in a retrieval system, or translate into any language, in any form or by any means, electronic, mechanical, magnetic, optical, chemical, manual, or otherwise, any part of this publication without the expressly written permission from Fortior Technology (Shenzhen) Co., Ltd.

## Fortior Technology (Shenzhen) Co., Ltd.

Room203, 2/F, Building No.11, Keji Central Road2,  
Software Park, High-Tech Industrial Park, Shenzhen, P.R. China 518057  
Tel: 0755-26867710  
Fax: 0755-26867715  
URL: <http://www.fortiortech.com>

### Contained herein

**Copyright by Fortior Technology (Shenzhen) Co., Ltd all rights reserved.**