

Datasheet

Three-phase Motor Control MCU FU6332

Fortior Technology (Shenzhen) Co., Ltd.

Contents

Explanation of Symbols	18
Abbreviations	19
1 System Introduction	20
1.1 Features	20
1.2 Applications.....	22
1.3 Overview	22
1.4 System Functional Block Diagram	23
1.4.1 FU6332N Functional Block Diagram	23
1.5 Memory Organization.....	24
1.5.1 Program Memory	24
1.5.2 Data Memory.....	24
1.5.3 SFR	25
1.5.4 XSFR	26
2 Pin Definitions	29
2.1 FU6332N QFN40 Pins.....	29
2.2 FU6332N QFN40 Pinout Diagram.....	33
3 Package Information	34
3.1 QFN40_5X5	34
4 Ordering Information	35
5 Electrical Characteristics	36
5.1 Absolute Maximum Ratings	36
5.2 Global Electrical Characteristics.....	36
5.3 Magnetoresistance Sensor Electrical Characteristics	37
5.4 GPIO Electrical Characteristics	37
5.5 Pre-driver IO Electrical Characteristics	38
5.6 ADC Electrical Characteristics	38
5.7 VREF Electrical Characteristics	39
5.8 Operational Amplifier Electrical Characteristics.....	39
5.9 HALL/BEMF Electrical Characteristics	39
5.10 OSC Electrical Characteristics.....	39
5.11 Reset Electrical Characteristics	40
5.12 LDO Electrical Characteristics	40
5.13 Package Thermal Resistance.....	40

6 Reset Control.....	41
6.1 Reset Source (RST_SR)	41
6.2 Reset Enable.....	41
6.3 External Reset and Power on Reset.....	41
6.4 Low Voltage Detector Reset	41
6.5 Watchdog Timer Reset.....	41
6.6 Flash Error Detector Reset.....	41
6.7 Soft Reset	41
6.8 Reset Register	42
6.8.1 RST_SR (0xC9).....	42
7 Interrupt	43
7.1 Interrupt Introduction.....	43
7.2 Interrupt Enable.....	43
7.3 External Interrupts.....	43
7.4 Interrupt Summary.....	45
7.5 Interrupt Registers	46
7.5.1 IE (0xA8).....	46
7.5.2 IP0 (0xB8).....	46
7.5.3 IP1 (0xC0).....	46
7.5.4 IP2 (0xC8).....	47
7.5.5 IP3 (0xD8)	47
7.5.6 TCON (0x88).....	47
8 I2C	49
8.1 I2C Introduction.....	49
8.2 I2C Operations.....	50
8.2.1 Master Mode	50
8.2.2 Slave Mode	51
8.2.3 I2C Interrupt Sources.....	51
8.3 I2C Registers.....	52
8.3.1 I2C_CR (0x4028)	52
8.3.2 I2C_ID (0x4029)	52
8.3.3 I2C_DR (0x402A).....	52
8.3.4 I2C_SR (0x402B).....	53
9 SPI.....	55
9.1 SPI Introduction.....	55

9.2 SPI Operations	55
9.2.1 SPI Master Mode	55
9.2.1.1 Master Mode Configurations	56
9.2.2 SPI Slave Mode	56
9.2.2.1 Slave Mode Configurations	56
9.2.3 SPI Interrupt Sources	57
9.2.4 SPI Operating Modes	57
9.2.5 Serial Clock Timing.....	58
9.3 SPI Registers.....	60
9.3.1 SPI_CR0 (0x4030).....	60
9.3.2 SPI_CR1 (0x4031).....	60
9.3.3 SPI_CLK (0x4032)	61
9.3.4 SPI_DR (0x4033)	61
10 UART	63
10.1 Introduction	63
10.2 UART Operations.....	63
10.2.1 Mode0	63
10.2.2 Mode1	63
10.2.3 Mode2	64
10.2.4 Mode3	64
10.2.5 UART Interrupt	64
10.3 UART1 Registers.....	65
10.3.1 UT_CR (0x98)	65
10.3.2 UT_DR (0x99).....	65
10.3.3 UT_BAUD (0x9A,0x9B).....	65
10.4 UART2 Registers.....	66
10.4.1 UT2_CR (0x8A).....	66
10.4.2 UT2_DR (0x89).....	66
10.4.3 UT2_BAUD (0x4042,0x4043)	67
11 LIN	68
11.1 LIN Introduction	68
11.2 LIN Slave Mode Operations	68
11.3 Sleep and Wakeup	69
11.4 Error Detection and Handling	69
11.5 Other Matters	70

11.6 LIN Registers	71
11.6.1 LIN_CR(0x40E0)	71
11.6.2 LIN_SR(0x40E1).....	71
11.6.3 LIN_CSR(0x40E2)	72
11.6.4 LIN_ID(0x40E3)	73
11.6.5 LIN_SIZE(0x40E4).....	73
11.6.6 LIN_BAUD(0x40E5,0x40E6)	73
12 MDU.....	74
12.1 MDU Introduction.....	74
12.2 MDU Features	74
12.3 MDU Instructions.....	74
12.3.1 MDU Operations.....	74
12.3.2 16-Bit Signed Multiplication with the Result Shifted Left by One-bit	74
12.3.3 16-Bit Signed Multiplication	75
12.3.4 16-Bit Unsigned Multiplication.....	75
12.3.5 32-Bit/16-Bit Unsigned Division.....	75
12.3.6 Low-Pass Filter	76
12.3.7 Coordinate Transformation (Sin/Cos).....	76
12.3.8 Arctangent	77
12.4 MDU Registers	77
12.4.1 MDU_CR(0xC1)	77
12.4.2 MDU_MD(0xCA).....	78
12.4.3 MDU_A(0xC7,0xC6).....	78
12.4.4 MDU_B(0xC5,0xC4).....	79
12.4.5 MDU_C(0xC3,0xC2).....	79
12.4.6 MDU_D(0xCB)	80
13 PI/PID.....	81
13.1 PI/PID Introduction	81
13.2 PI/PID Features	81
13.3 PI/PID Operations	81
13.4 PI/PID Registers.....	82
13.4.1 PI_CR (0xF9)	82
13.4.2 PIO_KP (0x02E0, 0x02E1)	82
13.4.3 PIO_KI (0x02E2, 0x02E3)	83
13.4.4 PIO_UKMAX (0x02E4, 0x02E5)	84

13.4.5 PIO_UKMIN (0x02E6, 0x02E7)	84
13.4.6 PIO_EK1 (0x02E8, 0x02E9).....	85
13.4.7 PIO_EK (0x02EA, 0x02EB)	85
13.4.8 PIO_UKH (0x02EC, 0x02ED).....	86
13.4.9 PIO_UKL (0x02EE, 0x02EF).....	86
13.4.10 PI1_KP (0x02D0, 0x02D1)	87
13.4.11 PI1_KI (0x02D2, 0x02D3)	87
13.4.12 PI1_UKMAX (0x02D4, 0x02D5)	88
13.4.13 PI1_UKMIN (0x02D6, 0x02D7)	88
13.4.14 PI1_EK1 (0x02D8, 0x02D9).....	89
13.4.15 PI1_EK (0x02DA, 0x02DB)	89
13.4.16 PI1_UKH (0x02DC, 0x02DD)	90
13.4.17 PI1_UKL (0x02DE, 0x02DF).....	90
13.4.18 PI2_KP (0x02BC, 0x02BD)	91
13.4.19 PI2_KI (0x02BE, 0x02BF)	91
13.4.20 PI2_UKMAX (0x02C0, 0x02C1).....	92
13.4.21 PI2_UKMIN (0x02C2, 0x02C3).....	92
13.4.22 PI2_EK1 (0x02C4, 0x02C5)	93
13.4.23 PI2_EK (0x02C6, 0x02C7)	93
13.4.24 PI2_UKH (0x02C8, 0x02C9)	94
13.4.25 PI2_UKL (0x02CA, 0x02CB).....	94
13.4.26 PI2_KD (0x02CC, 0x02CD)	95
13.4.27 PI2_EK2 (0x02CE, 0x02CF).....	95
13.4.28 PI3_KP (0x02A8, 0x02A9).....	96
13.4.29 PI3_KI (0x02AA, 0x02AB)	96
13.4.30 PI3_UKMAX (0x02AC, 0x02AD)	97
13.4.31 PI3_UKMIN (0x02AE, 0x02AF).....	97
13.4.32 PI3_EK1 (0x02B0, 0x02B1)	98
13.4.33 PI3_EK (0x02B2, 0x02B3)	98
13.4.34 PI3_UKH (0x02B4, 0x02B5)	99
13.4.35 PI3_UKL (0x02B6, 0x02B7).....	99
13.4.36 PI3_KD (0x02B8, 0x02B9).....	100
13.4.37 PI3_EK2 (0x02BA, 0x02BB).....	100
14 FOC/SVPWM	101
14.1 FOC/SVPWM Overview	101

14.1.1 FOC/SVPWM Introduction	101
14.1.2 Reference Voltage (VREF) Input	101
14.1.3 PI Controller	102
14.1.4 Coordinate Transformation.....	102
14.1.4.1 Inverse Park Transformation	102
14.1.4.2 Inverse Clarke Transformation.....	103
14.1.4.3 CLARKE Transformation	103
14.1.4.4 PARK Transformation.....	103
14.1.5 SVPWM.....	104
14.1.5.1 Continuous SVPWM	105
14.1.5.2 Discontinuous SVPWM.....	105
14.1.6 Overmodulation	106
14.1.7 Deadtime Compensation	106
14.1.8 Current and Voltage Sampling	106
14.1.8.1 Single-shunt Current Sampling Mode	106
14.1.8.2 Dual/Triple-shunt Current Sampling Mode	108
14.1.8.3 Current Sampling Offset.....	109
14.1.9 Angle Mode.....	109
14.1.9.1 Forced Ramping Angle	109
14.1.9.2 Forced Pulling Angle.....	110
14.1.9.3 Estimator Output Angle	111
14.1.10 Motor Real Time Parameters.....	112
14.1.10.1 Tailwind/headwind Detection	113
14.1.10.2 BEMF Detection	113
14.1.10.3 Motor Power	113
14.1.11 FG Output Generation.....	113
14.2 FOC Registers	114
14.2.1 FOC_CR0 (0x409F).....	114
14.2.2 FOC_CR1 (0x40A0)	114
14.2.3 FOC_CR2 (0x40A1)	115
14.2.4 FOC_TSMIN (0x40A2)	116
14.2.5 FOC_TGLI (0x40A3).....	116
14.2.6 FOC_TBLO (0x40A4)	116
14.2.7 FOC_TRGDLY (0x40A5)	117
14.2.8 FOC_CSO (0x40A6, 0x40A7).....	117

14.2.9 FOC__RTHESTEP (0x40A8, 0x40A9).....	117
14.2.10 FOC_RTHEACC (0x40AA, 0x40AB)	118
14.2.11 FOC_EOMELPF (0x40AA, 0x40AB).....	118
14.2.12 FOC_RTHECNT (0x40AC).....	118
14.2.13 FOC_THECOR (0x40AD)	119
14.2.14 FOC__EMF (0x40AE, 0x40AF).....	119
14.2.15 FOC_THECOMP (0x40AE, 0x40AF)	119
14.2.16 FOC_DMAX (0x40B0, 0x40B1).....	120
14.2.17 FOC_DMIN (0x40B2, 0x40B3)	120
14.2.18 FOC_QMAX (0x40B4, 0x40B5)	120
14.2.19 FOC_QMIN (0x40B6, 0x40B7)	120
14.2.20 FOC__UD (0x40B8, 0x40B9).....	121
14.2.21 FOC__UQ (0x40BA, 0x40BB)	121
14.2.22 FOC__ID (0x40BC, 0x40BD).....	121
14.2.23 FOC__IQ (0x40BE, 0x40BF)	122
14.2.24 FOC__IBET (0x40C0, 0x40C1).....	122
14.2.25 FOC__VBET (0x40C2, 0x40C3).....	122
14.2.26 FOC__VALP (0x40C4, 0x40C5).....	122
14.2.27 FOC_UDCPS (0x40C2, 0x40C3).....	123
14.2.28 FOC_UQCPS (0x40C4, 0x40C5).....	123
14.2.29 FOC__IC (0x40C6, 0x40C7).....	123
14.2.30 FOC__IB (0x40C8, 0x40C9).....	124
14.2.31 FOC__IA (0x40CA, 0x40CB)	124
14.2.32 FOC__THETA (0x40CC, 0x40CD).....	124
14.2.33 FOC__ETHETA (0x40CE, 0x40CF).....	124
14.2.34 FOC__EALP (0x40D0, 0x40D1)	125
14.2.35 FOC__EBET (0x40D2, 0x40D3)	125
14.2.36 FOC__EOME (0x40D4, 0x40D5)	125
14.2.37 FOC__UQEX (0x40D6, 0x40D7)	126
14.2.38 FOC_KFG (0x40D6, 0x40D7).....	126
14.2.39 FOC__POW (0x40D8, 0x40D9).....	126
14.2.40 FOC_EOMEKLPF (0x40D8).....	127
14.2.41 FOC__IAMAX (0x40DA, 0x40DB).....	127
14.2.42 FOC__IBMAX (0x40DC, 0x40DD).....	127
14.2.43 FOC__ICMAX (0x40DE, 0x40DF).....	128

14.2.44 FOC_EFREQMAX (0x406F)	128
14.2.45 FOC_EKP (0x4074, 0x4075)	128
14.2.46 FOC_EKI (0x4076, 0x4077)	128
14.2.47 FOC_EBMFK (0x407C, 0x407D)	129
14.2.48 FOC_KSLIDE (0x4078, 0x4079)	129
14.2.49 FOC_EKLPFMIN (0x407A, 0x407B)	129
14.2.50 FOC_OMEKLPF (0x407E, 0x407F)	130
14.2.51 FOC_FBASE (0x4080, 0x4081)	130
14.2.52 FOC_EFREQACC (0x4082, 0x4083)	130
14.2.53 FOC_EFREQMIN (0x4084, 0x4085)	131
14.2.54 FOC_EFREQHOLD (0x4086, 0x4087)	131
14.2.55 FOC_EK3 (0x4088, 0x4089)	131
14.2.56 FOC_EK4 (0x408A, 0x408B)	132
14.2.57 FOC_EK1 (0x408C, 0x408D)	132
14.2.58 FOC_EK2 (0x408E, 0x408F)	132
14.2.59 FOC_IDREF (0x4090, 0x4091)	133
14.2.60 FOC_IQREF (0x4092, 0x4093)	133
14.2.61 FOC_DQKP (0x4094, 0x4095)	133
14.2.62 FOC_DQKI (0x4096, 0x4097)	133
14.2.63 FOC__UDCFLT (0x4098, 0x4099)	134
15 Timer1	135
15.1 Timer1 Operations	135
15.1.1 Timer Counter Module	136
15.1.1.1 Prescaler	136
15.1.1.2 Base Timer	136
15.1.1.3 Reload Timer	137
15.1.2 Position Detection	138
15.1.2.1 Filtering	138
15.1.2.2 Sampling	139
15.1.3 Position Detection Event	139
15.1.4 Writing Timing Interrupt	140
15.1.5 Timer1 Interrupt	141
15.2 Square-wave Control Based BLDC Motor	141
15.2.1 Six-Step Phase Commutation of Square Wave Control	142
15.2.2 Square Wave Control Working Principle	143

15.2.2.1 60° Commutation Base Time.....	143
15.2.2.2 Forced Commutation at 60°	143
15.2.2.3 Diode Freewheeling Masking	144
15.2.2.4 Angle of Position Detected to Commutation	144
15.2.2.5 Cycle-by-cycle Current Limiting	144
15.3 Timer1 Registers	145
15.3.1 TIM1_CR0 (0x4068)	145
15.3.2 TIM1_CR1 (0x4069)	145
15.3.3 TIM1_CR2 (0x406A)	146
15.3.4 TIM1_CR3 (0x406B)	146
15.3.5 TIM1_CR4 (0x406C)	147
15.3.6 TIM1_IER (0x406D)	147
15.3.7 TIM1_SR (0x406E).....	148
15.3.8 TIM1_BCOR (0x4070, 0x4071).....	149
15.3.9 TIM1_DBR1 (0x4074, 0x4075)	149
15.3.10 TIM1_DBR2 (0x4076, 0x4077)	151
15.3.11 TIM1_DBR3 (0x4078, 0x4079)	152
15.3.12 TIM1_DBR4 (0x4080, 0x4081)	153
15.3.13 TIM1_DBR5 (0x4082, 0x4083)	154
15.3.14 TIM1_DBR6 (0x4084, 0x4085)	155
15.3.15 TIM1_DBR7 (0x4086, 0x40857)	156
15.3.16 TIM1__BCNTR (0x4082, 0x4083)	157
15.3.17 TIM1__BCCR (0x4084, 0x4085)	157
15.3.18 TIM1__BARR (0x4086, 0x4087)	157
15.3.19 TIM1__RARR (0x4088, 0x4089)	158
15.3.20 TIM1__RCNTR (0x408A, 0x408B)	158
15.3.21 TIM1__ITRIP (0x4098, 0x4099).....	158
16 Timer2.....	160
16.1 Timer2 Instructions	160
16.1.1 Prescaler	160
16.1.2 Reading, Writing and Counting of TIM2__CNTR	160
16.1.3 Output Mode	161
16.1.3.1 Reading and Writing of TIM2__ARR/TIM2__DR	161
16.1.3.2 High/Low Level Output	161
16.1.3.3 PWM Generation	161

16.1.3.4 Interrupts	161
16.1.4 Input Signal Filtering and Edge Detection	162
16.1.5 Input Capture Mode	163
16.1.6 Input Counter Mode	164
16.1.7 QEP&RSD Mode.....	165
16.1.7.1 RSD Comparator Sampling	166
16.1.8 Step Mode	166
16.2 TIM2 Registers	168
16.2.1 TIM2_CR0(0xA1)	168
16.2.2 TIM2_CR1(0xA9).....	169
16.2.3 TIM2__CNTR(0xAA,0xAB).....	170
16.2.4 TIM2__DR(0xAC,0xAD)	170
16.2.5 TIM2__ARR(0xAE,0xAF).....	171
17 Timer3/Timer4.....	172
17.1 Timer3/Timer4 Instructions	172
17.1.1 Prescaler	172
17.1.2 Reading, Writing and Counting of TIMx__CNTR.....	172
17.1.3 Output Mode	173
17.1.3.1 High-/Low-level Output Mode	173
17.1.3.2 PWM Generation	173
17.1.3.3 Interrupt Event	173
17.1.4 Input Signal Filtering and Edge Detection	174
17.1.5 Input Capture Mode	174
17.1.6 Timer4 FG Output Mode	175
17.2 Timer3/Timer4 Registers	175
17.2.1 TIMx_CR0(0x9C/0x9E) (x=3/4).....	175
17.2.2 TIMx_CR1(0x9D/0x9F) (x=3/4)	176
17.2.3 TIMx__CNTR(0xA2,0xA3/0x92,0x93) (x=3/4)	177
17.2.4 TIMx__DR(0xA4,0xA5/0x94,0x95) (x=3/4)	178
17.2.5 TIMx__ARR(0xA6,0xA7/0x96,0x97) (x=3/4)	178
18 SysTick	179
18.1 SysTick Instructions	179
18.2 SysTick Registers.....	179
18.2.1 DRV_SR(0x4061)	179
18.2.2 SYST_ARR(0x4064,0x4065).....	180

19 Driver	181
19.1 Driver Instructions	181
19.1.1 Driver Introduction	181
19.1.2 Output Control Module	181
19.1.2.1 Count and Compare Module.....	182
19.1.2.2 Deadtime Module	182
19.1.2.3 Enable and Polarity of Output Signals.....	183
19.1.2.4 MOE.....	184
19.1.2.5 Interrupt.....	184
19.2 Driver Registers.....	185
19.2.1 DRV_CR (0x4062).....	185
19.2.2 DRV_SR(0x4061)	186
19.2.3 DRV_OUT (0xF8)	187
19.2.4 DRV_CMRR(0x405C, 0x405D)	187
19.2.5 DRV_ARR(0x405E,0x405F).....	189
19.2.6 DRV_COMR(0x405A,0x405B)	189
19.2.7 DRV_DR(0x4058,0x4059).....	190
19.2.8 DRV_DTR(0x4060)	190
19.2.9 DRV__CNTR(0x4066,0x4067)	190
20 WDT	192
20.1 WDT Notes.....	192
20.2 WDT Operations.....	192
20.3 WDT Registers.....	192
20.3.1 WDT_CR (0x4026).....	192
20.3.2 WDT_ARR (0x4027)	192
20.3.3 CCFG1 (0x401E)	193
21 RTC	194
21.1 RTC Functional Block Diagram	194
21.2 RTC Operations	194
21.3 RTC Registers	194
21.3.1 RTC_TM (0x402C, 0x402D)	194
21.3.2 RTC_STA (0x402E).....	194
21.4 Clock Calibration	195
21.4.1 Introduction.....	195
21.4.2 Clock Calibration Registers	195

21.4.2.1 CAL_CR0 (0x4044) CAL_CR1 (0x4045).....	195
22 IO.....	197
22.1 IO Introduction.....	197
22.2 IO Instructions.....	197
22.3 IO Registers.....	198
22.3.1 P0_OE (0xFC)	198
22.3.2 P1_OE (0xFD)	198
22.3.3 P2_OE (0xFE).....	198
22.3.4 P3_OE (0xFF).....	198
22.3.5 P4_OE (0xE9)	198
22.3.6 P1_AN (0x4050).....	199
22.3.7 P2_AN (0x4051).....	199
22.3.8 P3_AN (0x4052).....	200
22.3.9 P0_PU (0x4053)	200
22.3.10 P1_PU (0x4054)	200
22.3.11 P2_PU (0x4055)	201
22.3.12 P3_PU (0x4056)	201
22.3.13 P4_PU (0x4057)	201
22.3.14 PH_SEL (0x404C).....	201
22.3.15 PH_SEL1 (0x404D)	202
22.3.16 P0 (0x80)/P1 (0x90)/P2 (0xA0)/P3 (0xB0)/P4(0xE8).....	203
23 ADC.....	204
23.1 ADC Introduction	204
23.2 ADC Block Diagram	204
23.3 ADC Operations.....	205
23.3.1 Sequential Sampling Mode.....	205
23.3.2 Triggered Sampling Mode	206
23.3.3 Output Data Format	206
23.4 ADC Registers.....	208
23.4.1 ADC_CR(0x4039).....	208
23.4.2 ADC_MASK (0x4036~0x4037).....	208
23.4.3 ADC_SCYC (0x4035,0x4038)	209
23.4.4 ADC0_DR (0x0300~0x0301).....	211
23.4.5 ADC1_DR (0x0302~0x0303).....	211
23.4.6 ADC2_DR (0x0304~0x0305).....	212

23.4.7 ADC3_DR (0x0306~0x0307).....	212
23.4.8 ADC4_DR (0x0308~0x0309).....	213
23.4.9 ADC5_DR (0x030A~0x030B)	213
23.4.10 ADC6_DR (0x030C~0x030D)	214
23.4.11 ADC7_DR (0x030E~0x030F).....	214
23.4.12 ADC8_DR (0x0310~0x0311).....	215
23.4.13 ADC9_DR (0x0312~0x0313).....	215
23.4.14 ADC10_DR (0x0314~0x0315).....	216
23.4.15 ADC11_DR (0x0316~0x0317).....	216
23.4.16 ADC12_DR (0x0318~0x0319).....	217
23.4.17 ADC13_DR (0x031A~0x031B)	217
23.4.18 ADC14_DR (0x031C~0x031D)	218
24 DAC.....	219
24.1 DAC Introduction	219
24.2 DAC0 Functional Block Diagram.....	219
24.3 DAC1 Functional Block Diagram.....	220
24.4 DAC Registers.....	221
24.4.1 DAC_CR (0x4035).....	221
24.4.2 DAC0_DR (0x404B)	221
24.4.3 DAC1_DR (0x404A)	221
25 DMA.....	222
25.1 DMA Instructions	222
25.2 DMA Registers.....	222
25.2.1 DMA0_CR0 (0x403A)	222
25.2.2 DMA1_CR0 (0x403B)	224
25.2.3 DMA0_LEN (0x403C)	225
25.2.4 DMA0_BA (0x403E, 0x403F).....	225
25.2.5 DMA1_LEN (0x403D)	226
25.2.6 DMA1_BA (0x4040, 0x4041).....	226
26 VREF.....	227
26.1 VREF Instructions	227
26.2 VREF Register	228
26.2.1 VREF_CR(0x404F)	228
27 VHALF	229
27.1 VHALF Instructions.....	229

27.2 VHALF Register	229
28 Operational Amplifier	230
28.1 Introduction	230
28.2 Operational Amplifier Instructions	230
28.2.1 Bus Current Sampling Operational Amplifier (AMP0)	230
28.2.1.1 AMP0 Normal Mode	230
28.2.1.2 AMP0 PGA Differential Input Mode	231
28.2.2 Phase Current Operational Amplifier (AMP1/AMP2)	231
28.2.2.1 AMP1	231
28.2.2.2 AMP2	232
28.3 Operational Amplifier Registers	232
28.3.1 AMP_CR (0x404E)	232
28.3.2 AMP0_GAIN (0x4034)	232
29 Comparator	234
29.1 Comparator Operations	234
29.1.1 CMP3	234
29.1.1.1 Overcurrent Protection (OCP)	236
29.1.1.2 Cycle-by-cycle Current Limiting	236
29.1.2 CMP4	238
29.1.3 Comparator Group (CMPG)	238
29.1.4 Comparator Sampling	241
29.1.5 Comparator Output	242
29.2 Compare Registers	243
29.2.1 CMP_CR0(0xD5)	243
29.2.2 CMP_CR1(0xD6)	243
29.2.3 CMP_CR2(0xDA)	244
29.2.4 CMP_CR3(0xDC)	246
29.2.5 CMP_CR4(0xE1)	247
29.2.6 CMP_SAMR(0x40AD)	247
29.2.7 CMP_SR(0xD7)	248
29.2.8 EVT_FILT(0xD9)	249
29.2.9 TSD_CR(0x402F)	250
30 Power Supply	251
30.1 LDO	251
30.1.1 LDO Operations	251

30.2 Low Voltage Detector (LVD).....	251
30.2.1 LVD Introduction	251
30.2.2 LVD Operations.....	252
30.2.3 LVD Registers	253
30.2.3.1 LVSR(0xDB)	253
31 Flash.....	254
31.1 Flash Introduction	254
31.2 Flash Operations	254
31.3 Flash Register	255
31.3.1 FLA_CR (0x85)	255
31.3.2 FLA_KEY (0x84).....	255
32 CRC	256
32.1 CRC Functional Block Diagram	256
32.2 CRC16 Polynomial	256
32.3 CRC16 Logic Diagram	256
32.4 CRC Operations	257
32.4.1 CRC Calculation of Single Byte.....	257
32.4.2 CRC Calculation of ROM Sector	257
32.5 CRC Registers	259
32.5.1 CRC_CR (0x4022)	259
32.5.2 CRC_DIN (0x4021)	260
32.5.3 CRC_DR (0x4023).....	260
32.5.4 CRC_BEG (0x4024).....	260
32.5.5 CRC_CNT (0x4025).....	260
33 Sleep Mode	261
33.1 Introduction	261
33.2 Sleep Mode Register	262
33.2.1 PCON (0x87).....	262
34 Code Protection	263
34.1 Introduction	263
34.2 Operating Instructions	263
35 Magnetoresistance Sensor	264
35.1 Introduction	264
35.2 Instructions	264
35.3 Functional Block Diagram	265

35.4 Application Recommendation	266
36 Revision History	267

Explanation of Symbols

- The signal name following "_N" indicates that the signal is active LOW.
- The symbol "[]" following a register indicates a bit in the register. For example, ABCD[XY] indicates the XY bit in ABCD register
- The symbol "x" in a register name indicates similar registers. For example, TIMx_CR0 indicates TIM3_CR0 and TIM4_CR0.
- [m:n] indicates a range of bits. For example, [3:0] means the bits from bit3 to bit0.
- Pm.n indicates the nth port of the Portm. For example, P0.0 indicates the 0th port of Port0.
- Register read and write symbols:
 - R: Read only
 - W: Write only
 - R/W: Read/write
 - W0: Only 0 can be written
 - W1: Only 1 can be written
- The control bit with "reserved" cannot be written. Therefore the read data is meaningless.
- The symbol "-" indicates an uncertainty value.
- When a register contains both R/W and R bits, the default value can be written to the R bit only.
- The RMW instruction cannot be used for registers with different read and written representations.

Abbreviations

ADC: Analog Digital Convertor

BEMF: Back Electromotive Force

BLDC: Brush-Less DC Motor

CRC: Cyclic Redundancy Check

DAC: Digital Analog Convertor

DMA: Direct Memory Access

FOC: Field Oriented Control

I2C: Inter Integrated Circuit

GPIO: General Purpose Input Output

IRAM: Internal RAM

LDO: Low Dropout Regulator

LIN: Local Interconnect Network

LPF: Low Pass Filter

MDU: Multiplication Division Unit

ME: Motor Engine

PI/PID: Proportion Integral Differential

PWM: Pulse width modulation wave

QEP: Quadrature Encoder Pulse

RSD: Rotating State Detection

RTC: Real Time Clock

SFR: Special Function Register

SPI: Serial Peripheral Interface

SVPWM: Space Vector PWM

UART: Universal Asynchronous Receiver/Transmitter

WDT: Watch Dog Timer

XRAM: External RAM

1 System Introduction

1.1 Features

- Power supply:
 - FU6332N
 - ◆ High-voltage single-power supply mode: When VCC_MODE = 0, external power supply 5V~28V is connected to VCC pin and internal LDO supplies VDD5 voltage.
 - ◆ Low-voltage single-power supply mode: When VCC_MODE = 1, external power supply 3V~5.5V is connected to VDD5 pin and VDD5 pin is shorted to VCC pin.
 - ◆ Dual power supply mode: When VCC_MODE = 1, external power supply 1 (5V ~ 36V) is connected to VCC pin and external power supply 2 (5V) is connected to VDD5 pin.
- Dual-core: 8051 core and ME core
- Magnetoresistance sensor with 180° degree angle measurement to sense magnetic field on X-Y plane
- An instruction cycle mostly takes 1 or 2 system clock cycle(s)
- 16kB Flash ROM with CRC, self-program and code protection
- 256 bytes IRAM and 768 bytes XRAM
- ME: Core integrating PID, FOC, MDU and LPF modules
- 16 interrupt sources that are configurable with 4 priority levels
- GPIO:
 - FU6332N: 22 GPIOs
- Timers:
 - Timer1: Timer designed for square-wave motor drive, supporting square-wave drive timing control, automatic commutation and cycle-by-cycle current limiting
 - Timer2: Timer supporting PWM generation, measurement of duty cycle and period of input PWM wave, measurement of the time of set PWM wave numbers and tailwind/headwind detection (RSD)
 - Timer3/Timer4: Timers supporting PWM generation, and measurement of duty cycle and period of input PWM wave.
 - SysTick Timer
 - RTC
- Communication interfaces:
 - 1 SPI
 - 1 I2C
 - 2 UARTs and UART2 supports LIN slave mode
- Dual-channel DMA, supporting I2C, SPI, UART
- Analog peripherals:

- 12-bit ADC, operating with 1 μ s conversion time and internal VREF or external VREF selectable as reference voltage
- Number of ADC channels:
 - ◆ FU6332N: 8
- Built-in VREF, with 3V, 4V, 4.5V or VDD5 as the internal reference
- Built-in VHALF with VREF/2 as the internal reference
- 3 standalone operational amplifiers, where PGA is configurable for AMP0
- 3-channel analog comparator
- DAC: Single-channel 9-bit, single-channel 6-bit
- Built-in MOSFET driver
3P3N pre-driver
- FOC module supports single/dual/triple-shunt current sampling
- Built-in oscillator:
 - 24MHz \pm 2% fast RC oscillator
 - 32.8kHz slow RC oscillator
- Watch-dog
- LVD
- TSD
- Two-wire FICE protocol based in-circuit emulation

1.2 Applications

The chip can be used for the drive of sensorless BLDC motors, single-phase/3-phase induction motors and servo motors in tripod head, gate, electric door, logistics robot, toy car, stage light etc.

1.3 Overview

The high-performance motor drive chip incorporates ME core and 8051 core. ME core integrates FOC, MDU, LPF, PID and SVPWM modules that allow for automatic calculation of FOC or square-wave control by the hardware for sensored/sensorless BLDC motors. 8051 core is used for parameter configuration and routine processing. Most of 8051 core instruction cycle takes 1T or 2T clock cycle(s). The dual cores work in parallel to achieve high-performance motor control. The chip integrates high-speed operational amplifiers, comparators, pre-driver, high-speed ADC, CRC, SPI, I2C, UART, LIN, Timers, built-in high-voltage LDO, which are suitable for FOC or square-wave based BLDC motors.

1.4 System Functional Block Diagram

1.4.1 FU6332N Functional Block Diagram

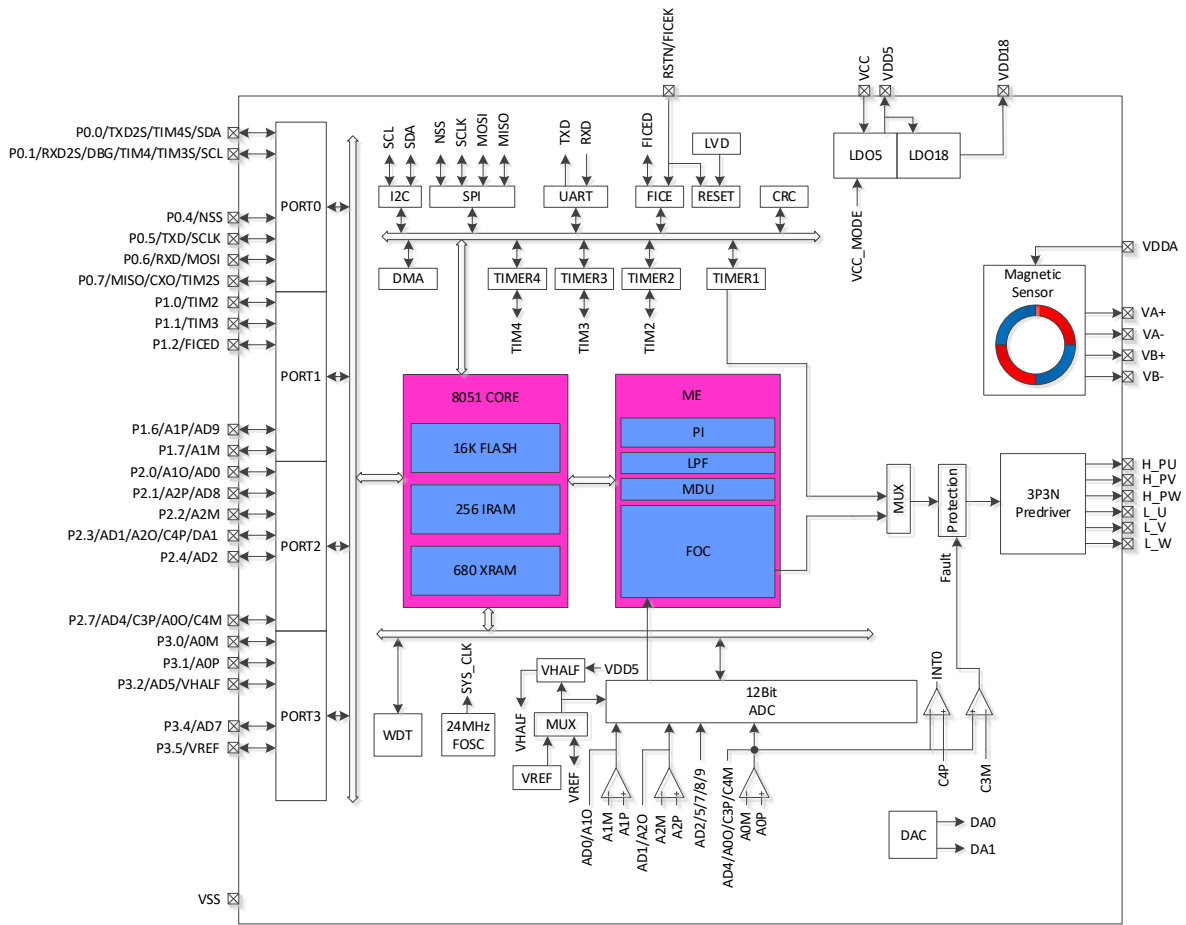


Figure 1-1 FU6332N Functional Block Diagram

1.5 Memory Organization

The internal storage space is divided into Program Memory and Data Memory, which are independently addressed.

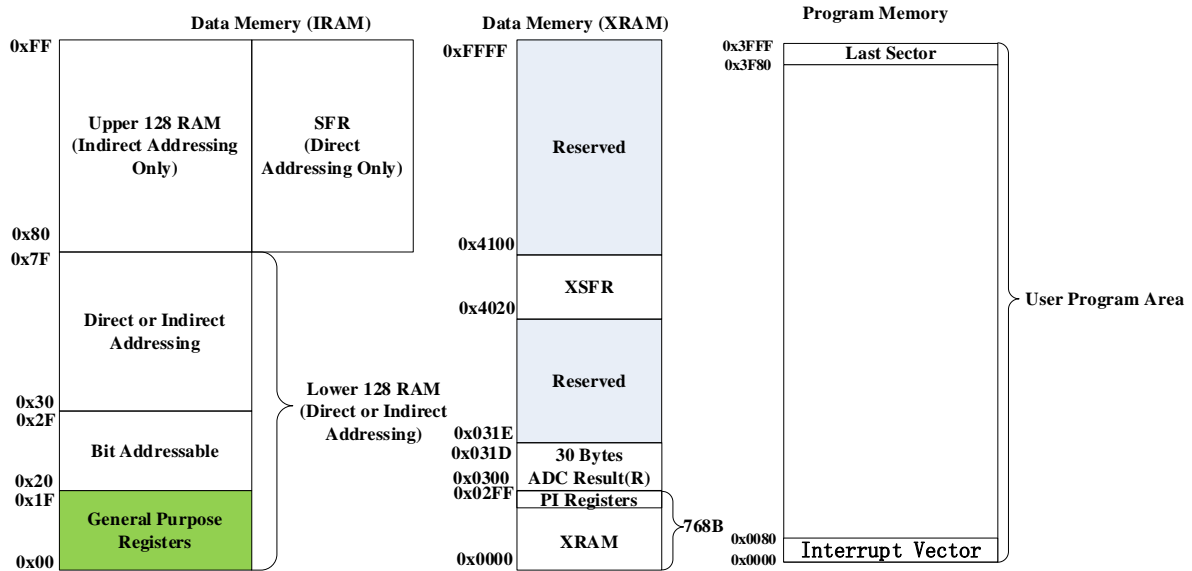


Figure 1-2 Memory Map

1.5.1 Program Memory

The chip implements this program memory as Flash memory with a block from addresses 0x0000 to 0x3FFF to store the control program.

The first sector (0x0000 ~ 0x007F) is the interrupt vector address area, which is used to store the start address of each interrupt subroutine. The last sector (0x3F80 ~ 0x3FFF) contains internal control bits of the chip.

1.5.2 Data Memory

The data memory is divided into External Data Memory and Internal Data Memory, as shown in Figure 1-2.

The External Data Memory is addressed in the range from 0x0000 to 0xFFFF, which can be accessed only with MOVX instructions. It comprises XRAM (0x0000 ~ 0x02A7), extended control register space (0x02A8 ~ 0x02EF, 0x4020 ~ 0x40FF) and ADC result memory area (0x0300 ~ 0x031D). If PI/PID module is not used, the available XRAM space for user programs is 768Bytes; and if it is used, the available XRAM space for user programs is 680Bytes.

The Internal Data Memory is addressed from 0x00 to 0xFF. Locations 0x00 ~ 0x1F are addressable as 4 banks of general purpose registers, each bank consisting of 8 registers, adding up to 32 registers. Locations 0x20 ~ 0x7F are used for general purpose RAM memory, supporting direct and indirect addressing. Locations (0x20 ~ 0x2F) are 16-bit addressable. When locations 0x80 ~ 0xFF are accessed by indirect addressing, it points to RAM. When locations 0x80 ~ 0xFF are accessed by direct addressing, it points to SFR.

1.5.3 SFR

Table 1-1 SFR Address Mapping

Addr	0(8)	1(9)	2(A)	3(B)	4(C)	5(D)	6(E)	7(F)
0xF8	DRV_OUT	PI_CR			P0_OE	P1_OE	P2_OE	P3_OE
0xF0	B							
0xE8	P4	P4_OE						
0xE0	ACC	CMP_CR4						
0xD8	IP3	EVT_FILT	CMP_CR2	LVSR	CMP_CR3			
0xD0	PSW	P1_IE	P1_IF	P2_IE	P2_IF	CMP_CR0	CMP_CR1	CMP_SR
0xC8	IP2	RST_SR	MDU_MD	MDU_D				
0xC0	IP1	MDU_CR	MDU_CL	MDU_CH	MDU_BL	MDU_BH	MDU_AL	MDU_AH
0xB8	IP0							
0xB0	P3							
0xA8	IE	TIM2_CR1	TIM2__CNT RL	TIM2_CNTRH	TIM2_DRL	TIM2_DRH	TIM2__ARR L	TIM2__ARRH
0xA0	P2	TIM2_CR0	TIM3__CNT RL	TIM3_CNTRH	TIM3_DRL	TIM3_DRH	TIM3__ARR L	TIM3__ARRH
0x98	UT_CR	UT_DR	UT_BAUDL	UT_BAUDH	TIM3_CR0	TIM3_CR1	TIM4_CR0	TIM4_CR1
0x90	P1		TIM4__CNT RL	TIM4_CNTRH	TIM4_DRL	TIM4_DRH	TIM4__ARR L	TIM4__ARRH
0x88	TCON	UT2_DR	UT2_CR					
0x80	P0	SP	DPL	DPH	FLA_KEY	FLA_CR		PCON

Notes:

- Registers with the 4th low-order bit as 0 or 8 can be accessed by bit addressing.
- Registers containing the symbol “__” are 16-bit registers, which shall be read using variables. The value will be incorrect when the register is read directly.

1.5.4 XSFR

Table 1-2 XSFR Address Mapping

Addr	0(8)	1(9)	2(A)	3(B)	4(C)	5(D)	6(E)	7(F)
0x40e0	LIN_CR	LIN_SR	LIN_CSR	LIN_ID	LIN_SIZE	LIN_BAUDH	LIN_BAUDL	
0x40d8	FOC_POW H/ FOC_EOME KLPF	FOC_POWL	FOC_IAMAXH	FOC_IAMAXL	FOC_IBMAXH	FOC_IBMAXL	FOC_ICMAXH	FOC_ICMAX L
0x40d0	FOC_EALP H	FOC_EALPL	FOC_EBETH	FOC_EBETL	FOC_EOMEH	FOC_EOMEL	FOC_UQEXH/ FOC_KFGH	FOC_UQEXL / FOC_KFGL
0x40c8	FOC_IBH	FOC_IBL	FOC_IAH	FOC_IAL	FOC_THETAH	FOC_THETAL	FOC_ETHETAH	FOC_ETHET AL
0x40c0	FOC_IBET H	FOC_IBETL	FOC_VBETH/ FOC_UDCPSH	FOC_VBETL/ FOC_UDCPSL	FOC_VALPH/ FOC_UQCPSH	FOC_VALPL/ FOC_UQCPSL	FOC_ICH	FOC_ICL
0x40b8	FOC_UDH	FOC_UDL	FOC_UQH	FOC_UQL	FOC_IDH	FOC_IDL	FOC_IQH	FOC_IQL
0x40b0	FOC_DMAX H	FOC_DMAXL	FOC_DMINH	FOC_DMINL	FOC_QMAXH	FOC_QMAXL	FOC_QMINH	FOC_QMINL
0x40a8	FOC_RTHER STEPH	FOC_RTHES TEPL	FOC_RTHERACCH FOC_EOMELPFH	FOC_RTHERACCL FOC_EOMELPFL	FOC_RTHERCNT	FOC_THERCOR/ CMP_SAMR	FOC_THERCOMP	FOC_THERCO MPL
0x40a0	FOC_CR1	FOC_CR2	FOC_TSMIN	FOC_TGLI	FOC_TBLO	FOC_TRGDLY	FOC_CSOH	FOC_CSOL
0x4098	FOC_UDCF LTH/ TIM1_ITRIP H	FOC_UDCFL TL/ TIM1_ITRIPL						FOC_CR0

Addr	0(8)	1(9)	2(A)	3(B)	4(C)	5(D)	6(E)	7(F)
0x4090	FOC_IDREF H/	FOC_IDREFL/	FOC_IQREFH/	FOC_IQREFL/	FOC_DQKPH/	FOC_DQKPL/	FOC_DQKIH/	FOC_DQKIL/
0x4088	FOC_EK3H/	FOC_EK3L/	FOC_EK4H/	FOC_EK4L/	FOC_EK1H/	FOC_EK1L/	FOC_EK2H/	FOC_EK2L/
	TIM1__RAR RH	TIM1__RARRL	TIM1__RCNTRH	TIM1__RCNTRL				
0x4080	FOC_FBASE H/	FOC_FBASEL/	FOC_EFREQACCH/	FOC_EFREQACCL/	FOC_EFREQMINH/	FOC_EFRQMIN L/	FOC_EFREQHOL DH/	FOC_EFREQH OLDL/
	TIM1_DBR7 H	TIM1_DBR7L	TIM1__BCNTRH	TIM1__BCNTRL	TIM1__BCCRH	TIM1__BCCRL	TIM1__BARRH	TIM1__BARR L
0x4078	FOC_KSLID EH/	FOC_KSLIDEL /	FOC_EKLPFMINH/	FOC_EKLPFMINL/	FOC_EBMFKH/	FOC_EBMFKL/	FOC_OMEKLPFH/	FOC_OMEKLP FL/
	TIM1_DBR3 H	TIM1_DBR3L	TIM1_DBR4H	TIM1_DBR4L	TIM1_DBR5H	TIM1_DBR5L	TIM1_DBR6H	TIM1_DBR6L
0x4070	TIM1_BCOR H	TIM1_BCORL			FOC_EKPH/	FOC_EKPL/	FOC_EKIH/	FOC_EKIL/
					TIM1_DBR1H	TIM1_DBR1L	TIM1_DBR2H	TIM1_DBR2L
0x4068	TIM1_CR0	TIM1_CR1	TIM1_CR2	TIM1_CR3	TIM1_CR4	TIM1_IER	TIM1_SR	
0x4060	DRV_DTR	DRV_SR	DRV_CR		SYST_ARRH	SYST_ARRL	DRV__CNTRH	DRV__CNTRL
0x4058	DRV_DRH	DRV_DRL	DRV_COMRH	DRV_COMRL	DRV_CMRH	DRV_CMRL	DRV_ARRH	DRV_ARRL
0x4050	P1_AN	P2_AN	P3_AN	P0_PU	P1_PU	P2_PU	P3_PU	P4_PU
0x4048			DAC1_DR	DAC_DR	PH_SEL	PH_SEL1	AMP_CR	VREF_VHALF _CR
0x4040	DMA1_BAH	DMA1_BAL	UT2_BAUDL	UT2_BAUDH	CAL_CR0	CAL_CR1		
0x4038	ADC_SCYC	ADC_CR	DMA0_CR0	DMA1_CR0	DMA0_LEN	DMA1_LEN	DMA0_BAH	DMA1_BAL
0x4030	SPI_CR0	SPI_CR1	SPI_CLK	SPI_DR	AMP0_GAIN	DAC_CR	ADC_MASK_SYS CH	ADC_MASK_S YSCL
0x4028	I2C_CR	I2C_ID	I2C_DR	I2C_SR	RTC_TMH	RTC_TML	RTC_STA	TSD_CR

Addr	0(8)	1(9)	2(A)	3(B)	4(C)	5(D)	6(E)	7(F)
0x4020		CRC_DIN	CRC_CR	CRC_DR	CRC_BEG	CRC_CNT	WDT_CR	WDT_ARR
0x4018								
0x4010								
0x4008								
0x4000								
0x0318	AD12_DRH	AD12_DRL	AD13_DRH	AD13_DRL	AD14_DRH	AD14_DRH	--	--
0x0310	AD8_DRH	AD8_DRL	AD9_DRH	AD9_DRL	AD10_DRH	AD10_DRL	AD11_DRH	AD11_DRL
0x0308	AD4_DRH	AD4_DRL	AD5_DRH	AD5_DRL	AD6_DRH	AD6_DRL	AD7_DRH	AD7_DRL
0x0300	AD0_DRH	AD0_DRL	AD1_DRH	AD1_DRL	AD2_DRH	AD2_DRL	AD3_DRH	AD3_DRL
0x02f8								
0x02f0								
0x02e8	PI0_EK1		PI0_EK		PI0_UKH		PI0_UKL	
0x02e0	PI0_KP		PI0_KI		PI0_UKMAX		PI0_UKMIN	
0x02d8	PI1_EK1		PI1_EK		PI1_UKH		PI1_UKL	
0x02d0	PI1_KP		PI1_KI		PI1_UKMAX		PI1_UKMIN	
0x02c8	PI2_UKH		PI2_UKL		PI2_KD		PI2_EK2	
0x02c0	PI2_UKMAX		PI2_UKMIN		PI2_EK1		PI2_EK	
0x02b8	PI3_KD		PI3_EK2		PI2_KP		PI2_KI	
0x02b0	PI3_EK1		PI3_EK		PI3_UKH		PI3_UKL	
0x02a8	PI3_KP		PI3_KI		PI3_UKMAX		PI3_UKMIN	

Notes: Registers containing the symbol “_” are 16-bit registers, which shall be read using variables. The value will be incorrect when the register is read directly.

2 Pin Definitions

The I/O types are defined as follows:

- DI = Digital Input
- DO = Digital Output
- DB = Digital Bidirectional
- AI = Analogue Input
- AO = Analogue Output
- P = Power Supply

2.1 FU6332N QFN40 Pins

Table 2-1 FU6332N QFN40 Pin Descriptions

Pin	FU6332N QFN40	IO Type	Description
VDDA	39	P	Power supply of angle sensor, which is usually connected to VDD5
VDDA	40	P	Power supply of angle sensor, which is usually connected to VDD5
VA-	1	AO	Negative differential sine output of angle sensor
VB-	2	AO	Negative differential cosine output of angle sensor
VSS	3	P	Ground
VB+	4	AO	Positive differential cosine output of angle sensor
VA+	5	AO	Positive differential sine output of angle sensor
H_PU	6	DO	Pre-driver U-phase high side output in 3P3N mode, with built-in 47k Ω Pull-up Resistor
H_PV	7	DO	Pre-driver V-phase high side output in 3P3N mode, with built-in 47k Ω Pull-up Resistor
H_PW	8	DO	Pre-driver W-phase high side output in 3P3N mode, with built-in 47k Ω Pull-up Resistor
L_U	9	DO	Pre-driver U-phase low side output in 3P3N mode, with built-in 25k Ω pull-down resistor
L_V	10	DO	Pre-driver V-phase low side output in 3P3N mode, with built-in 25k Ω pull-down resistor
L_W	11	DO	Pre-driver W-phase low side output in 3P3N mode, with built-in 25k Ω pull-down resistor

Pin	FU6332N QFN40	IO Type	Description
VCC	12	P	<p>Power supply. The range of the input voltage is determined by the power supply mode VCC_MODE with a 10μF or larger capacitor.</p> <ul style="list-style-type: none"> ■ High-voltage single power supply mode: When VCC_MODE = 0, external power supply 5V~28V is connected to VCC pin, and the internal LDO supplies VDD5 voltage ■ Low-voltage single power supply mode: When VCC_MODE = 1, external power supply 3V ~ 5.5V is connected to VDD5 pin which is shorted to VCC pin ■ Dual power supply mode When VCC_MODE = 1, external power supply 1 (5V ~ 36V) is connected to VCC pin, and external power supply 2 (5V) is connected to VDD5 pin
VSS	13	P	Ground
VDD5	14	P	<p>Mid-voltage power input or internal 5V LDO power output; Determined by VCC_MODE; Power connection is shown in descriptions on VCC pin; With an external 1~4.7μF or above capacitor.</p> <p>Mid-voltage power input or internal 5V LDO power output; Determined by VCC_MODE</p> <p>When VCC_MODE = 0, internal LDO outputs 5V power supply. When VCC_MODE = 1, 3 ~ 5.5V external power is supplied.</p>
RSTN/ FICEK	15	DI/ DI	Input of external reset, with built-in Pull-up Resistor; Schmidt input FICE SCL terminal
VDD18	16	P	Output of 1.8V LDO, with an external 1 μ F ~ 4.7 μ F capacitor
P1.2/ FICED	17	DB/ DB	GPIO P1.2 FICE SDA terminal
P1.6/ A1P/ AD9/	18	DB/ AI/ AI/	GPIO P1.6 AMP1 positive input Input of ADC channel 9
P1.7/ A1M	19	DB/ AI	GPIO P1.7 AMP1 negative input
P2.0/ AD0/ A1O	20	DB/ AI/ AO	GPIO P2.0 Input of ADC channel 0 AMP1 output
P2.1/ A2P/ AD8/ HAL2S	21	DB/ AI/ AI/ DI	GPIO P2.1 AMP2 positive input Input of ADC channel 8 Digital input of Hall-IC2 after functional switching
P2.2/ A2M	22	DB/ AI	GPIO P2.2 AMP2 negative input

Pin	FU6332N QFN40	IO Type	Description
P2.3/ AD1/ A2O/ C4P/ DA1	23	DB/ AI/ AO/ AI/ DO	GPIO P2.3 Input of ADC channel 1 AMP2 output CMP4 positive input DAC1 output , without buffer output
P2.4/ AD2	24	DB/ AI	GPIO P2.4 Input of ADC channel 2, used for bus voltage sampling
P2.7/ AD4/ C3P/ A0O/ C4M	25	DB/ AI/ AI/ AO/ AI	GPIO P2.7 Input of ADC channel 4, used for bus current sampling CMP3 positive input AMP0 output CMP4 negative input
P3.0/ A0M	26	DB/ AI	GPIO P3.0 AMP0 negative input
P3.1/ A0P	27	DB/ AI	GPIO P3.1 AMP0 positive input
P3.2/ AD5/ VHALF	28	DB/ AI/ AO	GPIO P3.2 Input of ADC channel 5 VREF/2 output, with a 1 μ F capacitor
P3.4/ AD7	29	DB AI	GPIO P3.4 Input of ADC channel 7
P3.5/ VREF	30	DB/ AI	GPIO P3.5 Input of ADC external VREF, or output of internal VREF, with an external 1 μ F ~ 4.7 μ F capacitor
P0.0/ TIM4S TXD2S/ SDA	31	DB/ DB/ DO/ DB	GPIO P0.0 Timer4 input/output after functional switching UART2 TXD or LIN TXD after functional switching I2C SDA, configured as collector open drain output. A 4.7K Pull-up Resistor can be configured.
P0.1/ RXD2S/ DBG/ TIM4/ TIM3S/ SCL	32	DB/ DI/ DO/ DB/ DB/ DB	GPIO P0.1 UART2 RXD or LIN RXD after functional switching Output of debug signal Timer4 input/output before functional switching Timer3 input capture mode after functional switching I2C SCL, configured as collector open drain output. A 4.7K Pull-up Resistor can be configured.
P0.4/ NSS	33	DB/ DB	GPIO P0.4 SPI NSS
P0.5/ TXD/ SCLK	34	DB/ DO/ DB	GPIO P0.5 UART1 TXD before functional switching SPI SCLK

Pin	FU6332N QFN40	IO Type	Description
P0.6/ RXD/ MOSI	35	DB/ DI/ DB	GPIO P0.6 UART1 RXD before functional switching SPI_MOSI; Master mode output or slave mode input
P0.7/ MISO/ CXO/ TIM2S/	36	DB/ DB/ DO/ DB/ DI	GPIO P0.7 SPI_MISO; Master mode input or slave mode output Output of comparator test signal Timer2 input capture mode or PWM mode output after functional switching
P1.0/ TIM2/	37	DB/ DB/	GPIO P1.0 Timer2 input capture mode or PWM mode output before functional switching
P1.1/ TIM3	38	DB/ DB	GPIO P1.1 Timer3 input/output

2.2 FU6332N QFN40 Pinout Diagram

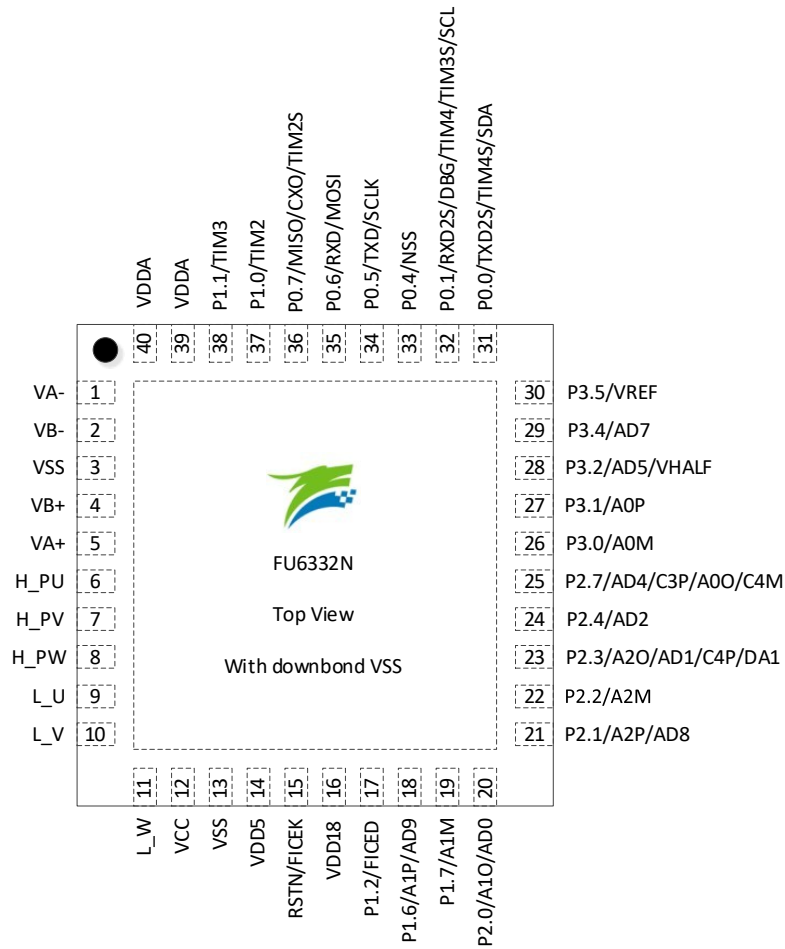


Figure 2-1 FU6332N QFN40 Pinout Diagram

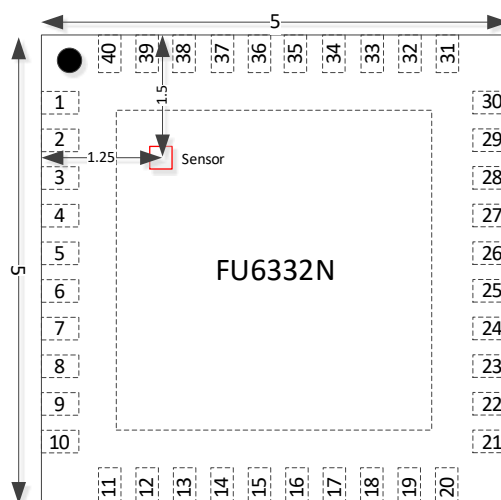


Figure 2-2 Location of the Sensor (unit: mm)

3 Package Information

3.1 QFN40_5X5

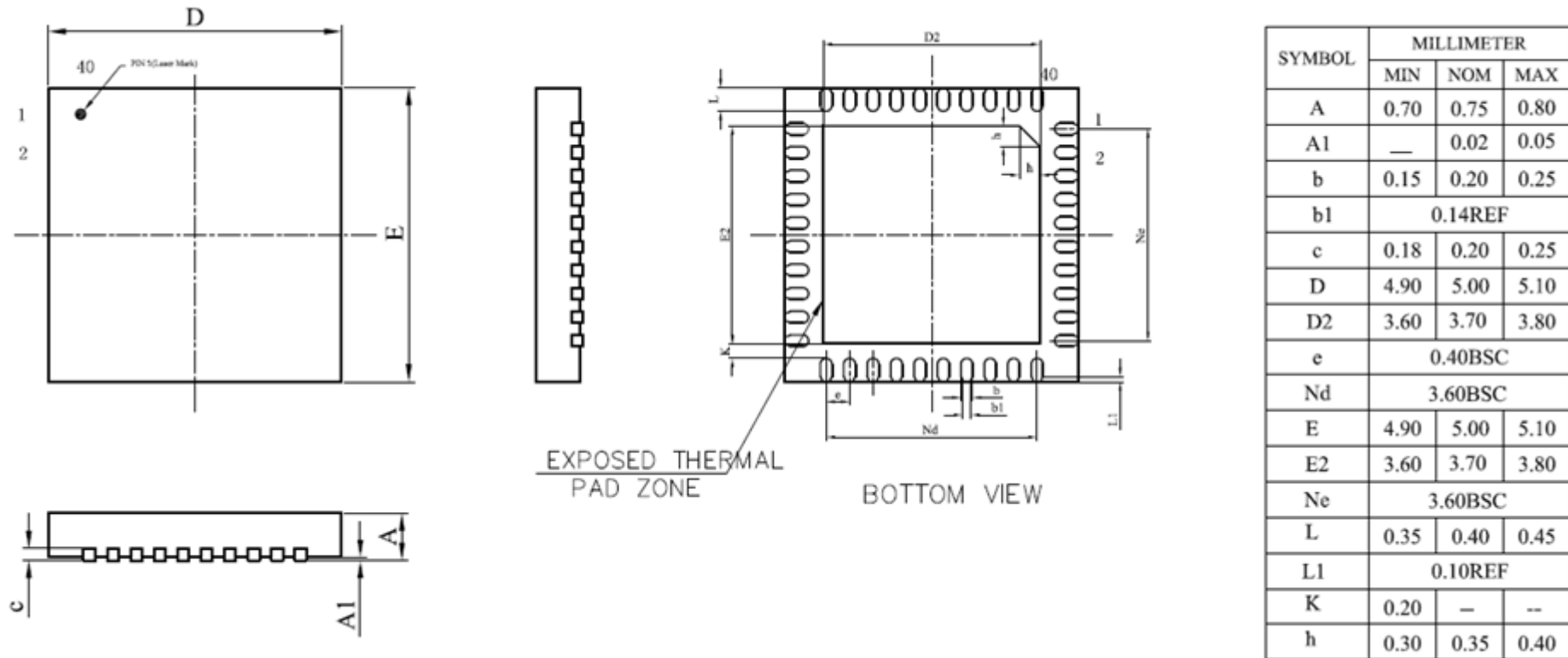


Figure 3-1 QFN40 5mm X 5mm Package Outline Dimensions

4 Ordering Information

Table 4-1 Model Options

Model	MIPS(Peak)	FLASH(kByte)	XRAM(Byte)	Clock Circuits				Drive Interface			Drive Type			I2C/UART/SPI/LIN	DMA	GPIO	Timer	Analogue Peripherals							Lead-free	Package	
				Internal Fast Clock	External Fast Clock	Internal Slow Clock	External Slow Clock	6N Pre-driver	3P3N Pre-driver	Gate Driver	Square wave	Sine Wave	FOC					ADC			DAC		VREF	Operational Amplifier			Comparator
																		Number	Channel	Bits	Number	Bits					
FU6332N	24	16	768	✓	—	✓	—	—	✓	—	✓	—	✓	✓	23	6	1	9	12	2	9\6	✓	3	4	✓	QFN40 (5x5 mm)	

5 Electrical Characteristics

5.1 Absolute Maximum Ratings

Table 5-1 Absolute Maximum Ratings

Parameter	Test Conditions	Min.	Typ.	Max.	Unit
Operating Ambient Temperature T_A		-40	—	85	°C
Operating Junction Temperature T_J		-40	—	150	°C
Storage Temperature		-65	—	150	°C
VCC to VSS		-0.3	—	36	V
VDD5 to VSS		-0.3	—	6.5	V
RSTN, GPIO to VSS		-0.3	—	VDD5+0.3	V

Notes: Exceeding the values listed in Table 5-1 may permanently damage the chip. These are stress ratings only, and functional operation of the device outside of the parameters specified in the “Electrical Characteristics” section is not implied. Exposure to "Absolute Maximum Ratings" for extended periods may affect device reliability.

5.2 Global Electrical Characteristics

Table 5-2 Global Electrical Characteristics

($T_A = 25^\circ\text{C}$, VCC = 5V ~ 28V unless otherwise specified)

Parameter	Test Conditions	Min.	Typ.	Max.	Unit
Operating Voltage VCC ^[3]	High-voltage single power supply mode	5	—	28	V
	Dual power supply mode ^[2] VCC MODE=1, VCC ≥ VDD5	5	—	36	V
Operating Voltage VDD5	VCC connected to VDD5 ^[2]	3	—	5.5	V
System Clock		—	24	—	MHz
Operating Current I_{VCC}	[1]	—	20	—	mA
Standby Current I_{VCC}	[1]	—	6	—	mA
Sleep Current I_{VCC}		—	50	150	uA

Notes:

[1] Characteristics may vary with different configurations.

[2] VDD5 must be clamped at 5 ~ 5.5V when Flash memory is written or erased.

[3] VCC voltage rise rate ranges from 0.5V/μs ~ 0.1V/s depending on sample batches.

5.3 Magnetoresistance Sensor Electrical Characteristics

Table 5-3 Magnetoresistance Sensor Electrical Characteristics

 ($T_A = 25^\circ\text{C}$ unless otherwise specified)

Parameter	Test Conditions	Min.	Typ.	Max.	Unit
Power Supply VDDA/VDDB		1.0	5.0	25.0	V
Resistance (R)	Bridge Current = 1mA The two bridges are connected in parallel.	800	1000	1200	Ω
Angle Range	Larger than saturation field	0		180	Deg
Sensitivity	VDDA=5V, Magnetic Field = 80G Near the zero output		2.1		mV/ $^\circ$
Output Voltage Amplitude Vamp	VDDA=5V, Magnetic Field = 80G Peak-to-peak Value	100	120	140	mV
Zero Offset of Bridge	Magnetic Field = 80G	-3	0	+3	mV/V
Temperature Coefficient of Bridge Resistance (TCR)	VDDA=5V -40~+125		2800		ppm/ $^\circ\text{C}$
Temperature Coefficient of Sensitivity (TCS)	VDDA=5V -40~+125		-3200		ppm/ $^\circ\text{C}$
Temperature Coefficient of Bridge Offset (TCO)	-40~+125		± 100		ppm/ $^\circ\text{C}$
Matching Rate of Bridge	(Vamp-A/Vamp-B)*100	97	100	103	%

5.4 GPIO Electrical Characteristics

Table 5-4 GPIO Electrical Characteristics

 ($T_A = 25^\circ\text{C}$, VCC = 5V ~ 28V unless otherwise specified)

Parameter	Test Conditions	Min.	Typ.	Max.	Unit
Output Rise Time	Time for output rise from 10% to 90% at 50pF load, $T_A = 25^\circ\text{C}$	—	15	—	ns
Output Fall Time	Time for output voltage drop from 90% to 10% at 50pF load, $T_A = 25^\circ\text{C}$	—	13	—	ns
Output High V_{OH}	$I_{OH}=4\text{mA}$	VDD5-0.7	—	—	V
Output Low V_{OL}	$I_{OL}=8\text{mA}$	—	—	VSS+0.7	V
Input High V_{IH}	[1]	0.7*VDD5	—	—	V
Input Low V_{IL}		—	—	0.2*VDD5	V
Pull-up Resistor; GPIOs except P0[2:0], P1[6:3], P2[1] and P3[7:6]		—	33	—	k Ω
Pull-up Resistor; P0[2:0], P1[6:3], P2[1] and P3[7:6]		—	5.6	—	k Ω
Pull-down Resistor; P01/P11		—	10	—	k Ω

Note:

 [1] When VDD5 = 5V, the minimum value of V_{IH} is 0.6*VDD5.

5.5 Pre-driver IO Electrical Characteristics

Table 5-5 Pre-driver IO Electrical Characteristics

($T_A = 25^\circ\text{C}$, $V_{CC} = 15\text{V}$, $V_{CC_MODE} = 0$ unless otherwise specified)

Parameter	Test Conditions	Min.	Typ.	Max.	Unit
High Side Output Source Current		—	150	—	mA
High Side Output Sink Current		—	90	—	mA
Low Side Output Source Current		—	150	—	mA
Low Side Output Sink Current		—	180	—	mA
Rise Time of High Side Output	1nF Load, from 10% to 90%	—	25	—	ns
Fall Time of High Side Output	1nF Load, from 90% to 10%	—	90	—	ns
Rise Time of Low Side Output	1nF Load, from 10% to 90%	—	115	—	ns
Fall Time of Low Side Output	1nF Load, from 90% to 10%	—	60	—	ns

5.6 ADC Electrical Characteristics

Table 5-6 ADC Electrical Characteristics

($T_A = 25^\circ\text{C}$, $V_{CC} = 5\text{V} \sim 28\text{V}$ unless otherwise specified)

Parameter	Test Conditions	Min.	Typ.	Max.	Unit
INL (Integral Nonlinearity)	12-bit	—	2	—	LSB
DNL (Differential Nonlinearity)	12-bit	—	1.5	—	LSB
OFFSET (Offset Error)	12-bit	—	6	—	LSB
SNR (Signal-to-noise Ratio)	$f_{IN} = 350\text{kHz}$	—	70.8	—	dB
ENOB (Effective Number of Bits)	$f_{IN} = 350\text{kHz}$	—	10.5	—	Bit
SFDR (Spurious-free Dynamic range)	$f_{IN} = 350\text{kHz}$	—	68.2	—	dB
THD (Total Harmonic Distortion)	$f_{IN} = 350\text{kHz}$	—	67	—	dB
R_{IN} (Input Resistance)		—	800	—	Ω
C_{IN} (Input Capacitance)		—	30	—	pF
Conversion Time		—	13	—	ADCLK
Sampling Time		3	—	63	ADCLK

Note: ADCLK = 12MHz

5.7 VREF Electrical Characteristics

Table 5-7 VREF Electrical Characteristics

 ($T_A = -40 \sim 85^\circ\text{C}$, $V_{CC} = 5\text{V} \sim 28\text{V}$)

Parameter	Test Conditions	Min.	Typ.	Max.	Unit
VREF	VREFVSEL=00	—	4.5	—	V
	VREFVSEL=01	—	VDD5	—	V
	VREFVSEL=11	—	4	—	V
	VREFVSEL=10	—	3	—	V
VHALF		—	VREF/2	—	V

5.8 Operational Amplifier Electrical Characteristics

Table 5-8 Operational Amplifier Electrical Characteristics

 ($T_A = 25^\circ\text{C}$, $V_{CC} = 5\text{V} \sim 28\text{V}$ unless otherwise specified)

Parameter	Test Conditions	Min.	Typ.	Max.	Unit
Common-mode Input Voltage Range V_{ICMR}		0	—	VDD5-1.5	V
Operational Amplifier Offset Voltage V_{OS}	$T_A = 25^\circ\text{C}$	—	5	10	mV
Open-loop Gain A_{OL}	$R_L = 100\text{k}\Omega$	—	80	—	dB
Unity-gain Bandwidth (UGBW)	$C_L = 40\text{pF}$	6	10	—	MHz
Slew Rate (SR)	$C_L = 40\text{pF}$	10	15	—	V/uS

5.9 HALL/BEMF Electrical Characteristics

Table 5-9 HALL/BEMF Electrical Characteristics

 ($T_A = 25^\circ\text{C}$, $V_{CC} = 5\text{V} \sim 28\text{V}$ and $V_{CC_MODE} = 0$ unless otherwise specified)

Parameter	Test Conditions	Min.	Typ.	Max.	Unit
BEMF Built-in Resistor		5.4	6.8	8.2	k Ω
Relative Accuracy between BEMF Built-in Resistors		—	1	—	%

5.10 OSC Electrical Characteristics

Table 5-10 OSC Electrical Characteristics

 ($T_A = -40^\circ\text{C} \sim 85^\circ\text{C}$, $V_{CC} = 5\text{V} \sim 28\text{V}$, $V_{CC_MODE} = 0$)

Parameter	Test Conditions	Min.	Typ.	Max.	Unit
High-speed Frequency		23.5	24	24.5	MHz
Low-speed Frequency		29	32.8	37	kHz

Note: The frequencies of the built-in OSC are the test values of the factory.

5.11 Reset Electrical Characteristics

Table 5-11 Reset Electrical Characteristics

($T_A = 25^\circ\text{C}$, $V_{CC} = 5\text{V} \sim 28\text{V}$, $V_{CC_MODE} = 0$ unless otherwise specified)

Parameter	Test Conditions	Min.	Typ.	Max.	Unit
Minimum Time for FICEK Pin to Reset		50			us
VDD5 Reset Threshold	Reset Voltage LVR = 2.8V	2.6	2.8	3.0	V
	Reset Voltage LVR = 3.0V	2.8	3.0	3.2	V
	Reset Voltage LVR = 3.5V	3.3	3.5	3.7	V
	Reset Voltage LVR = 3.8V	3.6	3.8	4.0	V

5.12 LDO Electrical Characteristics

Table 5-12 LDO Electrical Characteristics

($T_A = 25^\circ\text{C}$, $V_{CC} = 5\text{V} \sim 28\text{V}$ and $V_{CC_MODE} = 0$ unless otherwise specified)

Parameter	Test Conditions	Min.	Typ.	Max.	Unit
VDD5 Voltage	$V_{CC} = 7\text{V} \sim 28\text{V}$, $V_{CC_MODE} = 0$	4.7	5	5.3	V
VDD18 Voltage		1.65	1.85	2.0	V

5.13 Package Thermal Resistance

Table 5-13 QFN40 Package Thermal Resistance

Parameter	Test Conditions	Value	Unit
Thermal Resistance θ_{JA} of Junction Temperature to Ambient Temperature ^[1]	[1], [3]	40	$^\circ\text{C}/\text{W}$
	[2], [3]	66	$^\circ\text{C}/\text{W}$
Thermal Resistance θ_{JC} of Junction Temperature to Case Temperature ^[1]	[1], [3]	12	$^\circ\text{C}/\text{W}$

Notes:

[1] JEDEC standard, 2S2P PCB

[2] JEDEC standard, 1S0P PCB

[3] The actual measurements may vary depending on the conditions.

6 Reset Control

6.1 Reset Source (RST_SR)

The chip includes a reset circuitry with 7 reset sources:

- Power on reset (RSTPOW)
- External pin reset (RSTEXT)
- Low voltage detector reset (RSTLVD)
- Watchdog timer reset (RSTWDT)
- Flash error detector reset (RSTFED)
- Debug reset (RSTDBG)
- Soft reset (SOFTR)

Reset flag bits can be searched from register RST_SR. Following the last reset, the affected reset flag is set to “1” and all other reset flags are cleared to “0”. To clear a reset flag, you can set RST_SR[RSTCLR] to “1” so that RST_SR[7:3] & RST_SR[0] are cleared.

6.2 Reset Enable

Refer to the corresponding control registers. The reset sources for LVD and WDT are always enabled.

6.3 External Reset and Power on Reset

The chip resets when RSTN pin remains low for 50 μ s. After the reset, MCU implements the program from address 0.

The chip resets when the chip powers on and the voltage settles above the reset voltage threshold V_{RST} . After the reset, MCU operates normally.

6.4 Low Voltage Detector Reset

The chip’s internal circuitry monitors VDD. When VDD5 voltage drops to a level below V_{RST} , the internal monitor circuitry sends a reset signal to reset the chip.

Configuring corresponding register enables low voltage monitor circuitry and sets V_{RST} .

6.5 Watchdog Timer Reset

After the watchdog timer (WDT) is enabled, if WDT reaches its maximum value, it generates an output pulse to reset the chip, which ensures the software runs normally.

6.6 Flash Error Detector Reset

The Flash memory can be programmed by software using the MOVX instruction for read/write/erase operations. A Flash error detector reset (RSTFED) occurs if a Flash erase is attempted targeting the last sector (0x3F80 ~ 0x3FFF). RSTFED is always enabled and cannot be disabled.

6.7 Soft Reset

The chip resets immediately when RST_SR[SOFTR] is set to “1”. After the reset, the flag RST_SR[SOFTR]

is set to “1”.

6.8 Reset Register

6.8.1 RST_SR (0xC9)

Bit	7	6	5	4	3	2	1	0
Name	RSTPOW / RSTCLR	RSTEXT	RSTLVD	RSV	RSTWDT	RSTFED	RSTDBG	SOFTR
Type	R/W	R	R	R	R	R	R	R/W
Reset	X	X	X	X	X	X	X	X
Bit	Name	Description						
[7]	RSTPOW / RSTCLR	Power-On Reset Flag Read: 0: Last reset is not a power-on reset. 1: Last reset is a power-on reset. Write: 0: No effect. 1: RST_SR[7:3]&RST_SR[0] are cleared to 0.						
[6]	RSTEXT	External RST Pin Reset Flag 0: Last reset is not an RST pin reset. 1: Last reset is an RST pin reset.						
[5]	RSTLVD	Low Voltage Detection (LVD) Reset Flag 0: Last reset is not an LVD reset. 1: Last reset is an LVD reset.						
[4]	RSV	Reserved						
[3]	RSTWDT	WDT Reset Flag 0: Last reset is not a WDT reset. 1: Last reset is a WDT reset.						
[2]	RSTFED	Flash Error Detector Reset Flag 0: Last reset is not a Flash error detector reset. 1: Last reset is a Flash error detector reset.						
[1]	RSTDBG	Debug Reset Flag 0: Last reset is not a debug reset. 1: Last reset is a debug reset.						
[0]	SOFTR	Soft Reset Flag Read: 0: Last reset is not a soft reset. 1: Last reset is a soft reset. Write: 0: No effect. 1: A soft reset is generated.						

7 Interrupt

7.1 Interrupt Introduction

The chip includes an interrupt system with a total of 16 interrupt sources. Each interrupt source can be individually programmed in IP0 ~ IP3 registers with one of four priority levels. Interrupt flags (IF) are located in an SFRs or XSFRs. The associated IF is set by the hardware to “1” when the internal circuitry or an external source meets the interrupt conditions. If $IE[EA] = 1$ and both the associated interrupt EA and IF bits are set to “1”, an interrupt request is generated and sent to CPU. If no other interrupt service routine (ISR) of greater priority is currently being serviced, the system enters interrupt state to service the requesting ISR.

Each interrupt source except the Reset Interrupt can be assigned a priority level. A low priority interrupt can be preempted by a high priority interrupt. The low priority interrupt will not be serviced until the ISR for the high priority interrupt completes. An interrupt will not be preempted by another of the same priority level. Each interrupt source can be individually configured to one of four priority levels in the Interrupt Priority (IP) register. Priority level assigned ascends from 0 to 3 and is defaulted to 0. If two interrupt requests are generated at the same time, the interrupt with the higher priority is serviced first. If two interrupt sources have the same priority, a fixed priority order is used to arbitrate. See Table 7-2 Interrupt Summary for the interrupt sources and default priority orders, where the lower the mark the higher the priority level.

7.2 Interrupt Enable

$IE[EA]$ is the global interrupt enable bit. The MCU does not respond to any interrupt request when $IE[EA] = 0$.

Each interrupt source can be individually enabled or disabled by configuring the corresponding interrupt enable bit in an SFR or XSFR. When the enable bit of the global interrupt or an interrupt is cleared, the interrupt flag that is set to “1” is held in a pending state. Once the enable bit is set to “1”, MCU immediately enters the interrupt subroutine. Therefore, make sure to clear corresponding interrupt flag bit before enabling the interrupt.

7.3 External Interrupts

The external interrupt has 2 interrupt sources: INT0 and INT1.

The digital input signals from P0.0 ~ P0.6 and output signals from CMP4 can be used to trigger an INT0. The interrupt source is selected through $LVS[EXT0CFG]$ bit. These trigger sources share one interrupt entry point, one interrupt flag bit $TCON[IF0]$ and one interrupt enable bit $IE[EX0]$. $TCON[IT0]$ bit selects the interrupt edge. $IP0[PX0]$ bit configures the priority level.

The digital input signals from P1.0 ~ P1.7 and P2.0 ~ P2.7 can be used to trigger an INT1. $P1_IF$ and $P2_IF$ are interrupt flag bits, and $P1_IE$ and $P2_IE$ are interrupt enable bits. Each trigger source has a corresponding interrupt flag bit and an interrupt enable bit. INT1 can select multiple trigger sources that are recognized by $P1_IF$ and $P4_IF$ in the interrupt subroutine. These 16 interrupt sources share one interrupt entry and one interrupt enable bit $IE[EX1]$. To enable INT1, first set $IE[EX1]$ to “1” and then configure the

corresponding enable bit. The interrupt edge is configured by TCON[IT1] bit, and the priority level by IP0[PX1] bit.

Table 7-1 INT1 Interrupt Flag & Enable Registers

SFR Addr	Bit	Name	Description	R/W	Reset
0xD1	[7:0]	P1IE[7:0]	Port1 INT1 Enable 0: Disable 1: Enable	R/W	0x00
0xD2	[7:0]	P1IF[7:0]	Port1 INT1 flag Read: 0: No interrupt pending 1: Interrupt pending Write: 0: Clear the corresponding bit to 0 1: No effect	R/W	0x00
0xD3	[7:0]	P2IE[7:0]	Port2 INT1 Enable 0: Disable 1: Enable	R/W	0x00
0xD4	[7:0]	P2IF[7:0]	Port2 INT1 flag Read: 0: No interrupt pending 1: Interrupt pending Write: 0: Clear the corresponding bit to 0 1: No effect	R/W	0x00

7.4 Interrupt Summary

Table 7-2 Interrupt Summary

Interrupt Source	Priority Order	Vector Address	Interrupt Flag	Cleared by Software?	Interrupt Enable Bit	Priority Control
Reset	Highest	0x0000	None	N	Always enable	Highest
LVW Interrupt/ TSD Interrupt	0	0x0003	LVSR[0]/ TCON[5]	Y	CCFG1[6]/ IE[1]	IP0[1:0]
INT0	1	0x01	TCON[2]	Y	IE[0]	IP0[3:2]
INT1	2	0x0013	P1IF[7:0]/ P2IF[7:0]	Y	IE[2]	IP0[5:4]
FG Interrupt/ DRV Compare Match Interrupt	3	0x001B	DRV_SR[5:4]	Y	DRV_SR[3]/ DRV_SR[2:0]	IP0[7:6]
Timer2 Interrupt	4	0x0023	TIM2_CR1[7:5]	Y	TIM2_CR1[4:3]/ TIM2_CR0[3]	IP1[1:0]
Timer1 Interrupt	5	0x002B	TIM1_SR[4:0]	Y	TIM1_IER[4:0]	IP1[3:2]
ADC Interrupt	6	0x0033	ADC_CR[0]	Y	ADC_CR[1]	IP1[5:4]
CMP0/1/2 Interrupt	7	0x003B	CMP_SR[6:4]	Y	CMP_CR0[5:0]	IP1[7:6]
RTC Interrupt	8	0x0043	RTC_STA[6]	Y	IE[6]	IP2[1:0]
Timer3 Interrupt	9	0x004B	TIM3_CR1[7:5]	Y	TIM3_CR1[4:3]/ TIM3_CR0[3]	IP2[3:2]
Systick Interrupt	10	0x0053	DRV_SR[7]	Y	DRV_SR[6]	IP2[5:4]
Timer4 Interrupt	11	0x005B	TIM4_CR1[7:5]	Y	TIM4_CR1[4:3]/ TIM4_CR0[3]	IP2[7:6]
CMP3 Interrupt	12	0x0063	CMP_SR[7]	Y	CMP_CR0[7:6]	IP3[1:0]
I2C Interrupt/ UART1 Interrupt	13	0x006B	I2C_SR[0]/ UT_CR[1:0]	Y	I2C_CR[0]/ IE[4]	IP3[3:2]
SPI Interrupt/ UART2 Interrupt/ LIN Interrupt	14	0x0073	SPI_CR1[7]/ UT2_CR[1:0]/ LIN_SR[7:5]/ LIN_SR[2:0]/ LIN_CSR[3]	Y	IE[3]/ UT2_BAUDH[5]/ LIN_CR[3]	IP3[5:4]
DMA Interrupt	15	0x007B	DMA0_CR0[0]/ DMA1_CR0[0]	Y	DMA0_CR0[2]	IP3[7:6]

7.5 Interrupt Registers

7.5.1 IE (0xA8)

Bit	7	6	5	4	3	2	1	0
Name	EA	RTCIE	RSV	ES0	SPIIE	EX1	TSDIE	EX0
Type	R/W	R/W	R	R/W	R/W	R/W	R/W	R/W
Reset	0	0	0	0	0	0	0	0
Bit	Name	Description						
[7]	EA	Enable All Interrupts 0: Disable 1: Enable						
[6]	RTCIE	RTC Interrupt Enable 0: Disable 1: Enable						
[5]	RSV	Reserved						
[4]	ES0	UART1 Interrupt Enable 0: Disable 1: Enable						
[3]	SPIIE	SPI Interrupt Enable 0: Disable 1: Enable						
[2]	EX1	INT1 Interrupt Enable 0: Disable 1: Enable						
[1]	TSDIE	TSD Interrupt Enable 0: Disable 1: Enable						
[0]	EX0	INT0 Interrupt Enable 0: Disable 1: Enable						

7.5.2 IP0 (0xB8)

Bit	7	6	5	4	3	2	1	0
Name	PDRV		PX1		PX0		PLVW_TSD	
Type	R/W	R/W	R/W	R/W	R/W	R/W	R/W	R/W
Reset	0	0	0	0	0	0	0	0
Bit	Name	Description						
[7:6]	PDRV	FG/DRV Comparison Match Interrupt Priority Control						
[5:4]	PX1	INT1 Interrupt Priority Control						
[3:2]	PX0	INT0 Interrupt Priority Control						
[1:0]	PLVW_TSD	LVW/TSD Interrupt Priority Control						

Note: Priority level assigned ascends from 0 to 3, totaling 4 levels

7.5.3 IP1 (0xC0)

Bit	7	6	5	4	3	2	1	0
Name	PCMP		PADC		PTIM1		PTIM2	
Type	R/W	R/W	R/W	R/W	R/W	R/W	R/W	R/W
Reset	0	0	0	0	0	0	0	0
Bit	Name	Description						

[7:6]	PCMP	CMP0/1/2 Interrupt Priority Control
[5:4]	PADC	ADC Interrupt Priority Control
[3:2]	PTIM1	Timer1 Interrupt Priority Control
[1:0]	PTIM2	Timer2 Interrupt Priority Control

Note: Priority level assigned ascends from 0 to 3, totaling 4 levels.

7.5.4 IP2 (0xC8)

Bit	7	6	5	4	3	2	1	0
Name	PTIM4		PSYSTICK		PTIM3		PRTC	
Type	R/W	R/W	R/W	R/W	R/W	R/W	R/W	R/W
Reset	0	0	0	0	0	0	0	0

Bit	Name	Description
[7:6]	PTIM4	Timer4 Interrupt Priority Control
[5:4]	PSYSTICK	Systick Interrupt Priority Control
[3:2]	PTIM3	Timer3 Interrupt Priority Control
[1:0]	PRTC	RTC Interrupt Priority Control

Note: Priority level assigned ascends from 0 to 3, totaling 4 levels.

7.5.5 IP3 (0xD8)

Bit	7	6	5	4	3	2	1	0
Name	PDMA		PSPI_UT2		PI2C_UT1		PCMP3	
Type	R/W	R/W	R/W	R/W	R/W	R/W	R/W	R/W
Reset	0	0	0	0	0	0	0	0

Bit	Name	Description
[7:6]	PDMA	DMA Interrupt Priority Control
[5:4]	PSPI_UT2	SPI/UART2/LIN Interrupt Priority Control
[3:2]	PI2C_UT1	I2C/UART1 Interrupt Priority Control
[1:0]	PCMP3	CMP3 Interrupt Priority Control

Note: Priority level assigned ascends from 0 to 3, totaling 4 levels.

7.5.6 TCON (0x88)

Bit	7	6	5	4	3	2	1	0
Name	RSV		TSDIF	IT1		IF0	IT0	
Type	R	R	R/W	R/W	R/W	R/W	R/W	R/W
Reset	0	0	0	0	0	0	0	0

Bit	Name	Description
[7:6]	RSV	RSV
[5]	TSDIF	TSD Interrupt Flag 0: No interrupt pending 1: Interrupt pending A write of "0" by software clears this bit to "0". This flag is often used with the over-temperature status bit (TSDIF). TSDIF indicates that an over-temperature status has occurred.
[4:3]	IT1[1:0]	INT1 Trigger Level Selection 0b00: Interrupt on rising edge

		0b01: Interrupt on falling edge 0b1x: Interrupt on level change (rising or falling)
[2]	IF0	INT0 Interrupt Flag 0: No interrupt pending 1: Interrupt pending. A write of “0” by software clears this bit to “0”.
[1:0]	IT0[1:0]	INT0 Trigger Level Selection 0b00: Interrupt on rising edge 0b01: Interrupt on falling edge 0b1x: Interrupt on level change (rising or falling)

8 I2C

8.1 I2C Introduction

The I2C module provides an industry standard two-wire serial interface and is a simple bi-directional synchronous serial bus for communication between MCU and external I2C devices as shown in Figure 8-1. The bus consists of two serial lines: SDA and SCL. P0.0 serves as SDA port and P0.1 as SCL port. P0.0 and P0.1 automatically shifts into open-drain outputs when I2C is enabled. The internal Pull-up Resistor is enabled when P0_PU[1:0]=1. If necessary, an external Pull-up Resistor can be connected.

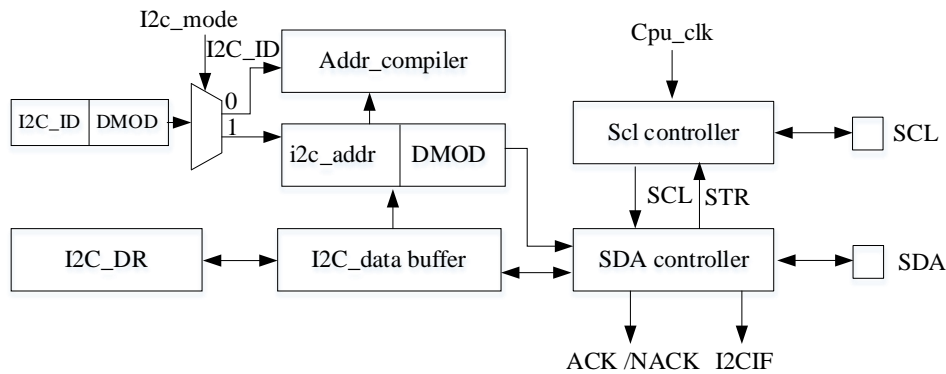


Figure 8-1 I2C Block Diagram

Features:

- Supports standard mode (up to 100 kHz), fast mode (up to 400 kHz) and fast plus mode (up to 1 MHz)
- Supports master mode and slave mode
- Supports 7-bit address mode and general call address mode
- Supports DMA data transfer, effectively reducing CPU load

Both SDA and SCL lines are high level when the bus is idle, which is the only basis for detecting whether the bus is idle or not. Only one master device and at least one slave device are active on the bus during the transmission. When the bus is occupied, other devices must wait for the bus idle to start an I2C communication. The master starts the bus to transfer data. Clock signal is sent to all devices via SCL and the slave address and read/write mode are sent via SDA. When a device on the bus matches the address, it acts as a slave. The relationships between masters and slaves or data transfer direction on the bus are not constant. The process for the master to send data to the slave is shown in Figure 8-2. The master first addresses the slave device and waits for the slave response. And then, it sends data to the slave. Finally, the master terminates the data transmission. The process for the master to receive data from the slave is shown in Figure 8-3. The master first addresses the slave and waits for the slave response. And then, it receives the data from the slave. Finally, the master terminates the data transmission. In this case, the master generates the timing clock and stops the data transmission.

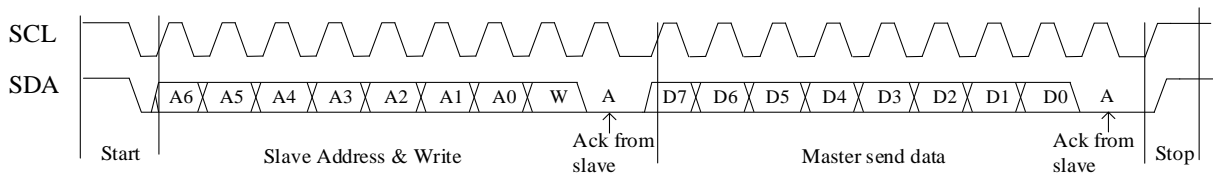


Figure 8-2 Master Transmits Data to Slave

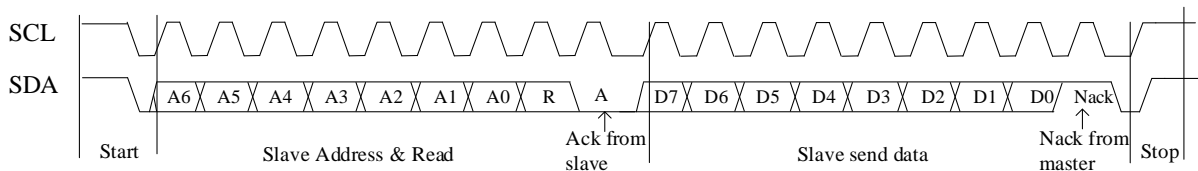


Figure 8-3 Master Receives Data from Slave

The I2C module operates in either master mode or slave mode, with the speed up to 1MHz. After configurations, each device is identified by its unique address and I2C communication is implemented by start signal (STA), read/write signal (DMOD), bus pending signal (STR), acknowledgement signal (NACK) and stop signal (STP).

8.2 I2C Operations

8.2.1 Master Mode

1. Set I2C_CR[I2CMS] to “1” to select master mode;
2. Configure I2C_CR [I2CSPD] to set the clock rate of SCL;
3. Configure I2C_ID[I2CADD] to set the slave address;
4. Configure I2C_SR[DMOD] to set the read/write direction;
5. Set I2C_CR[I2CEN] to “1” to enable I2C;
6. Set I2C_SR[I2CSTA] to “1” to transmit START and address. After ACK/NACK is received, I2C_SR[STR] is set to “1” by hardware and SCL is pulled LOW by the master;
7. Data Transmission: Write the data to I2C_DR register. The master starts to transmit data when I2C_SR[STR] is reset and SCL is released. After the data is transmitted and ACK/NACK is received, I2C_SR[STR] is set to “1” by hardware and SCL is pulled LOW by the master;
8. Data Reception: The master starts to receive data when I2C_SR[STR] is reset and SCL is released. After the data is received, I2C_SR[STR] is set to “1” by hardware and SCL is pulled LOW by the master. Configure ACK/NACK via I2C_SR[NACK], and then clear I2C_SR[STR] to release SCL to transmit ACK/NACK signal. After the data is received, I2C_SR[STR] is set to “1” by hardware and SCL is pulled LOW by the master;
9. Stop Communication: Set I2C_SR[I2CSTP] to “1” when I2C_SR[STR] is “1”. Stop signal is sent after I2C_SR[STR] is reset.

8.2.2 Slave Mode

1. Set I2C_CR[I2CMS] to “0” to select slave mode;
2. Configure I2C_ID[I2CADD] to set the slave address or set I2C_ID[GC] to “1” to enable general call mode;
3. Set I2C_CR[I2CEN] to “1” to enable I2C;
4. After START signal and the correct address are received, I2C_SR[I2CSTA] and I2C_SR[STR] are set to “1” by hardware and SCL is pulled LOW by the slave. ACK/NACK is configured via I2C_SR[NACK] and the slave determines whether to receive or send the data via I2C_SR[DMOD].
5. Data Transmission: Write the data to I2C_DR register and clear I2C_SR[STR] to release SCL. The data is sent after ACK/NACK is transmitted. After the data is sent and ACK/NACK is received from the master, I2C_SR[STR] is set by hardware to “1” and SCL is pulled LOW by the slave
6. Data Reception: Clear I2C_SR[STR] to release SCL to receive data. After the data is received, I2C_SR[STR] is set to “1” by hardware and SCL is pulled LOW by the slave. ACK/NACK is configured via I2C_SR[NACK] to reset I2C_SR[STR] to release SCL for ACK/NACK transmission. If new data is received, I2C_SR[STR] is set by hardware to “1” and SCL is pulled LOW by the slave.
7. RESTART: If the slave is processing a service when receiving START signal, it halts the current routine and waits for receiving address.

8.2.3 I2C Interrupt Sources

The interrupt sources of I2C include:

- If I2C_SR[STR] = 1, the interrupt source is valid in both master and slave modes.
- If I2C_SR[I2CSTP] = 1, this interrupt source is only valid in slave mode.

When the interrupt enable bit I2C_CR[I2CIE] is set to “1”, I2C module generates an interrupt request.

8.3 I2C Registers

8.3.1 I2C_CR (0x4028)

Bit	7	6	5	4	3	2	1	0
Name	I2CEN	I2CMS	RSV			I2CSPD1	I2CSPD0	I2CIE
Type	R/W	R/W	R	R	R	R/W	R/W	R/W
Reset	0	0	0	0	0	0	0	0
Bit	Name	Description						
[7]	I2CEN	I2C Enable 0: Disable 1: Enable Enable the corresponding GPIO and switch to I2C mode, serving as collector open-drain output. The pull-up setting decides whether to pull the I2C HIGH.						
[6]	I2CMS	Master/slave Mode Selection 0: Slave mode 1: Master mode						
[5:3]	RSV	Reserved						
[2:1]	I2CSPD	I2C transfer rate settings, valid only in master mode 00: 100kHz 01: 400kHz 10: 1MHz 11: Reserved						
[0]	I2CIE	I2C Interrupt Enable 0: Disable 1: Enable						

8.3.2 I2C_ID (0x4029)

Bit	7	6	5	4	3	2	1	0
Name	I2CADD							GC
Type	R/W	R/W	R/W	R/W	R/W	R/W	R/W	R/W
Reset	1	0	1	0	1	0	1	0
Bit	Name	Description						
[7:1]	I2CADD	I2C Address Read: The address received from the master Write: Local slave address						
[0]	GC	Broadcast call, valid only in Slave Mode 0: General call is disabled 1: General call is enabled, namely, i.e., the receiving device also reads an ACK at address 0x00.						

8.3.3 I2C_DR (0x402A)

Bit	7	6	5	4	3	2	1	0
Name	I2C_DR							
Type	R/W	R/W	R/W	R/W	R/W	R/W	R/W	R/W
Reset	0	0	0	0	0	0	0	0
Bit	Name	Description						

[7:0]	I2C_DR	I2C Data Register Read: Data to be sent or received Write: Data to be sent
-------	--------	--

8.3.4 I2C_SR (0x402B)

Bit	7	6	5	4	3	2	1	0
Name	I2CBSY	DMOD	RSV	I2CSTA	I2CSTP	STR	NACK	I2CIF
Type	R	R/W	—	R/W	R/W	R/W0	R/W	R
Reset	0	0	—	0	0	0	0	0

Bit	Name	Description															
[7]	I2CBSY	<p>I2C Busy Flag I2C_SR[I2CBSY] is cleared to “0” by hardware when I2C_CR[I2CEN] is set to 0.</p> <p>Master Mode: This bit is set to “1” by hardware after START is sent, and cleared to “0” by hardware after STOP is sent.</p> <p>Slave Mode: This bit is set to “1” by hardware after START is received and address matches, and cleared to “0” by hardware after STOP is received.</p>															
[6]	DMOD	<p>I2C R/W flag Master Mode: 0: WRITE (master sends the data, slave receives the data) 1: READ (master receives the data, slave sends the data)</p> <p>Slave Mode (read only): 0: WRITE (master sends the data, slave receives the data) 1: READ (master receives the data, slave sends the data)</p>															
[5]	RSV	Reserved															
[4]	I2CSTA	<p>Master mode: When this bit is configured with “1” by the software, START and address bytes are transmitted after both SCL and SDA are HIGH confirmed by the hardware. This bit is cleared to “0” by hardware automatically when the transmission is completed, and I2C_SR[I2CSTA] writing is forbidden during data transmission. After the data is sent or received, I2C_SR[I2CSTA] is set to “1” to transmit RESTART. When I2C_SR[I2CSTA] is set to “0”, this bit is automatically cleared to “0” 0: Not START and address 1: Send START or RESTART and address</p> <p>Slave Mode: This bit is set to “1” after hardware receives START and address matches, and cleared to “0” by software. If hardware receives START but address does not match, I2C_SR[I2CSTA] is not set to “1” and the subsequent data is ignored until the next START is received.</p> <p>Table 8-1 Relationship between I2C_SR[I2CSTA/I2CSTP] and I2C Data Type</p> <table border="1"> <thead> <tr> <th>I2CSTA</th> <th>I2CSTP</th> <th>I2C Data Type</th> </tr> </thead> <tbody> <tr> <td>0</td> <td>0</td> <td>Data byte</td> </tr> <tr> <td>0</td> <td>1</td> <td>STOP</td> </tr> <tr> <td>1</td> <td>0</td> <td>START + address</td> </tr> <tr> <td>1</td> <td>1</td> <td>STOP received first, then START + address bytes</td> </tr> </tbody> </table> <p>Note: When I2C_CR[I2CEN] is “0”, I2C_SR[I2CSTA] is automatically cleared to “0”.</p>	I2CSTA	I2CSTP	I2C Data Type	0	0	Data byte	0	1	STOP	1	0	START + address	1	1	STOP received first, then START + address bytes
I2CSTA	I2CSTP	I2C Data Type															
0	0	Data byte															
0	1	STOP															
1	0	START + address															
1	1	STOP received first, then START + address bytes															
[3]	I2CSTP	<p>Master Mode: This bit cannot be written to “1” by software unless I2C_SR[I2CBSY] = 1. STOP is transmitted after I2C_SR[STR] is cleared to release SCL. After the transmission, this bit is cleared to “0” automatically by hardware. If I2CSTA and I2CSTP are written to “1” at the</p>															

		<p>same time and I2C_SR[I2CBSY] is “1”, I2C first sends STOP, then START and address bytes. After START and address bytes are transmitted, I2C_SR[STR] is set to “1” by hardware. I2C_SR[I2CSTP] writing is forbidden during data transmission. When I2C_CR[I2CEN] is “0”, this bit is automatically cleared to “0”.</p> <p>0: STOP is not transmitted. 1: STOP is transmitted.</p> <p>Slave Mode: This bit is set to “1” by hardware after STOP is received, and cleared to “0” by software. Refer to Table 8-1 for status flags.</p> <p>Note: When I2C_CR[I2CEN] is “0”, I2C_SR[I2CSTP] is automatically cleared to “0” by hardware.</p>
[2]	STR	<p>I2C Bus Pending Flag This bit is set to “1” by hardware and cleared to “0” by software. When I2C_SR[I2CEN] = 0, I2C_SR[STR] is automatically cleared to “0”.</p> <p>Master Mode: After START and address or DATA byte are transmitted, I2C_SR[STR] are set to “1” by hardware and SCL is pulled LOW. SCL is released after I2C_SR[STR] is cleared by software. When both I2C_SR[I2CSTA] and I2C_SR[I2CSTP] are “1”, I2C_SR[STR] is set to “1” only after hardware sends STOP and START & address bytes.</p> <p>Slave mode: After DATA byte is received or START receives and address matches, I2C_SR[STR] is set to “1” and SCL is pulled LOW. SCL is released after I2C_SR[STR] is cleared by software.</p>
[1]	NACK	<p>This bit refers to the feedback from a receiver to a sender after a byte is transferred via I2C. It is automatically cleared to “0” when I2C_SR[I2CEN] = 0.</p> <p>0: ACK, indicating that the receiver can continue to receive data 1: NACK, indicating that the receiver attempts to stop data transmission</p> <p>When the master is in read mode (I2C_CR[I2CMS]=1 and I2C_SR[DMOD]=1), and the slave in write mode (I2C_CR[I2CMS]=0 and I2C_SR[DMOD]=0), I2C_SR[NACK] is configured to send ACK/NACK after the 8th bit of data is received.</p> <p>0: Bit9 sends ACK 1: Bit9 sends NACK</p> <p>When the master is in write mode (I2C_CR[I2CMS]=1 and I2C_SR[DMOD]=0), and the slave in read mode (I2C_CR[I2CMS]=0 and I2C_SR[DMOD]=1), I2C_SR[NACK] is read to receive ACK/NACK after the 8th bit of data is sent..</p> <p>0: Bit9 receives ACK 1: Bit9 receives NACK</p>
[0]	I2CIF	<p>I2C Interrupt Flag. The data is transmitted via I2C this bit is cleared..</p> <p>0: No interrupt pending 1: Interrupt pending</p> <p>Master Mode: If I2C_SR[STR] = 1, this bit is set to “1”. Otherwise it is set to “0”.</p> <p>Slave Mode: If I2C_SR[I2CSTP] = 1 or I2C_SR[STR] = 1, this bit is set to “1”; Otherwise, it is set to “0”.</p>

9 SPI

9.1 SPI Introduction

SPI provides access to a high-speed, full-duplex synchronous serial bus. SPI can operate as a master/slave in 3/4-wire mode, and supports multiple masters and slaves on a single SPI bus. The four signals for SPI are MOSI, MISO, SCLK, and NSS.

The MOSI signal is an output from a master device and an input to slave devices.

The MISO signal is an output from a slave device and an input to the master device. The MISO pin is placed in a high-impedance state when the SPI module is disabled or when the SPI operates in 4-wire mode as a slave that is not selected.

The SCLK signal is the clock signal of SPI and the reference transmission signal for data signal. SCLK is generated by SPI operating as a master.

The NSS signal is the gating signal of SPI devices. When SPI operates in 3-Wire Mode, NSS is disabled, and NSS port is the general-purpose I/O pin. When SPI operates in Slave Mode, NSS port can be configured as an input to detect NSS signals from the master device. When SPI operates in Single Master/Slave Mode, NSS signal of the master can be configured as an output to enable SPI of the slave. When SPI operates in Multi-Master Mode, NSS is enabled as an input. In this mode, a particular SPI master function is disabled to prevent SPI bus collision where two or more masters simultaneously initiate data transfer. When SPI operates in Single Master and Multi-slave Mode, multiple addressed slave devices can be selected using general-purpose I/O pins.

9.2 SPI Operations

9.2.1 SPI Master Mode

When $SPI_CR0[SPIMS] = 1$, SPI operates in master mode, which provides SCLK signal for the bus. In this mode, SPI controls the data transfer depending on whether the shift register is empty. When the data is written to SPI_DR, it is firstly written to the transmit buffer and $SPI_CR1[TXBMT]$ is cleared to “0”. If the shift register is empty, the data in the transmit buffer will be transferred to the shift register for the transmission. SCK module outputs clock signal, and the master SPI begins its transmission by driving the MSB of the shift register on its MOSI pin. After the transmission is completed, $SPI_CR1[SPIIF]$ and $SPI_CR1[TXBMT]$ are set to 1. The data in the shift register is that received by MISO, which is transferred to the receive buffer. The data from SPI_DR is that of the receive buffer. If the data is written to SPI_DR when $SPI_CR1[TXBMT]$ is “0”, the write conflict flag bit $SPI_CR1[WCOL]$ is set to “1” and the data in the transmit buffer keeps unchanged.

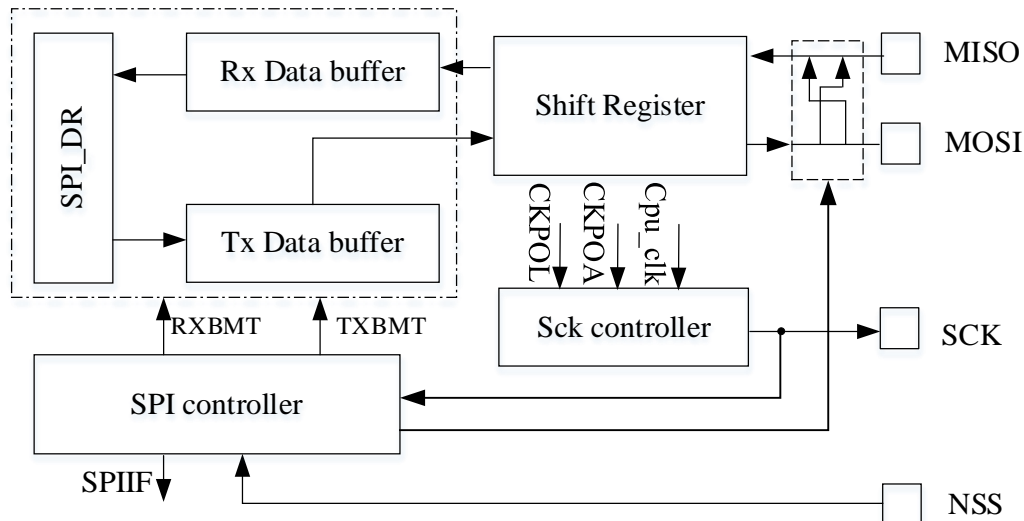


Figure 9-1 Block Diagram of Master SPI

9.2.1.1 Master Mode Configurations

1. Configure SPI_CR1[NSSMOD] to set the SPI operating mode;
2. Configure SPI_CR0[CPOL] to set the clock polarity;
3. Configure SPI_CR0[CPHA] to set the clock phase;
4. Set SPI_CR0[SPIMS] to “1” to select master mode;
5. Configure SPI_CLK to set the SCLK rate;
6. Set SPI_CR1[SPIEN] to “1” to enable SPI;
7. Write the data to SPI_DR. SPI transmits data for each write;
8. After SPI_CR1[SPIIF] is set to “1”, SPI_DR is read to receive the data.

9.2.2 SPI Slave Mode

When SPI_CR0[SPIMS] = 0, SPI operates in slave mode. In this mode, SCLK signal is sent by the master SPI. If no SCLK signal is input, shift register of the slave is in the stop state. If the signal of SCLK is input, the shift register of slave starts to receive and transmit data through MOSI and MISO pins. After the transmission is completed, SPI_CR1[SPIIF] and SPI_CR1[TXBMT] are set to “1”, and the receive buffer empty flag bit SPI_CR0[RXBMT] is cleared, indicating the new data has not been read. If SPI_CR0[RXBMT] is “0” and there is new data ready to be sent to the receive buffer, SPI_CR1[RXOVRN] is set to “1” and the data in the receive buffer remains unaffected. When data is written to SPI_DR, SPI_CR1[TXBMT] is cleared. If data is written in this case, the write conflict flag bit SPI_CR1[WCOL] is set to “1” and the data in the transmit buffer keeps unchanged.

9.2.2.1 Slave Mode Configurations

1. Configure SPI_CR1[NSSMOD] to set the SPI operating mode;
2. Configure SPI_CR0[CPOL] to set the clock polarity;
3. Configure SPI_CR0[CPHA] to set the clock phase;
4. Set SPI_CR0[SPIMS] to “0” to select slave mode;

5. Set SPI_CR1[SPIEN] to “1” to enable SPI;
6. Write data to SPI_DR and wait for the master to transmit the clock signal.

9.2.3 SPI Interrupt Sources

If SPI Interrupt is enabled (IE[SPIIE]=1), an interrupt is generated when the following four bits are set to “1”. These bits can be cleared to “0” by software only.

- SPI interrupt flag SPI_CR1[SPIIF] is set to “1” each time after the byte is transferred.
- If SPI_DR is written when the data in transmit buffer has not been transferred to the shift register, the write conflict flag SPI_CR1[WCOL] is set to “1” and the write operation will not be implemented.
- When SPI works as a master in a multi-master system and NSS pin is pulled LOW, the mode error flag SPI_CR1[MODF] is set to “1”. When a mode error occurs, SPI_CR0[SPIMS] and SPI_CR1[SPIEN] are cleared to “0”. SPI is forbidden to allow another master to control the bus.
- The receive overflow flag SPI_CR1[RXOVRN] is set to “1” when SPI operates in slave mode and a transmission is completed while the receive buffer still holds unread data from a previous transfer. And the received data will not be transferred to the receive buffer.

9.2.4 SPI Operating Modes

SPI can operate in 3-Wire Mode, 4-Wire Slave/Multi-Master Mode or 4-Wire Master Mode, which is selected by configuring SPI_CR1[NSSMOD].

When SPI_CR1[NSSMOD] = 00, SPI operates in 3-Wire Mode. NSS port is not necessary in this mode and there is only one master and one slave on the SPI bus. Since no NSS signal is available for device selection, only one slave operates on SPI bus, that is, only point-to-point communications are performed. The connection diagram is shown as below.

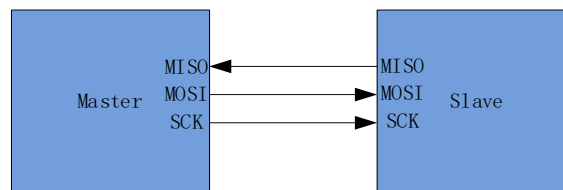


Figure 9-2 Connection Diagram of 3-Wire SPI Mode

When SPI_CR1[NSSMOD] = 01, SPI operates in 4-Wire Slave/Multi-Master Mode. In this mode, NSS pins on the SPI bus are all configured as inputs, waiting to be addressed by the master. When SPI_CR0[SPIMS] = 1, SPI operates in Multi-Master Mode. In this mode, if NSS pin of a master on the bus is pulled LOW, SPI_CR1[MODF] is set to “1”, the master SPI is disabled and SPI operates in Slave Mode. In this case, The master SPI shall start transmission after the slave NSS is pulled LOW for two system cycles. When SPI_CR0[SPIMS] = 0, SPI operates in 4-Wire Slave Mode. The connection diagram is shown as below.

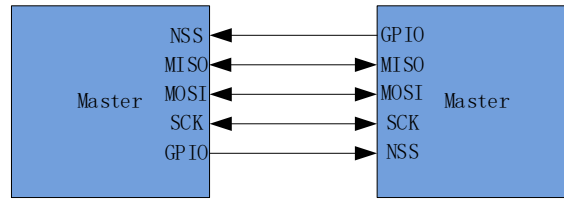


Figure 9-3 Connection Diagram of 4-Wire Multi-Master Mode

When $SPI_CR1[NSSMOD] = 1x$, SPI operates in 4-Wire Single Master Mode. In this mode, NSS pin of the master on the bus is configured as an output, and NSS pin of the slave devices are configured as inputs. $SPI_CR1[NSSMOD0]$ setting decides the output level of NSS pin serving as signal to select a slave. If $SPI_CR1[NSSMOD0]=1$, NSS pin of the master outputs high level and if $SPI_CR1[NSSMOD0]=0$, it outputs low level. The connection diagram is shown as below.

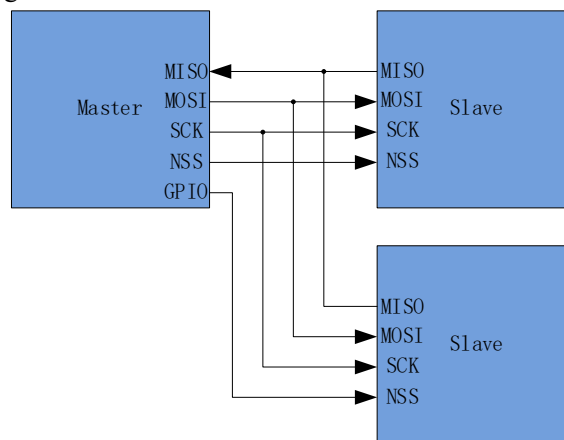


Figure 9-4 Connection Diagram of 4-Wire Single Master Mode

9.2.5 Serial Clock Timing

Four combinations of serial clock phase and polarity can be selected using the CPHA and CPOL bits in the SPI_CR0 Register. $SPI_CR0[CPHA]$ selects the clock phase (the edge of the SCLK signal used to latch the data in shift register). $SPI_CR0[CPOL]$ selects the polarity. Both master and slave devices must be configured with the same clock phase and polarity. When the clock phase and polarity is configured, SPI shall be disabled ($SPI_CR1[SPIEN] = 0$). The timing relationships of SCL and SDA in clock phase and polarity combinations are shown in Figure 9-5 and Figure 9-6.

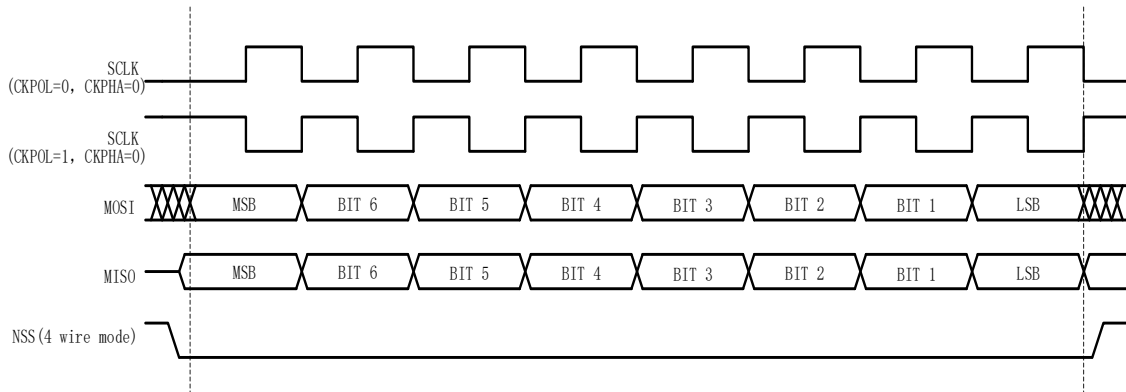


Figure 9-5 SDA/SCL Line Timing Diagram (SPI_CR0[CPHA] = 0)

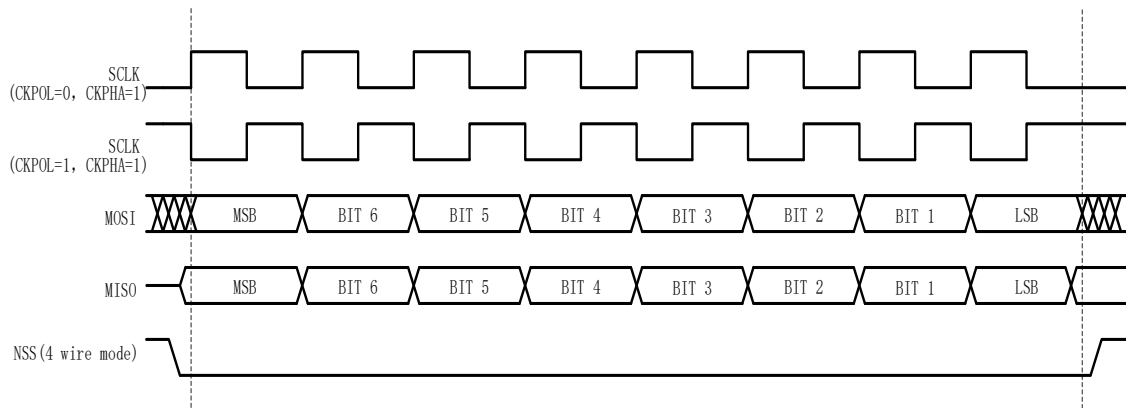


Figure 9-6 SDA/SCL Line Timing Diagram (SPI_CR0[CPHA] = 1)

9.3 SPI Registers

9.3.1 SPI_CR0 (0x4030)

Bit	7	6	5	4	3	2	1	0
Name	SPIBSY	SPIMS	CPHA	CPOL	SLVSEL	NSSIN	SRMT	RXBMT
Type	R	R/W	R/W	R/W	R	R	R	R
Reset	0	0	0	0	1	0	1	1
Bit	Name	Description						
[7]	SPIBSY	Busy Flag When data is transferring via SPI, this bit is set to “1”.						
[6]	SPIMS	Master/Slave Mode Selection 0: Slave 1: Master						
[5]	CPHA	Clock Phase 0: Data received on leading edge and transmitted on trailing edge of active SCLK 1: Data transmitted on leading edge and received on trailing edge of active SCLK						
[4]	CPOL	Clock Idle Polarity 0: Low level in idle state 1: High level in idle state						
[3]	SLVSEL	NSS Select Flag This bit is set to “1” when the filtered signal of NSS is low, indicating that the device is selected as slave. When NSS is high, this bit is cleared to “0”, indicating that the device is not selected as slave.						
[2]	NSSIN	NSS real-time signal, unfiltered.						
[1]	SRMT	Shift Register Empty Flag (valid only in slave mode) 0: Data has been shifted out of the Transit Buffer into the shift register or SCLK changes. 1: There is no data in the shift register or transmit and receive buffers Note: SPI_CR0[SRMT] = 1 in master mode						
[0]	RXBMT	Receive Buffer Empty Flag (valid only in slave mode) 0: New data in the receive buffer has not been read 1: Data has been read and there is no new data in the receive buffer Note: SPI_CR0[RXBMT] = 1 in the master mode						

Note: Clock phase and polarity modes SPI_CR0 [CPHA:CPOL]:

- 00: Receive data on rising edge, and transmit on falling edge. Idle level is low.
- 01: Transmit data on rising edge, and receive data on falling edge. Idle level is high.
- 10: Transmit data on rising edge, and receive data on falling edge. Idle level is low.
- 11: Receive data on rising edge, and transmit data on falling edge. Idle level is high.

9.3.2 SPI_CR1 (0x4031)

Bit	7	6	5	4	3	2	1	0
Name	SPIIF	WCOL	MODF	RXOVRN	NSSMOD1	NSSMOD0	TXBMT	SPIEN
Type	R/W0	R/W0	R/W0	R/W0	R/W	R/W	R	R/W
Reset	0	0	0	0	0	0	1	0

Bit	Name	Description
[7]	SPIIF	SPI Interrupt Flag This bit is set to “1” by hardware each time after a data frame (8-bit) is transferred. It can be cleared to “0” by software only.
[6]	WCOL	Write Conflict Interrupt Flag When TXBMT is “0”, a write to SPI_DR sets this bit to “1”. This bit can be cleared to “0” by software only.
[5]	MODF	Master Mode Error Interrupt Flag This bit is set to “1” when a master mode conflict is detected (SPI_CR0[NSSIN] = 0, SPI_CR0[SPIMS] = 1 and SPI_CR1[NSSMOD] = 01) This bit can be cleared to “0” by software only.
[4]	RXOVRN	Receive Overflow Interrupt Flag (valid only in slave mode) This bit is set to “1” by hardware (and generates a SPI interrupt) when the last bit of the current transfer has been shifted into the shift register and the receive buffer still holds unread data from the previous transfer. This bit cannot be cleared to “0” automatically by hardware and can be cleared by software only.
[3:2]	NSSMOD	SPI Mode Selection 00: 3-Wire Slave Mode or 3-wire Master Mode. NSS signal is not routed to a port pin. 01: 4-Wire Slave or Multi-Master Mode (default value). NSS pin is configured as an input. 1X: 4-Wire Single Master Mode, NSS pin is configured as output and outputs the SPI_CR1[2] value.
[1]	TXBMT	Transmit Buffer Empty Flag This bit is cleared to “0” when new data is written to the transmit buffer. It is set to “1” when the data in the transmit buffer is transferred to the SPI shift register, indicating that it is safe to write a new byte to the transmit buffer.
[0]	SPIEN	SPI Enable 0: Disable 1: Enable

9.3.3 SPI_CLK (0x4032)

Bit	7	6	5	4	3	2	1	0
Name	SPI_CLK							
Type	R/W	R/W	R/W	R/W	R/W	R/W	R/W	R/W
Reset	0	0	0	0	0	0	0	0
Bit	Name	Description						
[7:0]	SPI_CLK	SPI Baud Rate Setting This bit is valid in master mode only, and can be written only when SPI_CR1[SPIEN] = 0. $fsck = sysclk/2x(SPI_CLK[7:0] + 1)$ for $0 \leq SPI_CLK \leq 255$ For example, $sysclk = 24MHz, SPI_CLK=0x04,$ $fsck = 24000000/2x(4+1) = 2400kHz$						

9.3.4 SPI_DR (0x4033)

Bit	7	6	5	4	3	2	1	0
Name	SPI_DR							
Type	R/W	R/W	R/W	R/W	R/W	R/W	R/W	R/W

Reset	0	0	0	0	0	0	0	0
Bit	Name	Description						
[7:0]	SPI_DR	SPI Data Registers SPI_DR register is used to send and receive SPI data Read: Data in the receive buffer Write: Write data to the transmit buffer and initiate a transfer						

10 UART

10.1 Introduction

UART is a full-duplex or half-duplex serial data exchange interface. The baud rate is configurable to generate the specific frequency as required by the system to receive and send data.

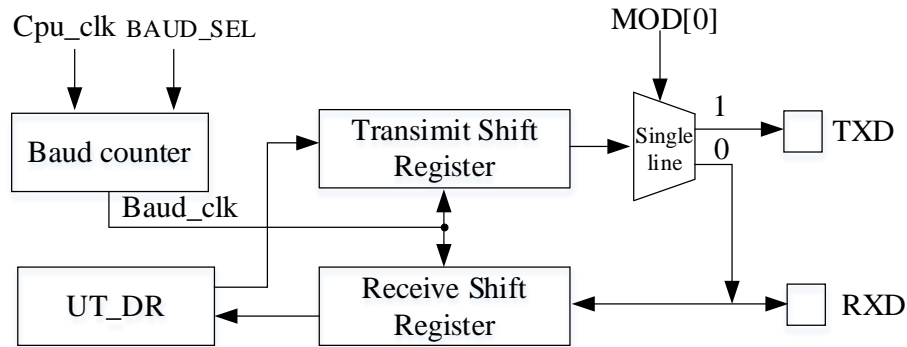


Figure 10-1 UART Block Diagram

UART2 also supports LIN Slave mode.

Moreover, UART supports DMA transmission to achieve high-speed data communication.

10.2 UART Operations

10.2.1 Mode0

Mode0 works in single-wire half-duplex mode. RXD pin is configured as both an output (Transmit Data Bus) and an input (Receive Data Bus). It uses a total of 10 bits (1-bit start, 8-bit data, 1-bit stop) to receive or transmit data. The baud rate is configured by UT_BAUD[BAUD].

Data Transmission: Write the data to UT_DR and clear UT_CR[TI]. RXD outputs 10-bit data. UT_CR[TI] is set to “1” after the transmission is completed.

Data Reception: Set UT_CR[REN] to “1” to receive the data and clear UT_CR[RI]. The data is received via RXD. After the data is received, UT_CR[RI] is set to “1” and UT_DR is read to obtain the data.

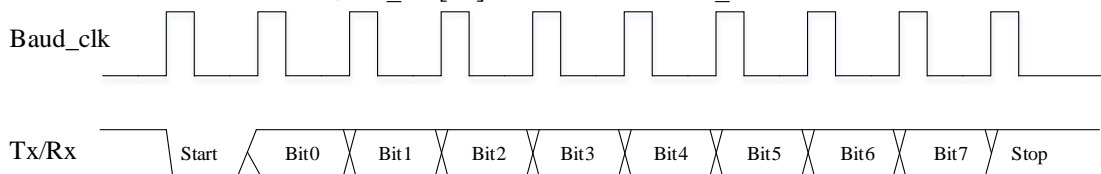


Figure 10-2 Communication Timing Diagram of UART Mode0

10.2.2 Model

Model works in full/half duplex mode. TXD pin is configured as an output (Transmit Data Bus), and RXD as an input (Receive Data Bus). It uses a total of 10 bits (1-bit start, 8-bit data, 1-bit stop) to receive or transmit data. The baud rate is configured by UT_BAUD[BAUD].

Data Transmission: Write the data to UT_DR and clear UT_CR[TI]. TXD outputs 10-bit data. UT_CR[TI]

is set to “1” after the transmission is completed.

Data Reception: Set UT_CR[REN] to “1” to receive the data and clear UT_CR[RI]. The data is received via RXD. After the data is received, UT_CR[RI] is set to “1” and UT_DR is read to obtain the data.

10.2.3 Mode2

Mode2 works in single-wire half-duplex mode. RXD pin is configured as both an output (Transmit Data Bus) and an input (Receive Data Bus). It uses a total of 11 bits (1 start bit, 9 data bits, and 1 stop bit) to receive or transmit data. The baud rate is configured by UT_BAUD[BAUD].

Data Transmission: Write the first 8 low-order bits of the data to UT_DR and the 9th bit to UT_CR[TB8], and clear UT_CR[TI]. TXD outputs 11-bit data. UT_CR[TI] is set to “1” after the transmission is completed.

Data Reception: Set UT_CR[REN] to “1” to receive the data and clear UT_CR[RI]. The data is received via RXD. After the data is received, UT_CR[RI] is set to “1”. UT_CR[RB8] stores the 9th bit of the data, and UT_DR stores the first 8 low-order bits.

10.2.4 Mode3

Mode3 works in full/half duplex mode. TXD pin is configured as an output (Transmit Data Bus), and RXD as an input (Receive Data Bus). It uses a total of 11 bits (1-bit start, 9-bit data, 1-bit stop) to receive or transmit data. The baud rate is configured by UT_BAUD[BAUD].

Data Transmission: Write the first 8 low-order bits of the data to UT_DR and the 9th bit to UT_CR[TB8], and clear UT_CR[TI]. TXD outputs 11-bit data. UT_CR[TI] is set to “1” after the transmission is completed.

Data Reception: Set UT_CR[REN] to “1” to receive the data and clear UT_CR[RI]. The data is received via RXD. After the data is received, UT_CR[RI] is set to “1”. UT_CR[RB8] stores the 9th bit of the data, and UT_DR stores the first 8 low-order bits.

10.2.5 UART Interrupt

If UART Interrupt is enabled (IE[ES0]=1), an interrupt is generated when the following two bits are set to “1”. These bits can be cleared to “0” by software only.

- After UART1 sends the data, UT_CR[TI] is set to “1” by hardware
- After UART1 receives the data and STOP, UT_CR[RI] is set to “1” by hardware

10.3 UART1 Registers

10.3.1 UT_CR (0x98)

Bit	7	6	5	4	3	2	1	0
Name	MOD		SM2	REN	TB8	RB8	TI	RI
Type	R/W	R/W	R/W	R/W	R/W	R/W	R/W	R/W
Reset	0	0	0	0	0	0	0	0
Bit	Name	Description						
[7:6]	MOD	Mode Selection 00: Mode0: Single-wire 8-bit UART; RXD pin as both an output and an input. Baud rate= $24M / (16 / (1 + UT_BAUD[BAUD_SEL])) / (UT_BAUD + 1)$ 01: Mode1: Dual-wire 8-bit UART Baud rate= $24M / (16 / (1 + UT_BAUD[BAUD_SEL])) / (UT_BAUD + 1)$ 10: Mode2: Single-wire 9-bit UART; RXD pin as both an output and an input. Baud rate= $24M / (16 / (1 + UT_BAUD[BAUD_SEL])) / (UT_BAUD + 1)$ 11: Mode3: Dual-wire 9-bit UART Baud rate= $24M / (16 / (1 + UT_BAUD[BAUD_SEL])) / (UT_BAUD + 1)$						
[5]	SM2	0: Single-device Communication 1: Multi-device Communication						
[4]	REN	0: Serial input is disabled. 1: Serial input is enabled, and this bit is cleared to "0" by software.						
[3]	TB8	Bit9 of the sent data in mode 2 and mode 3						
[2]	RB8	Bit9 of the received data in mode 2 and mode 3						
[1]	TI	Data Sending Completed Interrupt Flag After the data is sent, this bit is set to "1" by hardware. It can be cleared to "0" by software only.						
[0]	RI	Data Reception Completed Interrupt flag After the data is received, this bit is set to "1" by hardware. It can be cleared to "0" by software only.						

10.3.2 UT_DR (0x99)

Bit	7	6	5	4	3	2	1	0
Name	UT_DR							
Type	R/W	R/W	R/W	R/W	R/W	R/W	R/W	R/W
Reset	0	0	0	0	0	0	0	0
Bit	Name	Description						
[7:0]	UT_DR	Send/Receive Data Read: Data received Write: Data to be sent						

10.3.3 UT_BAUD (0x9A,0x9B)

UT_BAUDH (0x9B)								
Bit	7	6	5	4	3	2	1	0
Name	BAUD_SEL	RSV			UT_BAUDH			
Type	R/W	R	R	R	R/W	R/W	R/W	R/W
Reset	0	0	0	0	0	0	0	0
UT_BAUDL (0x9A)								

Bit	7	6	5	4	3	2	1	0
Name	UT_BAUDL							
Type	R/W	R/W	R/W	R/W	R/W	R/W	R/W	R/W
Reset	1	0	0	1	1	0	1	1
Bit	Name	Description						
[15]	BAUD_SEL	Frequency multiplier enable (See UT_CR[MOD])						
[11:0]	UT_BAUD	Baud Rate Setting (See UT_CR[MOD])						

10.4 UART2 Registers

10.4.1 UT2_CR (0x8A)

Bit	7	6	5	4	3	2	1	0
Name	UT2MOD		UT2SM2	UT2REN	UT2TB8	UT2RB8	UT2TI	UT2RI
Type	R/W	R/W	R/W	R/W	R/W	R/W	R/W0	R/W
Reset	0	0	0	0	0	0	0	0
Bit	Name	Description						
[7:6]	UT2MOD	Mode Selection 00: Mode0: Single-wire 8-bit UART; RXD pin as both an output and an input. Baud rate= $24M / (16 / (1 + UT2_BAUD[BAUD2_SEL])) / (UT2_BAUD + 1)$ 01: Mode1: Dual-wire 8-bit UART Baud rate= $24M / (16 / (1 + UT2_BAUD[BAUD2_SEL])) / (UT2_BAUD + 1)$ 10: Mode2: Single-wire 9-bit UART; RXD pin as both an output and an input. Baud rate= $24M / (16 / (1 + UT2_BAUD[BAUD2_SEL])) / (UT2_BAUD + 1)$ 11: Mode3: Dual-wire 9-bit UART Baud rate= $24M / (16 / (1 + UT2_BAUD[BAUD2_SEL])) / (UT2_BAUD + 1)$						
[5]	UT2SM2	0: Single-device Communication 1: Multi-device Communication						
[4]	UT2REN	0: Serial input is disabled. 1: Serial input is enabled, and this bit is cleared to "0" by software.						
[3]	UT2TB8	Bit9 of the sent data in mode 2 and mode 3						
[2]	UT2RB8	Bit9 of the received data in mode 2 and mode 3						
[1]	UT2TI	Data Sending Completed Interrupt Flag After the data is sent, this bit is set to "1" by hardware. It can be cleared to "0" by software only.						
[0]	UT2RI	Data Reception Completed Interrupt flag After the data is received, this bit is set to "1" by hardware. It can be cleared to "0" by software only.						

10.4.2 UT2_DR (0x89)

Bit	7	6	5	4	3	2	1	0
Name	UT2_DR							
Type	R/W	R/W	R/W	R/W	R/W	R/W	R/W	R/W
Reset	0	0	0	0	0	0	0	0
Bit	Name	Description						
[7:0]	UT2_DR	Send/Receive Data Read: Data received						

		Write: Data to be sent
--	--	------------------------

10.4.3 UT2_BAUD (0x4042,0x4043)

UT2_BAUDH (0x4042)								
Bit	7	6	5	4	3	2	1	0
Name	BAUD2_SEL	UART2CH	UART2IEN	RSV	UT2_BAUDH			
Type	R/W	R/W	R/W	R	R/W	R/W	R/W	R/W
Reset	0	0	0	0	0	0	0	0
UT2_BAUDL (0x4043)								
Bit	7	6	5	4	3	2	1	0
Name	UT2_BAUDL							
Type	R/W	R/W	R/W	R/W	R/W	R/W	R/W	R/W
Reset	1	0	0	1	1	0	1	1
Bit	Name	Description						
[15]	BAUD2_SEL	Frequency multiplier enable (UT2_CR[UT2MOD])						
[14]	UART2CH	UART2 Functional Switching Enable 0: UART2 functional switching is disabled. P3.6 serves as RXD and P3.7 as TXD. 1: UART2 functional switching is enabled. P0.1 serves as RXD and P0.0 as TXD.						
[13]	UART2IEN	UART2 Interrupt Enable 0: Disable 1: Enable						
[12]	RSV	Reserved						
[11:0]	UT2_BAUD	Baud Rate Setting (UT2_CR[UT2MOD])						

11 LIN

11.1 LIN Introduction

LIN is an asynchronous, serial communication interface mainly used in automotive network. LIN controller complies with the 2.2 Specification (backward compatible). The pin is multiplexed with UART2 (functional switching is supported as well). The controller implements a complete LIN hardware interface, which works in slave mode and supports baud rate adaption..

For more information and specifications regarding the LIN protocol, refer to the LIN Consortium (<http://www.lin-subbus.org>).

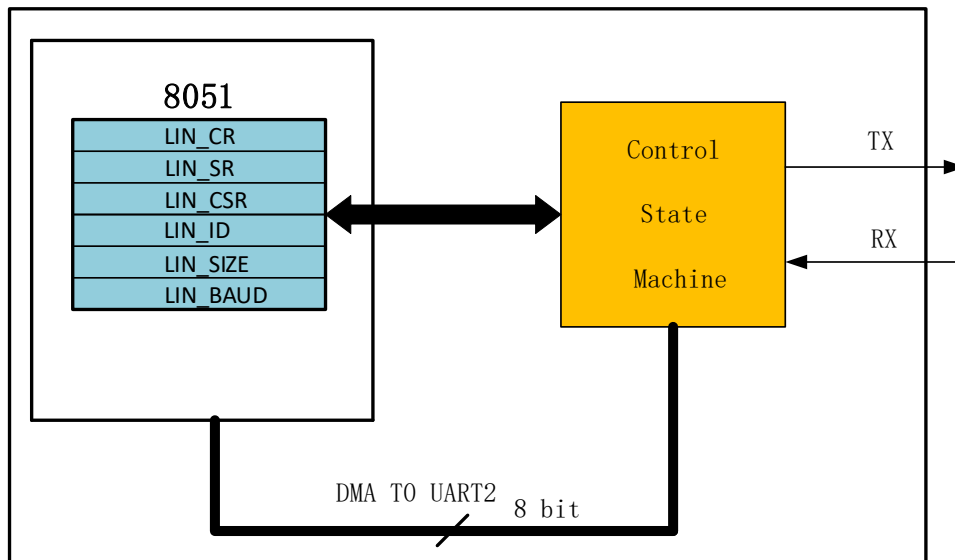


Figure 11-1 LIN Block Diagram

The LIN controller has three main components, as shown above.

- LIN access register: Provide the interface between the CPU and the LIN controller through XSFR addressing of 8051 core.
- LIN data buffer: Transmit and receive the data by configuring DMA0/1.
- LIN control register: Process data transmission and control states of the LIN bus.

11.2 LIN Slave Mode Operations

When LIN is configured for slave mode operation, it must wait for a command from a master node.

When LIN Interrupt is enabled, an interrupt is generated in any of the following five cases as shown in the table below.

Table 11-1 LIN Interrupt Sources and Descriptions

Interrupt Source	Description	Interrupt Flag	Clear Flag
Bus Idle	Bus remains idle for 4s or more	LIN_SR[LINIDLE]	Write "0" to LIN_SR[LINIDLE]

Interrupt Source	Description	Interrupt Flag	Clear Flag
External Wakeup	Wake signal is received	LIN_CSR[LINWAKUP]	Write “0” to LIN_CSR[LINWAKUP]
Reception of Frame Header	Frame header is received and ID check is correct	LIN_SR[LINREQ]	Write “1” to LIN_SR[LINACK]/ Write “1” to LIN_SR[LINREQ]/ A new frame header is detected
Data Transmission or Reception Completed	Data is received or sent by the salve	LIN_SR[LINDONE]	Write “0” to LIN_SR[LINDONE]/ A new frame header is detected
Error Occurs	An error interrupt request is received: Bit error/ Sync error/ ID check error/ Data check error	LIN_CSR[ERRBIT] LIN_SR[ERRSYNC] LIN_SR[ERRPRTY] LIN_SR[ERRCHK]	Write “0” to LIN_CSR[CLRERR]/ A new frame header is detected

LIN slave transmits and receives the data as follows:

1. LIN controller detects the header (Synch Break Field and Synch Field signals) of a message frame from the master on LIN bus. The baud rate of the data is automatically identified by the synchronization signal. LIN_SR[LINREQ] is set to “1” when the slave recognizes the ID and the ID checksum is correct. Otherwise, LIN_SR[ERRPRTY] is set to “1” and ID checksum error occurs;
2. Data Transmission: LIN_CR[LINRW] is set to “1” to load the data length into LIN_SIZE and data bytes into DMA buffer. LIN_CSR[LINACK] is set to “1” and frame header transfers data to the master;
3. Data Reception: Clear LIN_CR[LINRW] to “0” and set LIN_CSR[LINACK] to “1”, and frame header receives the data sent by the master;
4. LIN_SR[LINDONE] is set to “1” after the slave receives or transmits the data.

11.3 Sleep and Wakeup

To reduce the system’s power consumption, the LIN Protocol Specification defines a Sleep Mode.

After the slave receives and correctly decodes a Sleep Mode request from the master, the software puts the device into the Sleep Mode by setting LIN_CSR[LINSLP] to “1”.

LIN_SR[IDLE] is set to “1” when the bus stays idle for more than 4s and the LIN slave is not in the sleep mode. In this case, the software may assume that the LIN bus is in Sleep Mode and put the device into the Sleep Mode by setting LIN_CSR[LINSLP] to “1”.

Sending a wake-up signal from the master or any slave node (setting LIN_CSR[LINWAKUP] to “1”) terminates the Sleep Mode of the LIN bus. The LIN slave can also send a wake-up signal (setting LIN_CSR[LINWAKUP] to “1”) to wake up the master or other slaves.

11.4 Error Detection and Handling

When LIN slave detects an error, LIN_CSR[CLRERR] is set to “1”, and LIN generates an error interrupt

request and stops the processing of current frame. The type of error, i.e., bit error, sync error, data check error or ID check error, is determined via LIN_CSR[ERRBIT], LIN_CSR[ERRBIT], LIN_SR[ERRSYNC], LIN_SR[ERRCHK] and LIN_SR[ERRPRTY]. LIN_CSR[CLRERR] is cleared to “0” after the error is processed.

11.5 Other Matters

When LIN slave mode is enabled and the device is not in the Sleep Mode, the slave may detect a new frame header (including Synch Break Field, Synch Field and PID).

Configuring LIN_CSR[LINSTOP] to “1” aborts the processing of the current frame during data reception or transmission at slave mode. LIN_SR[ABORT] is set to “1”.

11.6 LIN Registers

11.6.1 LIN_CR(0x40E0)

LIN_CR (0x40E0)									
Bit	7	6	5	4	3	2	1	0	
Name	RSV				LINE	CHKMOD	LINRW	AUTOSIZE	
Type	R				R/W	R/W	R/W	R/W	
Reset	0	0	0	0	0	0	0	0	
Bit	Name	Description							
[7:4]	RSV	Reserved							
[3]	LINE	LIN interrupt enable 0: Disable 1: Enable							
[2]	CHKMOD	Checksum selection 0: Enhanced check 1: Standard check							
[1]	LINRW	Transmit/receive selection 0: Current frame is a receive operation 1: Current frame is a transmit operation							
[0]	AUTOSIZE	Data length dependent on LIN_ID[5:4] enable 0: Disable 1: Enable Mapping between LIN_ID[5:4] and data length: 0x: 2 bytes 10: 4 bytes 11: 8 bytes							

11.6.2 LIN_SR(0x40E1)

Bit	7	6	5	4	3	2	1	0
Name	ERRSYNC	ERRCHK	ERRPRTY	ABORT	LINACT	LINIDLE	LINDONE	LINREQ
Type	R	R	R	R	R	R/W0	R/W	R/W
Reset	0	0	0	0	0	0	0	0
Bit	Name	Description						
[7]	ERRSYNC	Sync error (synchronization timeout or premature synchronization). This bit will be cleared by hardware when a new frame arrives or LIN[CLRERR] is cleared to "0". 0: No sync error occurs. 1: A sync error occurs.						
[6]	ERRCHK	Data Check Error. The bit is cleared to "0" by hardware when a new frame arrives or when LIN_CSR[CLRERR] is cleared to "0". 0: No data check error occurs. 1: A data check error occurs.						
[5]	ERRPRTY	ID Check Error. The bit is cleared to "0" by hardware when a new frame arrives or when LIN_CSR[CLRERR] is cleared to "0". 0: No ID check error occurs. 1: An ID check error occurs.						

[4]	ABORT	Aborted Transmission Flag The bit is set to “1” upon reception of a frame header or when LIN_CSR[LINSTOP] is set to “1” during transmission.
[3]	LINACT	LIN Bus Active Flag 0: No data is transmitting on LIN bus 1: Data is transmitting on LIN bus
[2]	LINIDLE	LIN Bus Idle Interrupt Flag Read: 0: The bus is active. 1: The bus stays idle for more than 4s. Write: 0: This bit is cleared to “0”. 1: No effect.
[1]	LINDONE	Transmission Completion Interrupt Flag This bit is set to “1” after the slave receives or sends the data, and cleared to “0” when a new frame arrives or software writes “0” to LIN_SR[LINDONE].
[0]	LINREQ	Header Reception Interrupt Flag This bit is set to “1” after a frame header is received and its ID is correct. This bit is cleared to “0” when a new frame arrives, or software writes “1” to LIN_CSR[LINACK] or “0” to LIN_SR[LINREQ].

11.6.3 LIN_CSR(0x40E2)

Bit	7	6	5	4	3	2	1	0
Name	RSV		LINSLP	CLRERR	LINWAKUP	LINACK	LINSTOP	LINEN
Type	R	R	R/W	R/W0	R/W	W1	W1	R/W
Reset	0	0	0	0	0	0	0	0
Bit	Name	Description						
[7: 6]	RSV	Reserved						
[5]	LINSLP	LIN Sleep State Enable Read: 0: LIN is active 1: LIN is in sleep state Write: 0: LIN exits sleep state 1: LIN enters sleep state						
[4]	CLRERR	LIN Fault Status Clearing Read: 0: No error is detected. 1: An error is detected. Write: 0: Error flag is cleared. 1: No effect						
[3]	LINWAKUP	LIN Wake-Up Read: 0: No wake-up signal is received. 1: Wake-up signal is received. Write: 0: No effect 1: Wake-up signal is sent.						
[2]	LINACK	This bit is used to send an ACK for the frame header. The checksum, R/W mode, data content and length must be configured before this bit is set to “1”.						

[1]	LINSTOP	Stop signal. After this bit is set to “1”, LIN stops sending or receiving the data and waits for a new frame header. LIN_SR[ABORT] is set to “1” as well.
[0]	LINEN	LIN Enable 0: Disable 1: Enable

11.6.4 LIN_ID(0x40E3)

LIN_ID(0x40E3)								
Bit	7	6	5	4	3	2	1	0
Name	RSV			LIN_ID				
Type	R	R	R	R	R	R	R	R
Reset	0	0	0	0	0	0	0	0
Bit	Name	Description						
[7:6]	RSV	Reserved						
[5:0]	LIN_ID	ID received by LIN						

11.6.5 LIN_SIZE(0x40E4)

LIN_SIZE(0x40E4)								
Bit	7	6	5	4	3	2	1	0
Name	RSV				LIN_SIZE			
Type	R	R	R	R	R/W	R/W	R/W	R/W
Reset	0	0	0	0	0	0	0	0
Bit	Name	Description						
[7:4]	RSV	Reserved						
[3:0]	LIN_SIZE	Frame length of data received/transmitted						

11.6.6 LIN_BAUD(0x40E5,0x40E6)

LIN_BAUDH(0x40E5)								
Bit	7	6	5	4	3	2	1	0
Name	LIN_BAUD[15:8]							
Type	R							
Reset	0	0	0	0	0	1	0	0
LIN_BAUDL(0x40E6)								
Bit	7	6	5	4	3	2	1	0
Name	LIN_BAUD[7:0]							
Type	R							
Reset	1	0	1	0	1	1	1	1
Bit	Name	Description						
[15:0]	LIN_BAUD	Baud Rate Baud rate = 24M/(LIN_BAUD + 1)						

12 MDU

12.1 MDU Introduction

MDU is a built-in computing co-processor that assists the CPU in processing complex operations efficiently. It supports multiplication, division, trigonometric operation and LPF operation. MDU module can be invoked in different interrupt services and master programs, and the results are independent from each other.

12.2 MDU Features

The MDU module has the following features:

- Support invocation with nested interrupt
- Hardware acceleration to reduce CPU load
- Support the following modes:
 - 16-Bit signed multiplication
 - 16-Bit signed multiplication (result shifted left by one-bit)
 - 16-Bit unsigned multiplication
 - 32-bit by 16-bit unsigned division
 - Low-pass filter (LPF)
 - Coordinate transformation (SIN/COS)
 - Arctangent (ATAN)

12.3 MDU Instructions

12.3.1 MDU Operations

MDU is operated as follows.

1. Set MDU_CR[MDURUN] to “1”.
2. Configure MUD_MD to select the operation mode;
3. Write data to MDU_A, MDU_B, MDU_C and MDU_D. The operation starts after MDU_C[7:0] is written;
4. Wait for MDU_CR[MDUBUSY] to be cleared by hardware;
5. Set MDU_CR[MDUDONE] to 1.

Notes:

- Before using MDU, MDU_CR[MDURUN] must be set to “1”. After the operation is completed, MDU_CR[MDUDONE] must be set to “1”. These two steps ensure the data of MDU is not affected by nested calls of different interrupts and the main function.
- Before MDU_C[7:0] is written, make sure the operation mode and other registers have been written.

12.3.2 16-Bit Signed Multiplication with the Result Shifted Left by One-bit

When MDU_MD[2:0]=000, MDU module works in the 16-bit signed multiplication mode with the result

shifted left by one-bit. As shown in the below table, after 16-bit signed data is written to MDU_A and MDU_C as the multiplicand and multiplier respectively, 32-bit signed data is obtained by the product shifting left by one bit. The 16 high-order bits of this data are accessed by reading MDU_A, and the 16 low-order bits by MDU_B.

Table 12-1 Register Definitions in 16-Bit Signed Multiplication Mode with the Result Shifted Left by One-bit

Data Register	Input Data	Output Data
MDU_A	Multiplicand	16 high-order bits of the product
MDU_B	—	16 low-order bits of the product
MDU_C	Multiplier	—
MDU_D	—	—

12.3.3 16-Bit Signed Multiplication

When MDU_MD[2:0] = 001, MDU module works in 16-bit signed multiplication mode. As shown in the table below, 31-bit signed data is obtained after 16-bit signed data is written to MDU_A and MDU_C as the multiplicand and multiplier respectively. The 16 high-order bits of the data are accessed by reading MDU_A, and the 16 low-order bits by MDU_B.

Table 12-2 Register Definitions in 16-Bit Signed Multiplication Mode

Data Register	Input Data	Output Data
MDU_A	Multiplicand	16 high-order bits of the product
MDU_B	—	16 low-order bits of the product
MDU_C	Multiplier	—
MDU_D	—	—

12.3.4 16-Bit Unsigned Multiplication

When MDU_MD[2:0] = 010, MDU module works in 16-bit unsigned multiplication mode. As shown in the table below, 32-bit unsigned data is obtained after 16-bit unsigned data is written to MDU_A and MDU_C as the multiplicand and multiplier respectively. The 16 high-order bits of the data are accessed by reading MDU_A, and the 16 low-order bits by MDU_B.

Table 12-3 Meaning of the Register in 16-Bit Unsigned Multiplication Mode

Data Register	Input Data	Output Data
MDU_A	Multiplicand	16 high-order bits of the product
MDU_B	—	16 low-order bits of the product
MDU_C	Multiplier	—
MDU_D	—	—

12.3.5 32-Bit/16-Bit Unsigned Division

When MDU_MD[2:0] = 011, MDU module works in 32-bit/16-bit unsigned division mode. As shown in the table below, the dividend is 32-bit unsigned data, and the divisor is 16-bit unsigned data. 32-bit unsigned quotient with 16-bit unsigned remainder is obtained after high 16 bits of the dividend is written to MDU_A, low 16 bits of the dividend is written to MDU_B, and divisor is written to MDU_C. The 16 high-order bits of the quotient are

accessed by reading MDU_A, the 16 low-order bits by MDU_B, and the remainder by MDU_C.

Table 12-4 Meaning of the Register in Unsigned Division Mode

Data Register	Input Data	Output Data
MDU_A	16 high-order bits of the dividend	16 high-order 16 bits of the quotient
MDU_B	16 low-order bits of the dividend	16 low-order bits of the quotient
MDU_C	Divisor	Remainder
MDU_D	—	—

12.3.6 Low-Pass Filter

When MDU_MD[2:0] = 110, MDU works in LPF mode.

The calculation formula of LPF is:

$$Y_k = Y_{k-1} + K \times (X_k - Y_{k-1})$$

Where,

Y_k : Filtered value

Y_{k-1} : Previous filtered value

K : Filter coefficient

X_k : Value to be filtered

As shown in the table below, Y_k and Y_{k-1} are 32-bit signed data, X_k is 16-bit signed data, and K is 8-bit unsigned data. Y_k is obtained after 16 high-order bits of Y_{k-1} are written to MDU_B, 16 low-order bits of Y_{k-1} to MDU_C, K to MDU_D and X_k to MDU_A. 16 high-order bits of Y_k are accessed by reading MDU_B, and 16 low-order bits by MDU_C.

Table 12-5 Meaning of the Register in LPF Mode

Data Register	Input Data	Output Data
MDU_A	X_k	—
MDU_B	$Y_{k-1}[31:16]$	$Y_k[31:16]$
MDU_C	$Y_{k-1}[15:0]$	$Y_k[15:0]$
MDU_D	K	—

12.3.7 Coordinate Transformation (Sin/Cos)

When MDU_MD[2:0] = 100, MDU works in coordinate transformation mode.

The formula for coordinate transformation is:

$$\sin_o = \cos_i \times \sin \theta + \sin_i \times \cos \theta$$

$$\cos_o = \cos_i \times \cos \theta - \sin_i \times \sin \theta$$

In particular, when $\sin_i = 0$, the coordinate transformation is a sine and cosine calculation with \cos_i as the amplitude, calculated as:

$$\sin_o = \cos_i \times \sin \theta$$

$$\cos_o = \cos_i \times \cos \theta$$

As shown in the table below, cos_i , sin_i , θ , cos_o and sin_o are all 16-bit signed data. cos_i is written to MDU_A, sin_i to MDU_C and θ to MDU_B to calculate cos_o and sin_o . The results cos_o and sin_o are accessed by reading MDU_A and MDU_C respectively.

Table 12-6 Register Definitions in Coordinate Transformation Mode

Data Register	Input Data	Output Data
MDU_A	cos_i	cos_o
MDU_B	θ	—
MDU_C	sin_i	sin_o
MDU_D	—	—

12.3.8 Arctangent

When MDU_MD[2:0] = 101, MDU module works in arctangent mode.

Arctangent function calculates the magnitude and angle of the vector based on the input sine and cosine values. The calculation formula is:

$$U = \sqrt{sin^2 \theta + cos^2 \theta}$$

$$\theta = \tan^{-1} \left(\frac{sin \theta}{cos \theta} \right)$$

As shown in the table below, cos , sin , U and θ are 16-bit signed data. cos is written to MDU_A and sin to MDU_C to calculate U and θ . U is accessed by reading MDU_A, and θ by MDU_B.

Table 12-7 Register Definitions in Arctangent Mode

Data Register	Input Data	Output Data
MDU_A	cos	U
MDU_B	—	θ
MDU_C	sin	—
MDU_D	—	—

12.4 MDU Registers

12.4.1 MDU_CR(0xC1)

Bit	7	6	5	4	3	2	1	0
Name	MDUBUSY	MDUDONE	MDURUN	RSV				
Type	R	W	W	R				
Reset	0	0	0	0				
Bit	Name	Description						
[7]	MDUBUSY	MDU Busy Flag A write of MDU_C[7:0] to this bit starts MDU module. The bit is set to “1” after MDU completes operations.						
[6]	MDUDONE	MDU Operation End Bit This bit is set to “1” after MDU ends its operation. This operation ensures that MDU calculation is correct when it is invoked in different interrupt services and master programs.						
[5]	MDURUN	MDU Operation Start Bit						

		This bit is set to “1” before MDU starts. This operation ensures that the MDU calculation is correct when it is invoked in different interrupt services and master programs.
[4:0]	RSV	Reserved

12.4.2 MDU_MD(0xCA)

Bit	7	6	5	4	3	2	1	0
Name	RSV					MDUMOD[2:0]		
Type	R					R/W	R/W	R/W
Reset	0					0	0	0
Bit	Name	Description						
[7:3]	RSV	Reserved						
[2:0]	MDUMOD[2:0]	MDU Mode Selection 000: 16-bit signed multiplication with the result shifted left by 1 bit 001: 16-bit signed multiplication 010: 16-bit unsigned multiplication 011: 32-bit/16-bit unsigned division 100: Coordinate transformation (sin/cos calculation) 101: Arctangent function 110: Low-pass filter 111: Reserved						

12.4.3 MDU_A(0xC7,0xC6)

MDU_AH(0xC7)																																
Bit	7	6	5	4	3	2	1	0																								
Name	MDU_A[15:8]																															
Type	R/W																															
Reset	0																															
MDU_AL(0xC6)																																
Bit	7	6	5	4	3	2	1	0																								
Name	MDU_A[7:0]																															
Type	R/W																															
Reset	0																															
Bit	Name	Description																														
[15:0]	MDU_A[15:0]	A data register of MDU, the contents of this register in different modes are shown as below. Table 12-8 MDU_A Contents in Different Modes <table border="1" data-bbox="564 1666 1334 1957"> <thead> <tr> <th>MDU_MD[2:0]</th> <th>Write</th> <th>Read</th> </tr> </thead> <tbody> <tr> <td>000</td> <td>Multiplicand</td> <td>16 high-order bits of the product</td> </tr> <tr> <td>001</td> <td>Multiplicand</td> <td>16 high-order bits of the product</td> </tr> <tr> <td>010</td> <td>Multiplicand</td> <td>16 high-order of the product</td> </tr> <tr> <td>011</td> <td>16 high-order bits of dividend</td> <td>16 high-order bits of the quotient</td> </tr> <tr> <td>100</td> <td>cos_i</td> <td>cos_0</td> </tr> <tr> <td>101</td> <td>cos</td> <td>U</td> </tr> <tr> <td>110</td> <td>X</td> <td>--</td> </tr> </tbody> </table>	MDU_MD[2:0]	Write	Read	000	Multiplicand	16 high-order bits of the product	001	Multiplicand	16 high-order bits of the product	010	Multiplicand	16 high-order of the product	011	16 high-order bits of dividend	16 high-order bits of the quotient	100	cos_i	cos_0	101	cos	U	110	X	--						
MDU_MD[2:0]	Write	Read																														
000	Multiplicand	16 high-order bits of the product																														
001	Multiplicand	16 high-order bits of the product																														
010	Multiplicand	16 high-order of the product																														
011	16 high-order bits of dividend	16 high-order bits of the quotient																														
100	cos_i	cos_0																														
101	cos	U																														
110	X	--																														

12.4.4 MDU_B(0xC5,0xC4)

MDU_BH(0xC5)																																
Bit	7	6	5	4	3	2	1	0																								
Name	MDU_B[15:8]																															
Type	R/W																															
Reset	0																															
MDU_BL(0xC4)																																
Bit	7	6	5	4	3	2	1	0																								
Name	MDU_B[7:0]																															
Type	R/W																															
Reset	0																															
Bit	Name	Description																														
[15:0]	MDU_B[15:0]	B data register of MDU, the contents of this register in different modes are shown as below. Table 12-9 MDU_B Contents in Different Modes <table border="1" style="margin-left: 40px;"> <thead> <tr> <th>MDU_MD[2:0]</th> <th>Write</th> <th>Read</th> </tr> </thead> <tbody> <tr> <td>000</td> <td>—</td> <td>16 low-order bits of the product</td> </tr> <tr> <td>001</td> <td>—</td> <td>16 low-order bits of the product</td> </tr> <tr> <td>010</td> <td>—</td> <td>16 low-order bits of the product</td> </tr> <tr> <td>011</td> <td>16 low-order bits of the dividend</td> <td>16 low-order bits of the quotient</td> </tr> <tr> <td>100</td> <td>θ</td> <td>—</td> </tr> <tr> <td>101</td> <td>—</td> <td>θ</td> </tr> <tr> <td>110</td> <td>$Y_{k-1}[31:16]$</td> <td>$Y_k[31:16]$</td> </tr> </tbody> </table>							MDU_MD[2:0]	Write	Read	000	—	16 low-order bits of the product	001	—	16 low-order bits of the product	010	—	16 low-order bits of the product	011	16 low-order bits of the dividend	16 low-order bits of the quotient	100	θ	—	101	—	θ	110	$Y_{k-1}[31:16]$	$Y_k[31:16]$
MDU_MD[2:0]	Write	Read																														
000	—	16 low-order bits of the product																														
001	—	16 low-order bits of the product																														
010	—	16 low-order bits of the product																														
011	16 low-order bits of the dividend	16 low-order bits of the quotient																														
100	θ	—																														
101	—	θ																														
110	$Y_{k-1}[31:16]$	$Y_k[31:16]$																														

12.4.5 MDU_C(0xC3,0xC2)

MDU_CH(0xC3)																																
Bit	7	6	5	4	3	2	1	0																								
Name	MDU_C[15:8]																															
Type	R/W																															
Reset	0																															
MDU_CL(0xC2)																																
Bit	7	6	5	4	3	2	1	0																								
Name	MDU_C[7:0]																															
Type	R/W																															
Reset	0																															
Bit	Name	Description																														
[15:0]	MDU_C[15:0]	C data register of MDU, the contents of this register in different modes are shown as below. Table 12-10 MDU_C Contents in Different Modes <table border="1" style="margin-left: 40px;"> <thead> <tr> <th>MDU_MD[2:0]</th> <th>Write</th> <th>Read</th> </tr> </thead> <tbody> <tr> <td>000</td> <td>Multiplier</td> <td>—</td> </tr> <tr> <td>001</td> <td>Multiplier</td> <td>—</td> </tr> <tr> <td>010</td> <td>Multiplier</td> <td>—</td> </tr> <tr> <td>011</td> <td>Divisor</td> <td>Remainder</td> </tr> <tr> <td>100</td> <td>sin_i</td> <td>sin_o</td> </tr> <tr> <td>101</td> <td>sin</td> <td>θ</td> </tr> <tr> <td>110</td> <td>$Y_{k-1}[15:0]$</td> <td>$Y_k[15:0]$</td> </tr> </tbody> </table>							MDU_MD[2:0]	Write	Read	000	Multiplier	—	001	Multiplier	—	010	Multiplier	—	011	Divisor	Remainder	100	sin_i	sin_o	101	sin	θ	110	$Y_{k-1}[15:0]$	$Y_k[15:0]$
MDU_MD[2:0]	Write	Read																														
000	Multiplier	—																														
001	Multiplier	—																														
010	Multiplier	—																														
011	Divisor	Remainder																														
100	sin_i	sin_o																														
101	sin	θ																														
110	$Y_{k-1}[15:0]$	$Y_k[15:0]$																														

12.4.6 MDU_D(0xCB)

Bit	7	6	5	4	3	2	1	0
Name	MDU_D[7:0]							
Type	R/W							
Reset	0							
Bit	Name	Description						
[7:0]	MDU_D[7:0]	D data register of MDU MDU_MD[2:0] = 110: <i>K</i> of LPF						

13 PI/PID

13.1 PI/PID Introduction

PI/PID regulator is a linear controller, where the output is generated by linear combination of error proportional, integral and differential actions, and then implemented by an actuator. In motor control system, it is used to for speed and position control.

PI algorithm:

$$U_k = U_{k-1} + Kp \times (E_k - E_{k-1}) + Ki \times E_k$$

PID algorithm:

$$U_k = U_{k-1} + Kp \times (E_k - E_{k-1}) + Ki \times E_k + Kd \times (E_k - 2 \times E_{k-1} + E_{k-2})$$

Wherein,

U_k : Output for round k of calculation

U_{k-1} : Output for round k-1 of calculation

E_k : Deviation for round k of input

E_{k-1} and E_{k-2} : Deviations for round k-1 and round k-2 of calculation

K_p , K_i and K_d : Proportional (P), integral (I) and differential (D) coefficients of regulator

13.2 PI/PID Features

- Parameter range is configurable
- Support multiple invocations but not with nested interrupt
- Produce a 32-bit result PIx_UK
- Read the results after the busy flag is reset to 0

13.3 PI/PID Operations

1. Initialize MDU before the operations, and configure K_p , K_i , K_d and the maximum and minimum values of U_k ;
2. Set $PI_CR[PIxSTA] = 1$ to start PI/PID operation. The busy flag $PI_CR[PIBSY]$ is automatically set to "1". $PI_CR[PIBSY]$ reading of 0 indicates that the calculation is completed and calculation result PIx_UK is updated.
3. The data format of PI_KP register is Q12 and that of other registers is Q15.
4. $U_{(k-1)}$ and $E_{(k-1)}$ values default to the last calculated U_k and E_k . The related values change after PI_EK1 and PI_UK are written.

When PI controller is invoked repeatedly, related parameters shall be saved after each PI operation and initialized before next PI operation. Initialization codes are shown as below:

```

PIx_EK1 = X;           // Initialize E(k-1)
PIx_UKH = Y1;         // Initialize 16 high-order bits of U(k-1)
PIx_UKL = Y2;         // Initialize 16 low-order bits of U(k-1)

```

13.4 PI/PID Registers

13.4.1 PI_CR (0xF9)

Bit	7	6	5	4	3	2	1	0
Name	T2TSS	RSV	RSV	PIBSY	PI3STA	PI2STA	PI1STA	PI0STA
Type	R/W	R/W	R	R	R/W	R/W	R/W	R/W
Reset	0	0	0	0	0	0	0	0
Bit	Name	Description						
[7]	T2TSS	Input Mode Selection for Timer2 Stepping Motor 0: P1.0 is the direction line, and P0.7 is the pulse counting line 1: P1.0 is reverse pulse counting line, and P0.7 is forward pulse counting line						
[6]	RSV	Reserved						
[5]	RSV	Reserved						
[4]	PIBSY	PI Busy Flag (read only) 0: PI idle 1: PI active						
[3]	PI3STA	PI3 Enable 0: Disable 1: Enable						
[2]	PI2STA	PI2 Enable 0: Disable 1: Enable						
[1]	PI1STA	PI1 Enable 0: Disable 1: Enable						
[0]	PI0STA	PI0 Enable 0: Disable 1: Enable						

13.4.2 PI0_KP (0x02E0, 0x02E1)

PI0_KP (0x02E0)								
Bit	7	6	5	4	3	2	1	0
Name	PI0_KP[15:8]							
Type	R/W	R/W	R/W	R/W	R/W	R/W	R/W	R/W
Reset	0	0	0	0	0	0	0	0
PI0_KP (0x02E1)								
Bit	7	6	5	4	3	2	1	0
Name	PI0_KP[7:0]							
Type	R/W	R/W	R/W	R/W	R/W	R/W	R/W	R/W
Reset	0	0	0	0	0	0	0	0
Bit	Name	Description						
[15:0]	PI0_KP	Proportional coefficient of PI0						

13.4.3 PI0_KI (0x02E2, 0x02E3)

PI0_KI (0x02E2)								
Bit	7	6	5	4	3	2	1	0
Name	PI0_KI[15:8]							
Type	R/W	R/W	R/W	R/W	R/W	R/W	R/W	R/W
Reset	0	0	0	0	0	0	0	0
PI0_KI (0x02E3)								
Bit	7	6	5	4	3	2	1	0
Name	PI0_KI[7:0]							
Type	R/W	R/W	R/W	R/W	R/W	R/W	R/W	R/W
Reset	0	0	0	0	0	0	0	0
Bit	Name	Description						
[15:0]	PI0_KI	Integral coefficient of PI0						

13.4.4 PIO_UKMAX (0x02E4, 0x02E5)

PIO_UKMAX (0x02E4)								
Bit	7	6	5	4	3	2	1	0
Name	PIO_UKMAX[15:8]							
Type	R/W	R/W	R/W	R/W	R/W	R/W	R/W	R/W
Reset	0	0	0	0	0	0	0	0
PIO_UKMAX (0x02E5)								
Bit	7	6	5	4	3	2	1	0
Name	PIO_UKMAX[7:0]							
Type	R/W	R/W	R/W	R/W	R/W	R/W	R/W	R/W
Reset	0	0	0	0	0	0	0	0
Bit	Name	Description						
[15:0]	PIO_UKMAX	Maximum output of PIO						

13.4.5 PIO_UKMIN (0x02E6, 0x02E7)

PIO_UKMIN (0x02E6)								
Bit	7	6	5	4	3	2	1	0
Name	PIO_UKMIN[15:8]							
Type	R/W	R/W	R/W	R/W	R/W	R/W	R/W	R/W
Reset	0	0	0	0	0	0	0	0
PIO_UKMIN (0x02E7)								
Bit	7	6	5	4	3	2	1	0
Name	PIO_UKMIN[7:0]							
Type	R/W	R/W	R/W	R/W	R/W	R/W	R/W	R/W
Reset	0	0	0	0	0	0	0	0
Bit	Name	Description						
[15:0]	PIO_UKMIN	Minimum output of PIO						

13.4.6 PI0_EK1 (0x02E8, 0x02E9)

PI0_EK1 (0x02E8)								
Bit	7	6	5	4	3	2	1	0
Name	PI0_EK1[15:8]							
Type	R/W	R/W	R/W	R/W	R/W	R/W	R/W	R/W
Reset	0	0	0	0	0	0	0	0
PI0_EK1 (0x02E9)								
Bit	7	6	5	4	3	2	1	0
Name	PI0_EK1[7:0]							
Type	R/W	R/W	R/W	R/W	R/W	R/W	R/W	R/W
Reset	0	0	0	0	0	0	0	0
Bit	Name	Description						
[15:0]	PI0_EK1	Previous input deviation of PI0						

13.4.7 PI0_EK (0x02EA, 0x02EB)

PI0_EK (0x02EA)								
Bit	7	6	5	4	3	2	1	0
Name	PI0_EK[15:8]							
Type	R/W	R/W	R/W	R/W	R/W	R/W	R/W	R/W
Reset	0	0	0	0	0	0	0	0
PI0_EK (0x02EB)								
Bit	7	6	5	4	3	2	1	0
Name	PI0_EK[7:0]							
Type	R/W	R/W	R/W	R/W	R/W	R/W	R/W	R/W
Reset	0	0	0	0	0	0	0	0
Bit	Name	Description						
[15:0]	PI0_EK	Present input deviation of PI0						

13.4.8 PIO_UKH (0x02EC, 0x02ED)

PIO_UKH (0x02EC)								
Bit	7	6	5	4	3	2	1	0
Name	PIO_UKH[15:8]							
Type	R/W	R/W	R/W	R/W	R/W	R/W	R/W	R/W
Reset	0	0	0	0	0	0	0	0
PIO_UKH (0x02ED)								
Bit	7	6	5	4	3	2	1	0
Name	PIO_UKH[7:0]							
Type	R/W	R/W	R/W	R/W	R/W	R/W	R/W	R/W
Reset	0	0	0	0	0	0	0	0
Bit	Name	Description						
[15:0]	PIO_UKH	16 high-order bits of PIO output						

13.4.9 PIO_UKL (0x02EE, 0x02EF)

PIO_UKL (0x02EE)								
Bit	7	6	5	4	3	2	1	0
Name	PIO_UKL[15:8]							
Type	R/W	R/W	R/W	R/W	R/W	R/W	R/W	R/W
Reset	0	0	0	0	0	0	0	0
PIO_UKL (0x02EF)								
Bit	7	6	5	4	3	2	1	0
Name	PIO_UKL[7:0]							
Type	R/W	R/W	R/W	R/W	R/W	R/W	R/W	R/W
Reset	0	0	0	0	0	0	0	0
Bit	Name	Description						
[15:0]	PIO_UKL	16 low-order bits of PIO output						

13.4.10 PI1_KP (0x02D0, 0x02D1)

PI1_KP (0x02D0)								
Bit	7	6	5	4	3	2	1	0
Name	PI1_KP [15:8]							
Type	R/W	R/W	R/W	R/W	R/W	R/W	R/W	R/W
Reset	0	0	0	0	0	0	0	0
PI1_KP (0x02D1)								
Bit	7	6	5	4	3	2	1	0
Name	PI1_KP [7:0]							
Type	R/W	R/W	R/W	R/W	R/W	R/W	R/W	R/W
Reset	0	0	0	0	0	0	0	0
Bit	Name	Description						
[15:0]	PI1_KP	Proportional coefficient of PI1						

13.4.11 PI1_KI (0x02D2, 0x02D3)

PI1_KI (0x02D2)								
Bit	7	6	5	4	3	2	1	0
Name	PI1_KI [15:8]							
Type	R/W	R/W	R/W	R/W	R/W	R/W	R/W	R/W
Reset	0	0	0	0	0	0	0	0
PI1_KI (0x02D3)								
Bit	7	6	5	4	3	2	1	0
Name	PI1_KI [7:0]							
Type	R/W	R/W	R/W	R/W	R/W	R/W	R/W	R/W
Reset	0	0	0	0	0	0	0	0
Bit	Name	Description						
[15:0]	PI1_KI	Integral coefficient of PI1						

13.4.12 PI1_UKMAX (0x02D4, 0x02D5)

PI1_UKMAX (0x02D4)								
Bit	7	6	5	4	3	2	1	0
Name	PI1_UKMAX[15:8]							
Type	R/W	R/W	R/W	R/W	R/W	R/W	R/W	R/W
Reset	0	0	0	0	0	0	0	0
PI1_UKMAX (0x02D5)								
Bit	7	6	5	4	3	2	1	0
Name	PI1_UKMAX[7:0]							
Type	R/W	R/W	R/W	R/W	R/W	R/W	R/W	R/W
Reset	0	0	0	0	0	0	0	0
Bit	Name	Description						
[15:0]	PI1_UKMAX	Maximum output of PI1						

13.4.13 PI1_UKMIN (0x02D6, 0x02D7)

PI1_UKMIN (0x02D6)								
Bit	7	6	5	4	3	2	1	0
Name	PI1_UKMIN[15:8]							
Type	R/W	R/W	R/W	R/W	R/W	R/W	R/W	R/W
Reset	0	0	0	0	0	0	0	0
PI1_UKMIN (0x02D7)								
Bit	7	6	5	4	3	2	1	0
Name	PI1_UKMIN[7:0]							
Type	R/W	R/W	R/W	R/W	R/W	R/W	R/W	R/W
Reset	0	0	0	0	0	0	0	0
Bit	Name	Description						
[15:0]	PI1_UKMIN	Minimum output of PI1						

13.4.14 PI1_EK1 (0x02D8, 0x02D9)

PI1_EK1 (0x02D8)								
Bit	7	6	5	4	3	2	1	0
Name	PI1_EK1[15:8]							
Type	R/W	R/W	R/W	R/W	R/W	R/W	R/W	R/W
Reset	0	0	0	0	0	0	0	0
PI1_EK1 (0x02D9)								
Bit	7	6	5	4	3	2	1	0
Name	PI1_EK1[7:0]							
Type	R/W	R/W	R/W	R/W	R/W	R/W	R/W	R/W
Reset	0	0	0	0	0	0	0	0
Bit	Name	Description						
[15:0]	PI1_EK1	Previous input deviation of PI1						

13.4.15 PI1_EK (0x02DA, 0x02DB)

PI1_EK (0x02DA)								
Bit	7	6	5	4	3	2	1	0
Name	PI1_EK[15:8]							
Type	R/W	R/W	R/W	R/W	R/W	R/W	R/W	R/W
Reset	0	0	0	0	0	0	0	0
PI1_EK (0x02DB)								
Bit	7	6	5	4	3	2	1	0
Name	PI1_EK[7:0]							
Type	R/W	R/W	R/W	R/W	R/W	R/W	R/W	R/W
Reset	0	0	0	0	0	0	0	0
Bit	Name	Description						
[15:0]	PI1_EK	Present input deviation of PI1						

13.4.16 PI1_UKH (0x02DC, 0x02DD)

PI1_UKH (0x02DC)								
Bit	7	6	5	4	3	2	1	0
Name	PI1_UKH[15:8]							
Type	R/W	R/W	R/W	R/W	R/W	R/W	R/W	R/W
Reset	0	0	0	0	0	0	0	0
PI1_UKH (0x02DD)								
Bit	7	6	5	4	3	2	1	0
Name	PI1_UKH[7:0]							
Type	R/W	R/W	R/W	R/W	R/W	R/W	R/W	R/W
Reset	0	0	0	0	0	0	0	0
Bit	Name	Description						
[15:0]	PI1_UKH	16 high-order bits of PI1 output						

13.4.17 PI1_UKL (0x02DE, 0x02DF)

PI1_UKL (0x02DE)								
Bit	7	6	5	4	3	2	1	0
Name	PI1_UKL[15:8]							
Type	R/W	R/W	R/W	R/W	R/W	R/W	R/W	R/W
Reset	0	0	0	0	0	0	0	0
PI1_UKL (0x02DF)								
Bit	7	6	5	4	3	2	1	0
Name	PI1_UKL[7:0]							
Type	R/W	R/W	R/W	R/W	R/W	R/W	R/W	R/W
Reset	0	0	0	0	0	0	0	0
Bit	Name	Description						
[15:0]	PI1_UKL	16 low-order bits of PI1 output						

13.4.18 PI2_KP (0x02BC, 0x02BD)

PI2_KP (0x02BC)								
Bit	7	6	5	4	3	2	1	0
Name	PI2_KP [15:8]							
Type	R/W	R/W	R/W	R/W	R/W	R/W	R/W	R/W
Reset	0	0	0	0	0	0	0	0
PI2_KP (0x02BD)								
Bit	7	6	5	4	3	2	1	0
Name	PI2_KP [7:0]							
Type	R/W	R/W	R/W	R/W	R/W	R/W	R/W	R/W
Reset	0	0	0	0	0	0	0	0
Bit	Name	Description						
[15:0]	PI2_KP	Proportional coefficient of PI2						

13.4.19 PI2_KI (0x02BE, 0x02BF)

PI2_KI (0x02BE)								
Bit	7	6	5	4	3	2	1	0
Name	PI2_KI [15:8]							
Type	R/W	R/W	R/W	R/W	R/W	R/W	R/W	R/W
Reset	0	0	0	0	0	0	0	0
PI2_KI (0x02BF)								
Bit	7	6	5	4	3	2	1	0
Name	PI2_KI [7:0]							
Type	R/W	R/W	R/W	R/W	R/W	R/W	R/W	R/W
Reset	0	0	0	0	0	0	0	0
Bit	Name	Description						
[15:0]	PI2_KI	Integral coefficient of PI2						

13.4.20 PI2_UKMAX (0x02C0, 0x02C1)

PI2_UKMAX (0x02C0)								
Bit	7	6	5	4	3	2	1	0
Name	PI2_UKMAX[15:8]							
Type	R/W	R/W	R/W	R/W	R/W	R/W	R/W	R/W
Reset	0	0	0	0	0	0	0	0
PI2_UKMAX (0x02C1)								
Bit	7	6	5	4	3	2	1	0
Name	PI2_UKMAX[7:0]							
Type	R/W	R/W	R/W	R/W	R/W	R/W	R/W	R/W
Reset	0	0	0	0	0	0	0	0
Bit	Name	Description						
[15:0]	PI2_UKMAX	Maximum output of PI2						

13.4.21 PI2_UKMIN (0x02C2, 0x02C3)

PI2_UKMIN (0x02C2)								
Bit	7	6	5	4	3	2	1	0
Name	PI2_UKMIN[15:8]							
Type	R/W	R/W	R/W	R/W	R/W	R/W	R/W	R/W
Reset	0	0	0	0	0	0	0	0
PI2_UKMIN (0x02C3)								
Bit	7	6	5	4	3	2	1	0
Name	PI2_UKMIN[7:0]							
Type	R/W	R/W	R/W	R/W	R/W	R/W	R/W	R/W
Reset	0	0	0	0	0	0	0	0
Bit	Name	Description						
[15:0]	PI2_UKMIN	Minimum output of PI2						

13.4.22 PI2_EK1 (0x02C4, 0x02C5)

PI2_EK1 (0x02C4)								
Bit	7	6	5	4	3	2	1	0
Name	PI2_EK1[15:8]							
Type	R/W	R/W	R/W	R/W	R/W	R/W	R/W	R/W
Reset	0	0	0	0	0	0	0	0
PI2_EK1 (0x02C5)								
Bit	7	6	5	4	3	2	1	0
Name	PI2_EK1[7:0]							
Type	R/W	R/W	R/W	R/W	R/W	R/W	R/W	R/W
Reset	0	0	0	0	0	0	0	0
Bit	Name	Description						
[15:0]	PI2_EK1	Previous input deviation of PI2						

13.4.23 PI2_EK (0x02C6, 0x02C7)

PI2_EK (0x02C6)								
Bit	7	6	5	4	3	2	1	0
Name	PI2_EK[15:8]							
Type	R/W	R/W	R/W	R/W	R/W	R/W	R/W	R/W
Reset	0	0	0	0	0	0	0	0
PI2_EK (0x02C7)								
Bit	7	6	5	4	3	2	1	0
Name	PI2_EK[7:0]							
Type	R/W	R/W	R/W	R/W	R/W	R/W	R/W	R/W
Reset	0	0	0	0	0	0	0	0
Bit	Name	Description						
[15:0]	PI2_EK	Present input deviation of PI2						

13.4.24 PI2_UKH (0x02C8, 0x02C9)

PI2_UKH (0x02C8)								
Bit	7	6	5	4	3	2	1	0
Name	PI2_UKH[15:8]							
Type	R/W	R/W	R/W	R/W	R/W	R/W	R/W	R/W
Reset	0	0	0	0	0	0	0	0
PI2_UKH (0x02C9)								
Bit	7	6	5	4	3	2	1	0
Name	PI2_UKH[7:0]							
Type	R/W	R/W	R/W	R/W	R/W	R/W	R/W	R/W
Reset	0	0	0	0	0	0	0	0
Bit	Name	Description						
[15:0]	PI2_UKH	16 high-order bits of PI2 output						

13.4.25 PI2_UKL (0x02CA, 0x02CB)

PI2_UKL (0x02CA)								
Bit	7	6	5	4	3	2	1	0
Name	PI2_UKL[15:8]							
Type	R/W	R/W	R/W	R/W	R/W	R/W	R/W	R/W
Reset	0	0	0	0	0	0	0	0
PI2_UKL (0x02CB)								
Bit	7	6	5	4	3	2	1	0
Name	PI2_UKL[7:0]							
Type	R/W	R/W	R/W	R/W	R/W	R/W	R/W	R/W
Reset	0	0	0	0	0	0	0	0
Bit	Name	Description						
[15:0]	PI2_UKL	16 low-order bits of PI2 output						

13.4.26 PI2_KD (0x02CC, 0x02CD)

PI2_KD (0x02CC)								
Bit	7	6	5	4	3	2	1	0
Name	PI2_KD[15:8]							
Type	R/W	R/W	R/W	R/W	R/W	R/W	R/W	R/W
Reset	0	0	0	0	0	0	0	0
PI2_KD (0x02CD)								
Bit	7	6	5	4	3	2	1	0
Name	PI2_KD[7:0]							
Type	R/W	R/W	R/W	R/W	R/W	R/W	R/W	R/W
Reset	0	0	0	0	0	0	0	0
Bit	Name	Description						
[15:0]	PI2_KD	Differential coefficient of PI2						

13.4.27 PI2_EK2 (0x02CE, 0x02CF)

PI2_EK2 (0x02CE)								
Bit	7	6	5	4	3	2	1	0
Name	PI2_EK2 [15:8]							
Type	R/W	R/W	R/W	R/W	R/W	R/W	R/W	R/W
Reset	0	0	0	0	0	0	0	0
PI2_EK2 (0x02CF)								
Bit	7	6	5	4	3	2	1	0
Name	PI2_EK2 [7:0]							
Type	R/W	R/W	R/W	R/W	R/W	R/W	R/W	R/W
Reset	0	0	0	0	0	0	0	0
Bit	Name	Description						
[15:0]	PI2_EK2	Previous input deviation of PI2						

13.4.28 PI3_KP (0x02A8, 0x02A9)

PI3_KP (0x02A8)								
Bit	7	6	5	4	3	2	1	0
Name	PI3_KP [15:8]							
Type	R/W	R/W	R/W	R/W	R/W	R/W	R/W	R/W
Reset	0	0	0	0	0	0	0	0
PI3_KP (0x02A9)								
Bit	7	6	5	4	3	2	1	0
Name	PI3_KP [7:0]							
Type	R/W	R/W	R/W	R/W	R/W	R/W	R/W	R/W
Reset	0	0	0	0	0	0	0	0
Bit	Name	Description						
[15:0]	PI3_KP	Proportional coefficient of PI3						

13.4.29 PI3_KI (0x02AA, 0x02AB)

PI3_KI (0x02AA)								
Bit	7	6	5	4	3	2	1	0
Name	PI3_KI [15:8]							
Type	R/W	R/W	R/W	R/W	R/W	R/W	R/W	R/W
Reset	0	0	0	0	0	0	0	0
PI3_KI (0x02AB)								
Bit	7	6	5	4	3	2	1	0
Name	PI3_KI [7:0]							
Type	R/W	R/W	R/W	R/W	R/W	R/W	R/W	R/W
Reset	0	0	0	0	0	0	0	0
Bit	Name	Description						
[15:0]	PI3_KI	Integral coefficient of PI3						

13.4.30 PI3_UKMAX (0x02AC, 0x02AD)

PI3_UKMAX (0x02AC)								
Bit	7	6	5	4	3	2	1	0
Name	PI3_UKMAX[15:8]							
Type	R/W	R/W	R/W	R/W	R/W	R/W	R/W	R/W
Reset	0	0	0	0	0	0	0	0
PI3_UKMAX (0x02AD)								
Bit	7	6	5	4	3	2	1	0
Name	PI3_UKMAX[7:0]							
Type	R/W	R/W	R/W	R/W	R/W	R/W	R/W	R/W
Reset	0	0	0	0	0	0	0	0
Bit	Name	Description						
[15:0]	PI3_UKMAX	Maximum output of PI3						

13.4.31 PI3_UKMIN (0x02AE, 0x02AF)

PI3_UKMIN (0x02AE)								
Bit	7	6	5	4	3	2	1	0
Name	PI3_UKMIN[15:8]							
Type	R/W	R/W	R/W	R/W	R/W	R/W	R/W	R/W
Reset	0	0	0	0	0	0	0	0
PI3_UKMIN (0x02AF)								
Bit	7	6	5	4	3	2	1	0
Name	PI3_UKMIN[7:0]							
Type	R/W	R/W	R/W	R/W	R/W	R/W	R/W	R/W
Reset	0	0	0	0	0	0	0	0
Bit	Name	Description						
[15:0]	PI3_UKMIN	Minimum output of PI3						

13.4.32 PI3_EK1 (0x02B0, 0x02B1)

PI3_EK1 (0x02B0)								
Bit	7	6	5	4	3	2	1	0
Name	PI3_EK1[15:8]							
Type	R/W	R/W	R/W	R/W	R/W	R/W	R/W	R/W
Reset	0	0	0	0	0	0	0	0
PI3_EK1 (0x02B1)								
Bit	7	6	5	4	3	2	1	0
Name	PI3_EK1[7:0]							
Type	R/W	R/W	R/W	R/W	R/W	R/W	R/W	R/W
Reset	0	0	0	0	0	0	0	0
Bit	Name	Description						
[15:0]	PI3_EK1	Previous input deviation of PI3						

13.4.33 PI3_EK (0x02B2, 0x02B3)

PI3_EK (0x02B2, 0x02B3)								
PI3_EK (0x02B2)								
Bit	7	6	5	4	3	2	1	0
Name	PI3_EK[15:8]							
Type	R/W	R/W	R/W	R/W	R/W	R/W	R/W	R/W
Reset	0	0	0	0	0	0	0	0
PI3_EK (0x02B3)								
Bit	7	6	5	4	3	2	1	0
Name	PI3_EK[7:0]							
Type	R/W	R/W	R/W	R/W	R/W	R/W	R/W	R/W
Reset	0	0	0	0	0	0	0	0
Bit	Name	Description						
[15:0]	PI3_EK	Present input deviation of PI3						

13.4.34 PI3_UKH (0x02B4, 0x02B5)

PI3_UKH (0x02B4)								
Bit	7	6	5	4	3	2	1	0
Name	PI3_UKH[15:8]							
Type	R/W	R/W	R/W	R/W	R/W	R/W	R/W	R/W
Reset	0	0	0	0	0	0	0	0
PI3_UKH (0x02B5)								
Bit	7	6	5	4	3	2	1	0
Name	PI3_UKH[7:0]							
Type	R/W	R/W	R/W	R/W	R/W	R/W	R/W	R/W
Reset	0	0	0	0	0	0	0	0
Bit	Name	Description						
[15:0]	PI3_UKH	16 high-order bits of PI3 output						

13.4.35 PI3_UKL (0x02B6, 0x02B7)

PI3_UKL (0x02B6)								
Bit	7	6	5	4	3	2	1	0
Name	PI3_UKL[15:8]							
Type	R/W	R/W	R/W	R/W	R/W	R/W	R/W	R/W
Reset	0	0	0	0	0	0	0	0
PI3_UKL (0x02B7)								
Bit	7	6	5	4	3	2	1	0
Name	PI3_UKL[7:0]							
Type	R/W	R/W	R/W	R/W	R/W	R/W	R/W	R/W
Reset	0	0	0	0	0	0	0	0
Bit	Name	Description						
[15:0]	PI3_UKL	16 low-order bits of PI3 output						

13.4.36 PI3_KD (0x02B8, 0x02B9)

PI3_KD (0x02B8)								
Bit	7	6	5	4	3	2	1	0
Name	PI3_KD[15:8]							
Type	R/W	R/W	R/W	R/W	R/W	R/W	R/W	R/W
Reset	0	0	0	0	0	0	0	0
PI3_KD (0x02B9)								
Bit	7	6	5	4	3	2	1	0
Name	PI3_KD[7:0]							
Type	R/W	R/W	R/W	R/W	R/W	R/W	R/W	R/W
Reset	0	0	0	0	0	0	0	0
Bit	Name	Description						
[15:0]	PI3_KD	Differential coefficient of PI3						

13.4.37 PI3_EK2 (0x02BA, 0x02BB)

PI3_EK2 (0x02BA, 0x02BB)								
PI3_EK2 (0x02BA)								
Bit	7	6	5	4	3	2	1	0
Name	PI3_EK2 [15:8]							
Type	R/W	R/W	R/W	R/W	R/W	R/W	R/W	R/W
Reset	0	0	0	0	0	0	0	0
PI3_EK2 (0x02BB)								
Bit	7	6	5	4	3	2	1	0
Name	PI3_EK2 [7:0]							
Type	R/W	R/W	R/W	R/W	R/W	R/W	R/W	R/W
Reset	0	0	0	0	0	0	0	0
Bit	Name	Description						
[15:0]	PI3_EK2	Previous input deviation of PI3						

14 FOC/SVPWM

14.1 FOC/SVPWM Overview

14.1.1 FOC/SVPWM Introduction

The FOC/SVPWM module is used in sensorless and sensed FOC motor drive applications. As SVPWM is a subset of FOC module, FOC/SVPWM module hereinafter are referred to as FOC module. When $DRV_CR[FOC_EN] = 0$, FOC module is inactivated, and the FOC clock stops. The relevant FOC registers are forced into the reset state and cannot be written.

The FOC module consists of angle estimator, PI controller, coordinate transform module and PWM output module. The angle estimator uses the sampling motor current to estimate the rotor position and implement sensorless FOC-based motor control. MCU can also process Hall signals to implement sensed FOC-based control. Moreover, FOC module contains a closed-loop current circuitry, which outputs 6-channel PWM for motor control by the given command value of I_D and I_Q . Meanwhile, ADC module automatically collects the current of the motor and feeds it back to FOC module to fulfill the closed-loop current control.

- Sensorless FOC: Angle for coordinate transformation is obtained by angle estimator, and the motor speed is estimated for speed closed-loop control.
- Sensor-based FOC (Single/Dual/Triple Hall): FOC module provides the angle input interface. MCU samples Hall signals and calculates electrical angle of the motor. Software sends the result to FOC module for coordinate transformation.

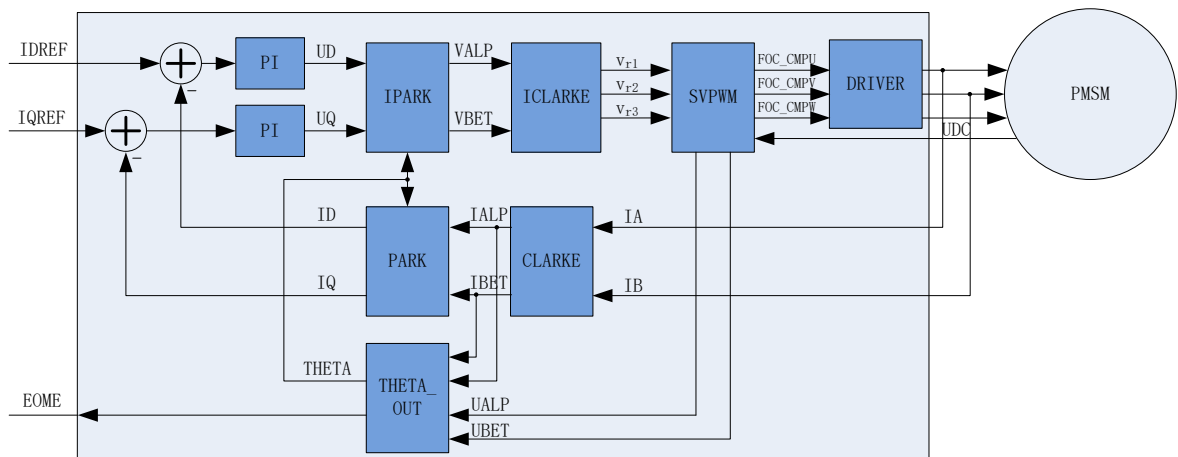


Figure 14-1 FOC Block Diagram

14.1.2 Reference Voltage (VREF) Input

The FOC module implements closed-loop control based on current feedback, and uses the d-axis current reference value FOC_IDREF and the q-axis current reference value FOC_IQREF as the reference. FOC module outputs real-time estimated motor speed FOC_EOME . MCU can use FOC_EOME as the feedback to build speed loop and send the output of speed loop to FOC_IQREF to implement the speed-current dual closed loop control.

14.1.3 PI Controller

FOC module integrates 4 PI controllers:

1. Flux control: PI controller of d-axis current, with current reference FOC_IDREF minus feedback current FOC_ID as the error input, proportional coefficient FOC_DQKP and the integral coefficient FOC_DQKI for adjustment of PI performance, and FOC_DMAX and FOC_DMIN for limiting of the output amplitude. The output is voltage reference of d-axis FOC_UD;
2. Torque control: PI controller of q-axis current, with current reference FOC_IQREF minus feedback current FOC_IQ as the error input, proportional coefficient FOC_DQKP and the integral coefficient FOC_DQKI for adjustment of PI performance, and FOC_QMAX and FOC_QMIN for limiting of the output amplitude. The output is voltage reference of q-axis FOC_UQ.
3. Angle estimation: PI controller of angle estimator, with feedback current and voltage reference as the input, proportional coefficient FOC_EKP and integral coefficient FOC_EKI for adjustment of PI performance. The output is the estimated angle FOC_ETHETA and the estimated speed FOC_EOME.
4. PLL estimation: PI controller of PLL estimator, with feedback current and voltage reference as the input, proportional coefficient FOC_PLLKP and integral coefficient FOC_PLLKI for adjustment of PI performance. The output is the estimated BEMF.

14.1.4 Coordinate Transformation

14.1.4.1 Inverse Park Transformation

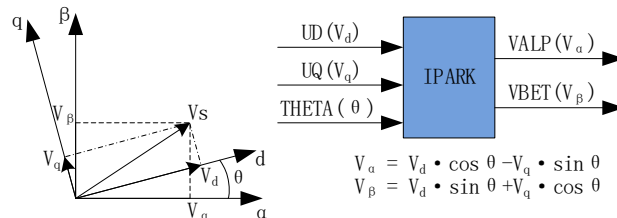


Figure 14-2 Inverse Park Transformation

Inverse Park transformation is used to transform two voltage vectors obtained by PI controller, FOC_UD and FOC_UQ, from dq-axis coordinate to $\alpha\beta$ -axis coordinate.

14.1.4.2 Inverse Clarke Transformation

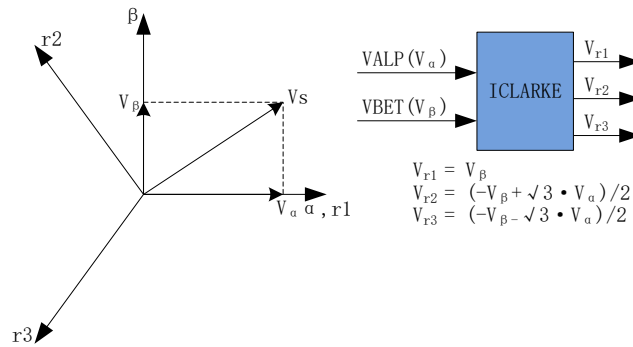


Figure 14-3 Inverse Clarke Transformation

Inverse Clarke transformation is used to transform voltage vector from $\alpha\beta$ -axis coordinate to 3-phase stationary coordinate.

14.1.4.3 CLARKE Transformation

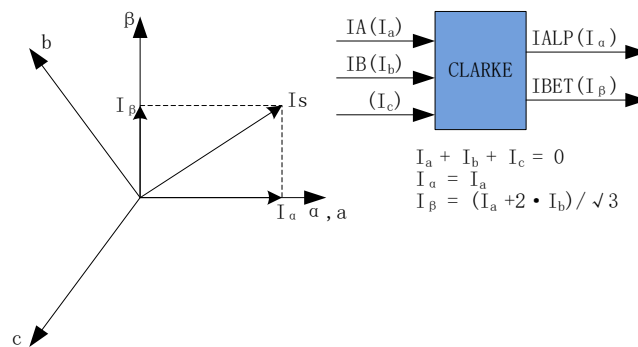


Figure 14-4 Clarke Transformation

Clarke transformation is used to transform the sampled current from 3-phase stationary coordinate to $\alpha\beta$ -axis coordinate.

14.1.4.4 PARK Transformation

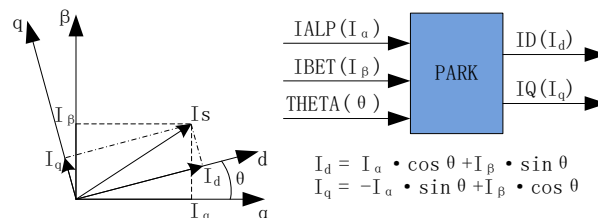


Figure 14-5 Park Transformation

Park transformation is used to transform the current vectors, obtained after Clarke transformation, from

$\alpha\beta$ -axis coordinate to dq-axis coordinate to get the sampled dq-axis current FOC__ID and FOC__IQ.

14.1.5 SVPWM

SVPWM algorithm is an important part of FOC. The main idea is to obtain quasi-circular rotating magnetic field by switching the inverter space voltage vectors. This method decreases harmonic components of the phase current, harmonic losses of the motor and torque ripple, and achieves high voltage utilization.

SVPWM generates pulse-width modulation signals for the 3-phase motor voltage control, whose process can be reduced to a few simple equations. Since high side and low side of the inverter cannot be turned on simultaneously, there are two states for a phase, i.e., phase connected to bus voltage (represented by 1) or phase connected to ground (represented by 0). Therefore, voltage vector output of the inverter has a total of $2^3 = 8$ possible states. When the states of 3-phase are all 1 or 0, there is no voltage drop between two phases and the state is called inactive state or zero voltage vector. The other 6 states which have voltage output are active voltage vectors with an adjacent state rotation offset of 60 degrees.

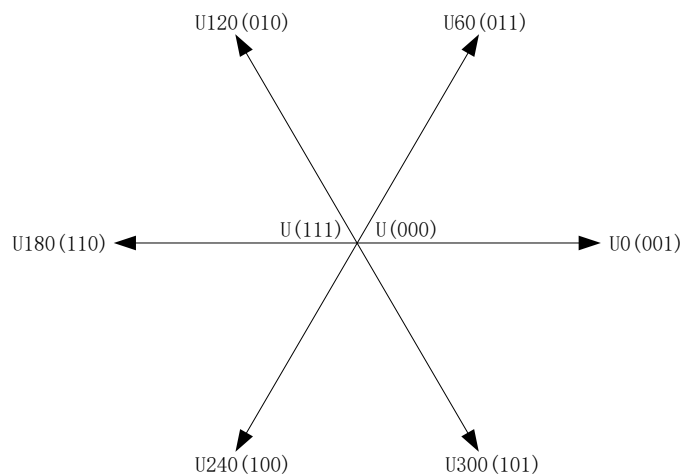


Figure 14-6 SVPWM Voltage Vector

SVPWM uses the sum of two adjacent vectors to generate any voltage vector located in the voltage vector space. As shown in the below figure, U_{OUT} is the desired vector and it is in the sector between $U60$ and $U0$. Based on the principle of equal impulse, the effect, $U0$ applied $2 \cdot T1$ time and $U60$ applied $2 \cdot T2$ time, is equivalent to the U_{OUT} . The rest of time ($T0$) is applied by zero voltage vector.

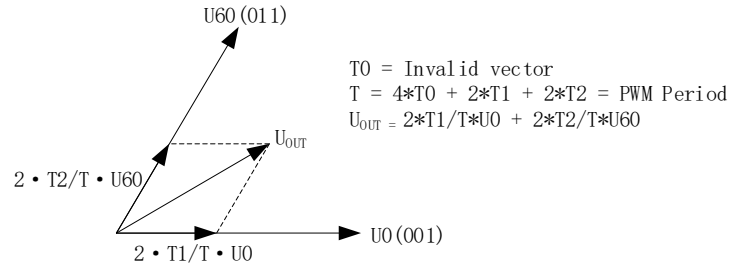


Figure 14-7 Voltage Vector Synthesis

Table 14-1 Inverter States of SVPWM

C-phase	B-phase	A-phase	V _{ab}	V _{bc}	V _{ca}	V _{ds}	V _{qs}	Vectors
0	0	0	0	0	0	0	0	U(000)
0	0	1	V _{DC}	0	-V _{DC}	2/3V _{DC}	0	U ₀
0	1	1	0	V _{DC}	-V _{DC}	1/3V _{DC}	1/3V _{DC}	U ₆₀
0	1	0	-V _{DC}	V _{DC}	0	-1/3V _{DC}	1/3V _{DC}	U ₁₂₀
1	1	0	-V _{DC}	0	V _{DC}	-2/3V _{DC}	0	U ₁₈₀
1	0	0	0	-V _{DC}	V _{DC}	-1/3V _{DC}	-1/3V _{DC}	U ₂₄₀
1	0	1	V _{DC}	-V _{DC}	0	1/3V _{DC}	-1/3V _{DC}	U ₃₀₀
1	1	1	0	0	0	0	0	U(111)

14.1.5.1 Continuous SVPWM

In single-shunt current sampling mode, Continuous SVPWM is always used. In dual/triple-shunt current sampling mode, FOC_CR2[F5SEG] is set to “0” to select Continuous SVPWM as the output mode.

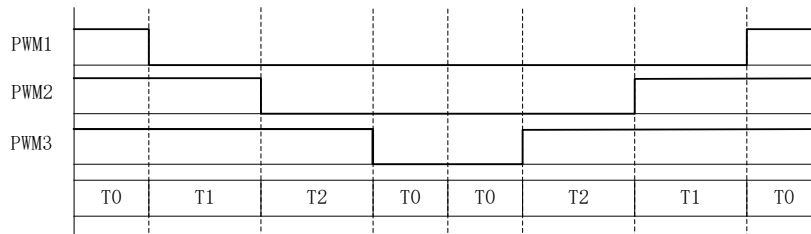


Figure 14-8 Output Level of Seven-segment SVPWM

14.1.5.2 Discontinuous SVPWM

Discontinuous SVPWM is available in dual/triple-resistances current sampling mode. FOC_CR2[F5SEG] is set to “1” to activate this mode.

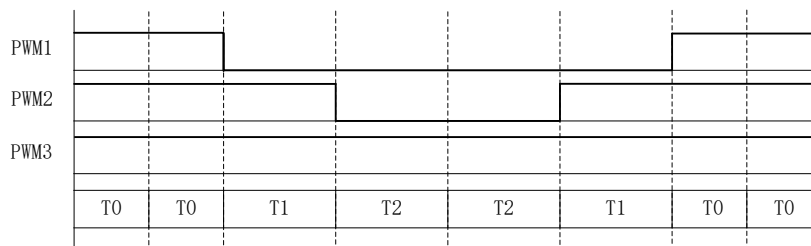


Figure 14-9 Output Level of Five-segment SVPWM

14.1.6 Overmodulation

Overmodulation is available in single/dual/triple-shunt current sampling mode. FOC_CR1[OVMDL] is set to “1” to enable overmodulation feature. The voltage output, FOC__UD, FOC__UQ and related limit amplitudes are multiplied by 1.15 in this mode.

14.1.7 Deadtime Compensation

Deadtime compensation is available in dual/triple-shunt current sampling mode. The compensation value of deadtime is configured by FOC_TSMIN. This mode improves the quality of phase current at low speed.

14.1.8 Current and Voltage Sampling

In FOC mode, bus voltage and phase current are sampled by hardware automatically. Before the FOC module operates, ADC (ADC_CR[ADCEN]=1) and operational amplifier shall be enabled and the corresponding control registers be configured. No configuration is required for ADC channel and mode. Current sampling mode, single/dual/triple-shunt, is selected by setting FOC_CR1[CSM]. In single-shunt mode, default sampling channel of the bus current (itrip) is ADC channel 4. In dual-shunt mode, default sampling channels of A-phase current (ia) and B-phase current (ib) are ADC channel 0 and channel 1. In triple-shunt mode, default sampling channels of ia, ib and C-phase current (ic) are ADC channel 0, channel 1 and channel 4 respectively. Channel 14, with built-in voltage divider to sample VCC directly, or channel 2 can be selected for bus voltage sampling.

14.1.8.1 Single-shunt Current Sampling Mode

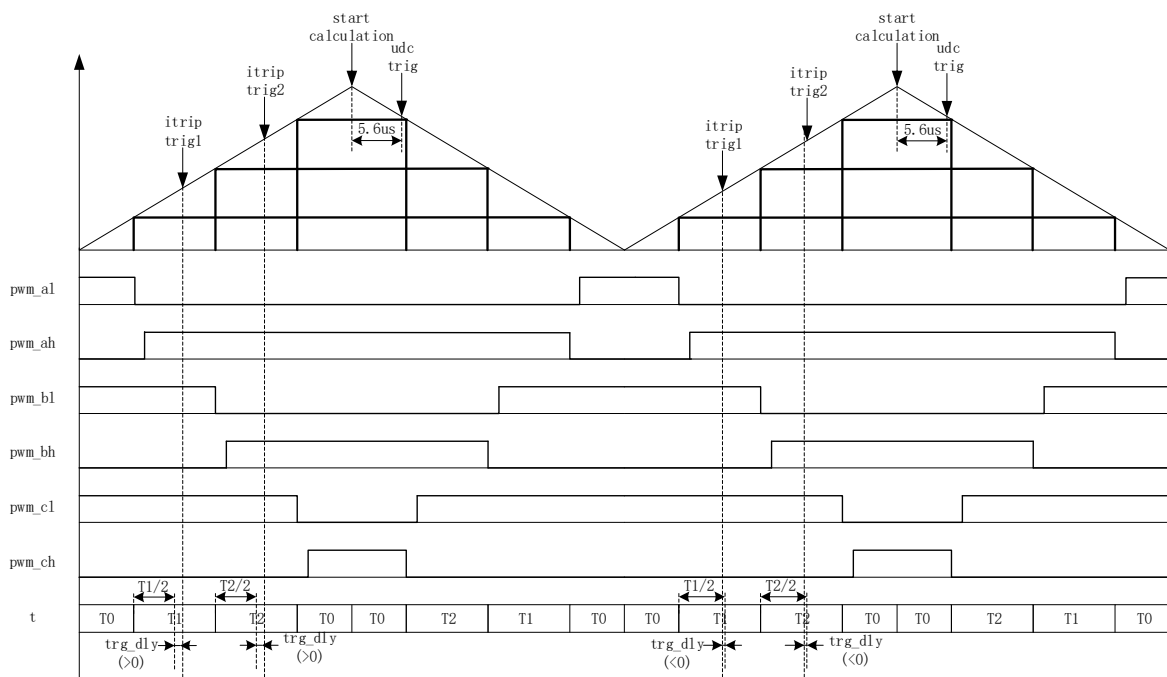


Figure 14-10 Single-shunt Sampling Timing

FOC_CR1[CSM] is set to “00” to select the single-shunt current sampling mode. In this mode, FOC

module samples i_{trip} twice during the DRV timer counting-up operation, and samples bus voltage during the DRV timer counting-down operation and after FOC module completes the calculation.

Since deadtime affects the accuracy of current sampling, FOC module samples within $T1'$ and $T2'$, which is the applied time of active voltage vector with deadtime removed. FOC_TRGDLY is the register which moves the current sampling time, and this register shall be configured reasonably to ensure sampling is completed within $T1'$ and $T2'$. For example, FOC_TRGDLY = 5, the sampling time is delayed for $5 * T = 208\text{ns}$; FOC_TRGDLY = 0xFB(-5), the sampling time is advanced for $5 * T = 208\text{ns}$.

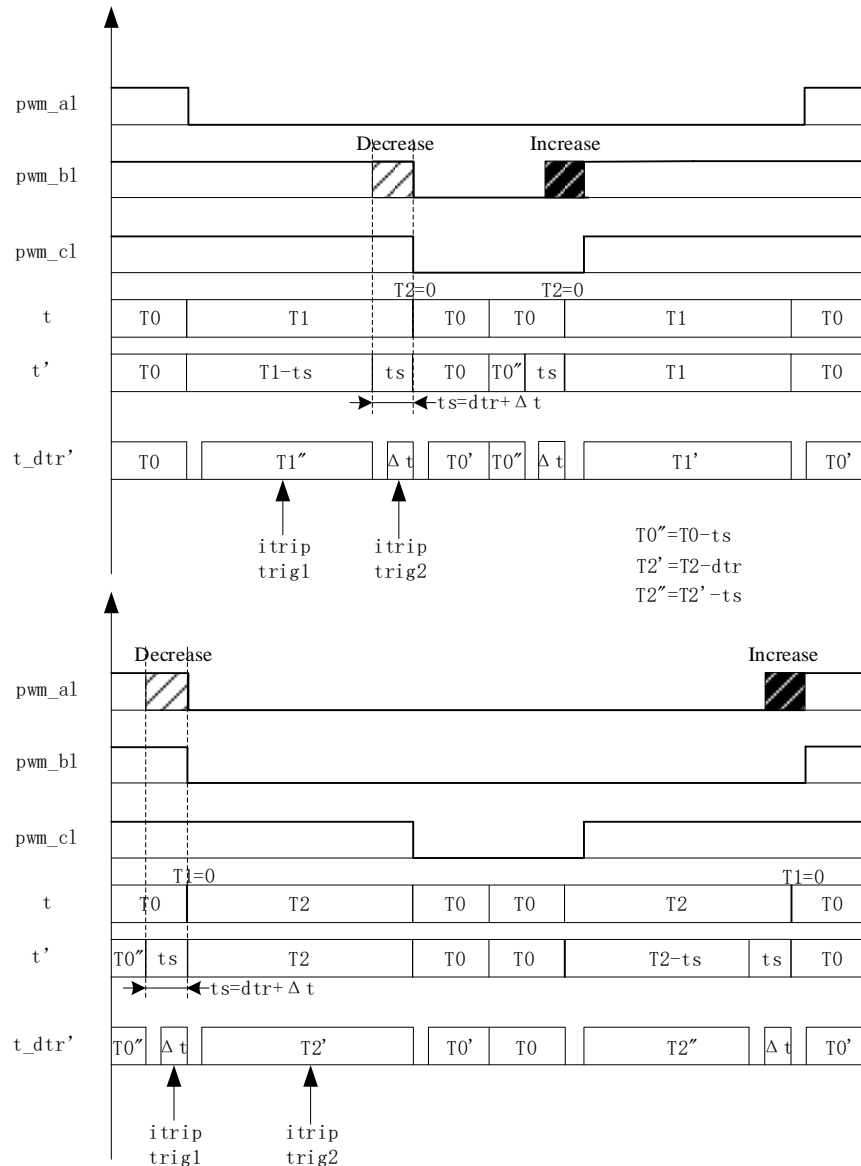


Figure 14-11 Time Compensation in Single-shunt Current Sampling Mode

The time of single resistance sampling window may be not enough to sample the current in low modulation index and sector switching area. PWM waveform shall be adjusted to ensure the minimum sampling window required in the case. FOC_TSMIN (FOC_TSMIN = minimum sampling window +

deadtime) is used to configure the compensation value of deadtime, and FOC module adjusts the PWM waveform automatically.

14.1.8.2 Dual/Triple-shunt Current Sampling Mode

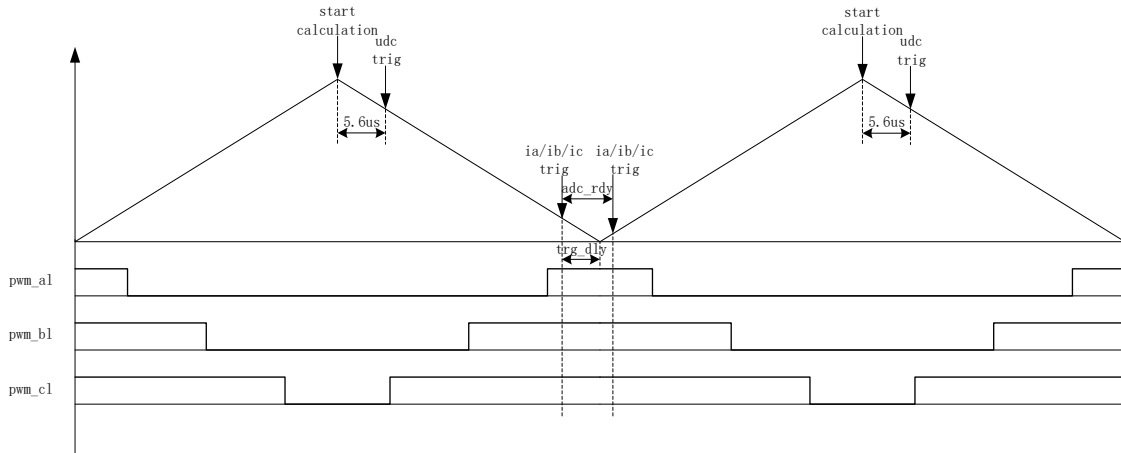


Figure 14-12 Dual/Triple-shunt Sequential Current Sampling Mode

FOC_CR1[CSM] is set to “10/11” and FOC_CR2[DSS] to “0” to select dual/triple-shunt current sampling mode. In triple-shunt mode, FOC_TRGDLY is used to configure the sampling time of a phase current (ia/ib/ic is determined according to the sector), and other phases are sampled at the end of previous sampling. In dual-shunt mode, FOC_TRGDLY is used to configure the sampling time of ia, and ib is sampled at the end of ia sampling. TRG_DLY shall be configured reasonably to ensure current sampling time is within zero voltage vector (000). For example, when FOC_TRGDLY = 0xB2 and FOC counter counts down, ia/ib/ic is sampled at $50 * T = 2.08\mu s$ before an underflow event, and then the other phases of ia/ib/ic are sampled.

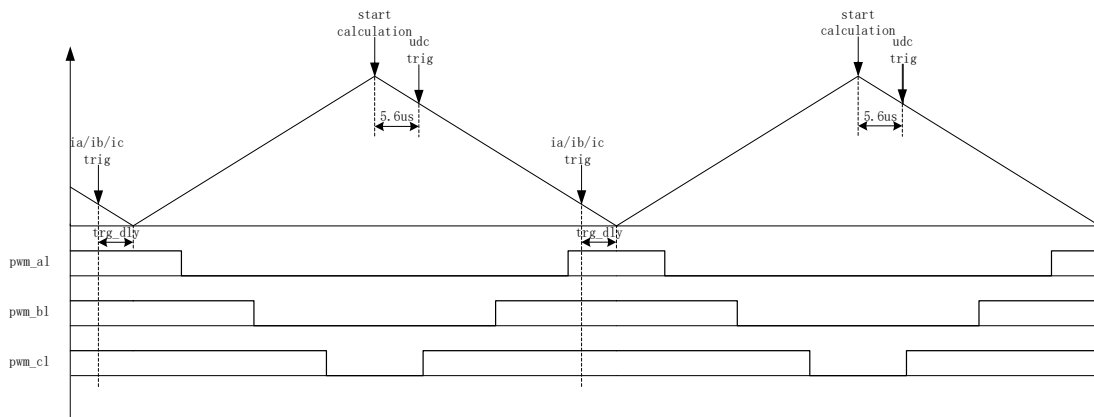


Figure 14-13 Dual/Triple-shunt Alternate Current Sampling Mode

FOC_CR1[CSM] is set to “10/11” and FOC_CR2[DSS] to “1” to select dual/triple-shunt alternating current sampling mode. In this mode, FOC module performs calculation in every PWM cycle. However, only one phase current is sampled at each PWM cycle (ia/ib/ic is determined according to the sector). The first carrier cycle samples one phase of the ia/ib/ic, and the second carrier cycle samples the current of the other

phase, so as to alternately sample the current of two phases in three phases. FOC_TRGDLY is used to configure the sampling time of ia (channel 0), ib (channel 1) and ic (channel 4). TRG_DLY shall be configured reasonably to ensure sampling time for the ia/ib/ic current is within zero voltage vector (000). For example, when FOC_TRGDLY = 0xB2 and FOC counter counts-down, phase current is sampled at $50 \cdot T = 2.08\mu\text{s}$ before an underflow event.

14.1.8.3 Current Sampling Offset

The current sampling offset voltage shall be added to sample full range of current due to the existence of the positive and negative phase current. When phase current is 0, ADC result is the offset value. ADC result minus this value, 0x4000 default, is the sampling current. Since ADC reference voltage and hardware are nonideal, there is a deviation between the default value and the real value. Therefore, it is necessary to calibrate the offset. The calibration procedure is as follows. When there is no current in three phases, MCU starts to sample the corresponding channel several times, averaging all the sampled value, is written to FOC_CSO. Providing ADC sampling range is 0 ~ 5V and the offset is 2.5V, $\text{FOC_CSO} = 2.5\text{V}/5\text{V} \cdot 32768 = 16384$ (0x4000).

- When FOC_CHC[CSOC] = 00/11, FOC_CSO is written to modify the offset of itrip and ic
- When FOC_CHC[CSOC] = 01, FOC_CSO is written to modify the offset of ia
- When FOC_CHC[CSOC] = 10, FOC_CSO is written to modify the offset of ib

14.1.9 Angle Mode

Angle module includes angle estimation module, ramping module and estimated angle smooth switching module. The sources of angle are as follows:

- Forced ramping angle
- Forced pulling angle
- Estimated angle of estimator
- Forced angle of estimator

Table 14-2 Sources of Angle

FOC_CRI[RFAE]	FOC_CRI[ANGM]	FOC_CRI[EFAE]	Source
1	x	x	Ramp force angle
0	0	x	Force pull angle
0	1	0	Estimated angle of estimator
0	1	1	$\omega > \text{FOC_EFREQMIN}$: Estimated angle of estimator $\omega < \text{FOC_EFREQMIN}$: Force angle of Estimator

14.1.9.1 Forced Ramping Angle

Forced ramping angle is controlled by angle register FOC__THETA, speed register FOC__RTHSTEP, acceleration register FOC__RTHEACC and ramping timer FOC__RTHECNT. The formula is:

$$\text{FOC_RTHSTEP (32-bit)} = \text{FOC_RTHSTEP (32-bit)} + \text{FOC_RTHEACC (16 low-order bits)}$$
$$\text{THETA_OL (16-bit)} = \text{THETA_OL (16-bit)} + \text{FOC_RTHSTEP (16 high-order bits)}$$

Where, THETA_OL is an internal variable of the chip. In forced ramping angle mode, THETA_OL is written to FOC_THETA as the used angle. If the software writes a value to FOC__THETA, this value is written to THETA_OL as well.

Forced ramping angle has the highest priority. Configuring FOC_CR1[RFAE] to “1” enables the ramping feature. Ramping module makes a ramping operation in every PWM cycle and the counter is added by 1. When the value of the counter reaches the set value by FOC_RTHECNT, FOC_CR1[RFAE] is cleared by hardware, and then the ramping is completed. Thereafter, according to the value of FOC_CR1[ANGM], the angle comes from estimator (FOC_CR1[ANGM] = 1) or force pull angle (FOC_CR1[ANGM] = 0).

14.1.9.2 Forced Pulling Angle

Forced pulling angle is controlled by angle register FOC_THETA and speed register FOC_RTHSTEP. The formula is:

$$\text{THETA_OL (16-bit)} = \text{THETA_OL (16-bit)} + \text{FOC_RTHSTEP (16 high-order bits)}$$

Where, THETA_OL is an internal variable of the chip. In forced pulling angle mode, THETA_OL is written to FOC_THETA as the used angle. If the software writes a value to FOC__THETA, this value is written to THETA_OL as well.

- When FOC_CR1[RFAE] is set to “1” and FOC_CR1[ANGM] to “0”, MCU switches to forced pulling angle mode starts after forced ramping angle mode. The speed is the cumulative result after ramp force angle mode. This mode implements a forced uniform speed control.
- When FOC_CR1[RFAE] is set to “0” and FOC_CR1[ANGM] to “0”, the angle is the forced pulling angle and the speed of FOC_RTHSTEP is the initial speed written by software. Configuring FOC_RTHSTEP to “0” enables the pre-position feature. The sensor-based FOC is implemented after the motor speed is set with RTHSTEP. (Principle of Sensor-based FOC: The angle and speed are written to FOC__THETA and FOC__RTHSTEP by software, and FOC module generates an angle in each PWM cycle based on the written values.)

14.1.9.3 Estimator Output Angle

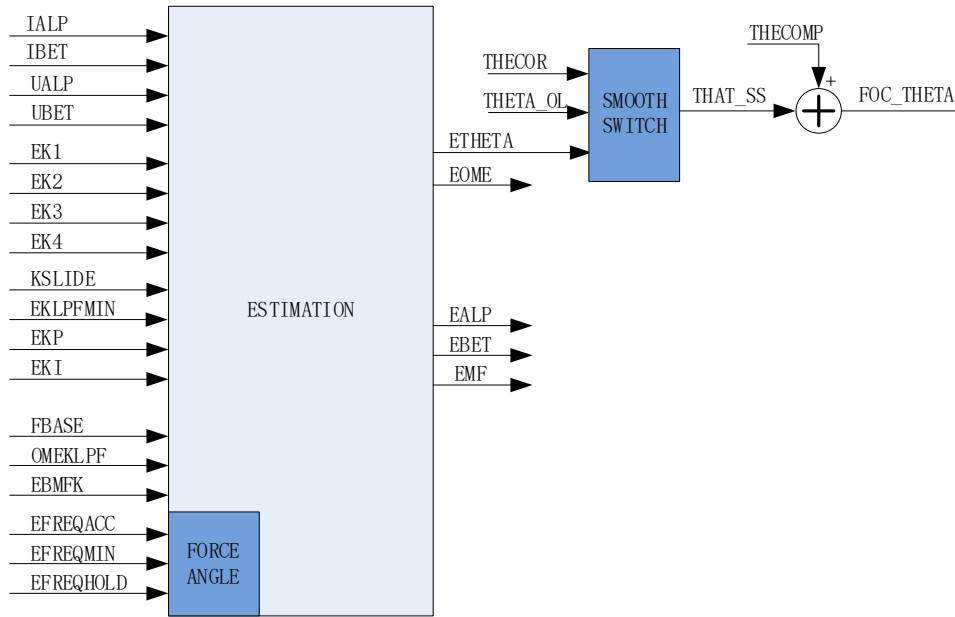


Figure 14-14 Schematic Block Diagram of Estimator

The current and voltage collected by the estimator is used to calculate the angle, speed and BEMF according to the motor parameters and control parameters.

1. Estimated Angle of Estimator

The estimator builds the motor model based on the motor parameters and control parameters, and outputs the estimated angle based on based on the sampled current and voltage. The estimator works in PLL mode or SMO mode by configuring the FOC_CR2[ESEL] bit.

2. Forced Angle of Estimator

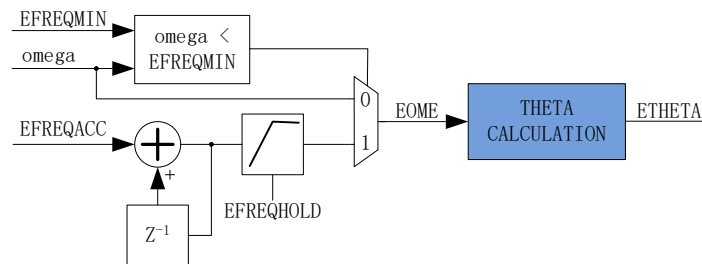


Figure 14-15 Schematic Diagram of Estimator Force Angle

This feature is similar to the ramping feature. Due to the low speed at motor starting process, there may be a deviation in angle and speed estimation with the small effective signal, resulting in startup failure. In this case, the estimator outputs the forced angle to ensure the motor start normally.

The forced angle feature of the estimator is enabled when FOC_CR1[RFAE] is set to “0”, FOC_CR1[ANGM] to “1” and FOC_CR1[EFAE] to “1”. As shown in the above figure, the estimator

compares the value of real-time estimated speed (ω) and FOC_EFREQMIN to determine ω or forced speed (FOC_ETHERETA) as the used speed (OME). When $\omega < \text{FOC_EFREQMIN}$, the forced speed is selected as EOME. The forced speed starts with 0 and increases by FOC_EFREQACC in each PWM cycle, with the maximum value FOC_EFREQHOLD. When $\omega \geq \text{FOC_EFREQMIN}$, ω is selected as EOME.

3. Angle Smooth Switching

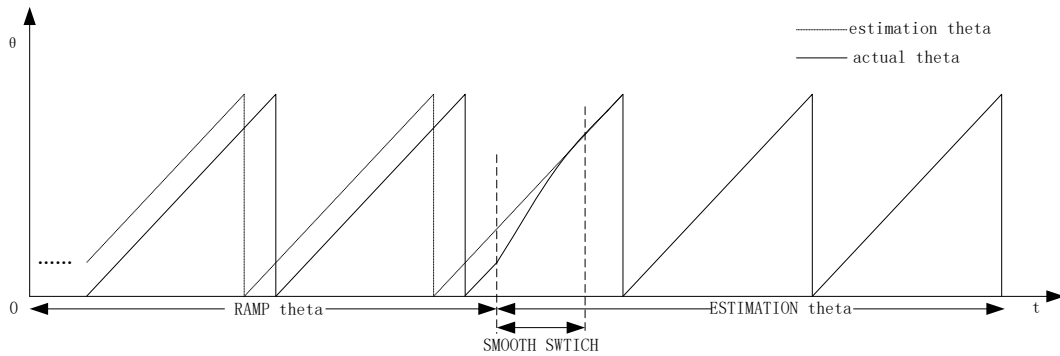


Figure 14-16 Angle Smooth Switching Curve

When FOC_CR1[RFAE] is set to “1” and FOC_CR1[ANGM] to “1”, the motor starts with ramping feature, and it switches to estimator angle mode after the ramping. However, there is usually a deviation between the estimated angle (FOC_ETHERETA) and the forced ramping angle (THETA_OL). If the angle is switched from forced ramping angle to estimated angle directly, motor jitter may occur due to such a sudden change. To deal with this problem, a smooth switching is preferred.

After ramping, if the deviation between FOC_ETHERETA and THETA_OL is less than or equal to FOC_THECOR, FOC_ETHERETA is selected as the output angle. But if the deviation is larger than FOC_THECOR, THETA_OL is modified smoothly with the step of FOC_THECOR at every PWM cycle until it is close to FOC_ETHERETA. After the deviation is less than THECOR, FOC_ETHERETA is selected as the output angle.

4. Angle Compensation

Angle compensation value FOC_THECOMP is used to compensate for the estimated angle FOC_ETHERETA. If FOC_THECOMP is negative, the lagged angle is compensated; if it is positive, the advanced angle is compensated.

14.1.10 Motor Real Time Parameters

MCU monitors the state of motor using the following real time variables provided by FOC module:

- Used angle FOC_THETA
- Estimated angle FOC_ETHERETA, Estimated speed FOC_EOME
- d-axis voltage FOC_UD, q-axis voltage FOC_UQ

- d-axis current FOC__ID, q-axis current FOC__IQ
- α -axis voltage FOC__VALP, β -axis voltage FOC__VBET
- Bus voltage FOC__UDCFLT
- Phase current FOC__IA, FOC__IB, FOC__IC and maximum phase current FOC__IAMAX, FOC__IBMAX, FOC__ICMAX
- α -axis current (equal to FOC__IA), β -axis current FOC__IBET
- α -axis BEMF FOC__EALP, β -axis BEMF FOC__EBET
- Magnitude of BEMF FOC__EMF
- Motor power FOC__POW

14.1.10.1 Tailwind/headwind Detection

FOC module provides tailwind/headwind detection feature. FOC module starts to operate when FOC_CR0 [ESCMS] is set to “1”, FOC_IDREF to “0” and FOC_IQREF to “0”. Motor’s rotor state is detected by FOC_ETHERTA and FOC_EOME. If FOC_ETHERTA decreases or FOC_EOME is a negative value, the motor rotates in the headwind state and it is necessary to brake first and then start the motor with ramping forced angle mode. If FOC_ETHERTA increases or FOC_EOME is a positive value, the motor rotates in the tailwind state and can be started using estimated angle directly.

14.1.10.2 BEMF Detection

Estimator estimates α -axis BEMF FOC__EALP and β -axis BEMF FOC__EBET with the motor parameters, and calculates the magnitude of FOC__EMF, which implements protection features, such as motor lock protection, phase loss protection, etc.

14.1.10.3 Motor Power

FOC module calculates motor power based on the sampling current, modulation index of SVPWM and bus voltage.

14.1.11 FG Output Generation

FG signal is generated by FOC module and Timer4. FOC module calculates an FG result based on frequency base fbase, low-pass filtered speed FOC_EOMELPF and FG coefficient FOC_KFG in every PWM cycle. The result is updated to TIM4__ARR automatically and half of the result (TIM4__ARR/2) to TIM4__DR by hardware. It shall be noted that Timer4 must work in Output Mode and the clock division factor of Timer4 shall be configured according to the motor maximum speed.

FOC_KFG is computed using the following algorithm: $FOC_KFG = SYSCLK / (2^{\wedge}TIM4_CR0[T4PSC] * fbase * x)$, where, x refers to the expected number of FG signal in one electric cycle. If the result exceeds 65535, the clock division factor TIM4_CR0[T4PSC] shall be adjusted.

When FOC_KFG = 0, this feature is disabled, and TIM4__ARR and TIM4__DR keeps unchanged.

14.2 FOC Registers

14.2.1 FOC_CR0 (0x409F)

Bit	7	6	5	4	3	2	1	0
Name	OMIF	OMAF	MERRS		UCSEL	OMAS	ESCMS	EDIS
Type	R	R	R/W	R/W	R/W	R/W	R/W	R/W
Reset	0	0	0	0	0	0	0	0
Bit	Name		Description					
[7]	OMIF		omega < FOC_EFREQMIN flag. This bit is valid even if FOC_CR1 [EFAE] is 0. 0: omega ≥ FOC_EFREQMIN 1: omega < FOC_EFREQMIN					
[6]	OMAF		omega > FOC_EFREQMIN Flag 0: omega ≤ FOC_EFREQMIN 1: omega > FOC_EFREQMIN					
[5:4]	MERRS		The maximum error of SMO Algorithm Select bit 00: 0.5 01: 0.25 10: 0.125 11: 1.0					
[3]	UCSEL		Sampling Channel for Bus Voltage (UDC) In FOC mode, bus voltage is sampled automatically by hardware after Driver timer is enabled (DRV_CR[DRVEN]=1). The FOC_CR0[UCSEL] bit selects the channel for sampling. 0: AD2 1: AD14 ADC channel 14 is an internal channel dedicated for bus voltage sampling. The voltage division ratio is selected by configuring ADC_CR[ADCRATIO]. ADC channel 2 is the external bus voltage sampling channel. Note: It is not necessary to set the associated Enable Bit in ADC_MASK register to “1”.					
[2]	OMAS		Output election when omega is too large When FOC_EOME[15:8] > FOC_EFREQMAX, the output FOC_EOME is set as: 0: FOC_EFREQMAX*256 1: FOC_EFREQHOLD					
[1]	ESCMS		Angle Mode Select bit 0: Internal Test Mode 1: Recommended Mode					
[0]	EDIS		FOC_EALP/FOC_EBET Auto-computation Disabled 0: Not forbid 1: Forbid					

14.2.2 FOC_CR1 (0x40A0)

Bit	7	6	5	4	3	2	1	0
Name	OVMDL	EFAE	RFAE	ANGM	CSM		RSV	SVPWMEN
Type	R/W	R/W	R/W	R/W	R/W	R/W	R/W	R/W
Reset	0	0	0	0	0	0	0	0
Bit	Name		Description					
[7]	OVMDL		Overmodulation Enable 0: Disable					

		1: Enable
[6]	EFAE	Estimator Force Angle Enable When this feature is enabled, angle mode is determined by the estimator, and it switches to estimated angle mode automatically. 0: Disable 1: Enable
[5]	RFAE	Ramp Force Angle Enable When this feature is enabled, angle mode is determined by the ramping module. After ramping, it switches to estimated mode or forced pulling mode according to FOC_CR1[ANGM]. FOC_CR1[RFAE] is cleared to “0” by hardware as well. 0: Disable 1: Enable
[4]	ANGM	Angle Mode When FOC_CR1[RFAE] = 0, angle mode is determined by this bit. When FOC_CR1[RFAE] = 1, angle mode is determined by this bit after ramping. 0: Forced Pulling Angle 1: Estimated Angle of Estimator
[3:2]	CSM	Current Sampling Mode 00: Single-shunt Sampling 01: Double-shunt Sampling 11: Triple-shunt Sampling
[1]	RSV	Reserved
[0]	SVPWMEN	SVPWM Module Enable 0: Disable 1: Enable

14.2.3 FOC_CR2 (0x40A1)

Bit	7	6	5	4	3	2	1	0
Name	ESEL	ICLR	F5SEGn	DSS	CSOC		UQD	UDD
Type	R/W	R/W	R/W	R/W	R/W	R/W	R/W	R/W
Reset	0	0	0	0	0	0	0	0
Bit	Name	Description						
[7]	ESEL	Angle Estimator Mode Select bit 0: SMO 1: PLL (phase-locked loop). FOC_KSILDE register is FOC_PLLKP of PI controller, and FOC_KLPFMIN register is FOC_PLLKI of PI controller.						
[6]	ICLR	Clear FOC_IAMAX/FOC_IBMAX/FOC_ICMAX to “0” 0: No effect 1: The bit is automatically set to “0” after FOC_IAMAX/ FOC_IBMAX/ FOC_ICMAX is cleared to “0”.						
[5]	F5SEG	SVPWM Mode Select bit 0: Continuous SVPWM 1: Discontinuous SVPWM (cannot be selected in single-shunt current sampling mode)						
[4]	DSS	Dual/Triple-shunt Current Sampling Mode 0: Sequential Sampling Mode, where current values of two phases are sampled in each carrier period. 1: Alternate Sampling Mode. FOC module completes the calculation in every PWM cycle. The current of one phase is sampled in each PWM cycle, and the current of two phases are sampled alternately in two adjacent PWM cycles.						
[3:2]	CSOC	Current Sampling Offset Calibration This bit is written to select the offset of FOC_CSO. In single-shunt sampling, “00” or “11” is written to calibrate itrip offset. In dual-shunt sampling, “01” is written to calibrate ia offset and “10” to calibrate ib offset. In triple-shunt sampling, “01” is written to calibrate						

		ia offset, “10” to calibrate ib offset and “00” or “11” to calibrate ic offset. 00: itrip & ic 01: ia 10: ib 11: itrip & ic
[1]	UQD	q-axis PI controller disabled, where FOC__UQ value is no longer updated by the PI controller. 0: Not forbid 1: Forbid
[0]	UDD	d-axis PI controller disabled, where the FOC__UD value is no longer updated by the PI controller. 0: Not forbid 1: Forbid

14.2.4 FOC_TSMIN (0x40A2)

Bit	7	6	5	4	3	2	1	0
Name	FOC_TSMIN							
Type	R/W	R/W	R/W	R/W	R/W	R/W	R/W	R/W
Reset	0	0	0	0	0	0	0	0
Bit	Name		Description					
[7:0]	FOC_TSMIN		Single-shunt Sampling Mode: minimum window for sampling Dual/triple-shunt Sampling Mode: deadtime compensation Range [0, 255] TSMIN = sampling window T_{window} + deadtime T_{DT} Example: Assuming that $T_{window} = 1\mu s$, $T_{DT} = 1\mu s$, TSMIN = $2\mu s$ and carrier period = $62.5\mu s$, then FOC_TSMIN = $(1 + 1)/62.5 * 4096 = 131$.					

14.2.5 FOC_TGLI (0x40A3)

Bit	7	6	5	4	3	2	1	0
Name	FOC_TGLI							
Type	R/W	R/W	R/W	R/W	R/W	R/W	R/W	R/W
Reset	0	0	0	0	0	0	0	0
Bit	Name		Description					
[7:0]	FOC_TGLI		Narrow Pulse Elimination for High Side of the Bridge This feature is designed for high-voltage applications. The high side of bridge must be longer than a certain time. After this bit is configured, high side of the bridge is not turned on when the conducting time is less than this value. Range [0, 255] Example: Assuming that it is required to remove narrow pulses with less than $1\mu s$ width, deadtime $T_{DT} = 1\mu s$, and carrier period = $62.5\mu s$, then FOC_TGLI = $(1 + 1)/62.5 * 4096 = 131$.					

14.2.6 FOC_TBLO (0x40A4)

Bit	7	6	5	4	3	2	1	0
Name	FOC_TBLO							
Type	R/W	R/W	R/W	R/W	R/W	R/W	R/W	R/W
Reset	0	0	0	0	0	0	0	0
Bit	Name		Description					
[7:0]	FOC_TBLO		Sampling Masking Time in Triple-shunt Current Sampling Mode If low side of the bridge is turned on for less than FOC_TBLO, the current of this phase is not sampled and obtained through special process. Range [0, 255] Example: Assuming that the phase current is not sampled if the low side is turned on for less than $1\mu s$, then FOC_TBLO = $1000ns/41.67ns = 24$.					

14.2.7 FOC_TRGDLY (0x40A5)

Bit	7	6	5	4	3	2	1	0
Name	FOC_TRGDLY							
Type	R/W	R/W	R/W	R/W	R/W	R/W	R/W	R/W
Reset	0	0	0	0	0	0	0	0
Bit	Name		Description					
[7:0]	FOC_TRGDLY		Time Configuration for Current Sampling Single-shunt Sampling Mode: Midpoint between deadtime and applied time of active voltage vector Range [-128, 127] Dual/Triple-shunt Sampling Mode: Midpoint of vector 000 (Driver timer value = 0) Range [-128, 127] Single-shunt Sampling Mode: If FOC_TRGDLY = 5, it delays by $5 * T = 208\text{ns}$ to sample the current, and if FOC_TRGDLY = 0xFB (complement) or FOC_TRGDLY = -5, it advances by $5 * T = 208\text{ns}$. Dual-shunt/Triple-shunt Sampling Mode: If FOC_TRGDLY = 0x85 (the highest bit, and the remaining 7 bits are absolute values) and Driver timer counts down, it samples the current at $5 * T = 208\text{ns}$ before an overflow event occurs. If FOC_TRGDLY = 5 and Driver timer counts up, it samples the current at $5 * T = 208\text{ns}$ after an overflow event occurs.					

14.2.8 FOC_CSO (0x40A6, 0x40A7)

FOC_CSOH (0x40A6)								
Bit	7	6	5	4	3	2	1	0
Name	FOC_CSO[15:8]							
Type	R	R/W	R/W	R/W	R/W	R/W	R/W	R/W
Reset	0	1	0	0	0	0	0	0
FOC_CSOL (0x40A7)								
Bit	7	6	5	4	3	2	1	0
Name	FOC_CSO[7:0]							
Type	R/W	R/W	R/W	R/W	R/W	R/W	R/W	R/W
Reset	0	0	0	0	0	0	0	0
Bit	Name		Description					
[15:0]	FOC_CSO		Current Sampling Offset FOC_CR2[CSOC] is configured to select the current, and FOC_CSO is written to calibrate current sampling offset of trip in single-shunt mode, ia, ib in dual-shunt mode and ia, ib and ic in triple-shunt mode. Range [0,32767], the MSB is always 0 Example: Assuming that the ADC voltage falls within 0V ~ 5V with a reference value of 2.5V, then $FOC_CSO = 2.5V/5V * 32768 = 16384(0x4000)$					

14.2.9 FOC_RTHERSTEP (0x40A8, 0x40A9)

FOC_RTHERSTEPH (0x40A8)								
Bit	7	6	5	4	3	2	1	0
Name	FOC_RTHERSTEP[15:8]							
Type	R/W	R/W	R/W	R/W	R/W	R/W	R/W	R/W
Reset	0	0	0	0	0	0	0	0
FOC_RTHERSTEPL (0x40A9)								
Bit	7	6	5	4	3	2	1	0
Name	FOC_RTHERSTEP[7:0]							
Type	R/W	R/W	R/W	R/W	R/W	R/W	R/W	R/W
Reset	0	0	0	0	0	0	0	0

Bit	Name	Description
[15:0]	FOC_RTHESTEP	Speed of Ramping Module FOC_RTHESTEP is an internal 32-bit variable. MSB is sign bit. High-order 16 bits are written by software. Range [-32768,32767] FOC_RTHESTEP (32 bits) = FOC_RTHESTEP (32 bits) + FOC_RTHEACC (16 low-order bits) THETA_OL (16 bits) = THETA_OL (16 bits) + FOC_RTHESTEP (16 high-order bits)

14.2.10 FOC_RTHEACC (0x40AA, 0x40AB)

FOC_RTHEACC (0x40AA)								
Bit	7	6	5	4	3	2	1	0
Name	FOC_RTHEACC[15:8]							
Type	W	W	W	W	W	W	W	W
Reset	0	0	0	0	0	0	0	0
FOC_RTHEACC (0x40AB)								
Bit	7	6	5	4	3	2	1	0
Name	FOC_RTHEACC[7:0]							
Type	W	W	W	W	W	W	W	W
Reset	0	0	0	0	0	0	0	0
Bit	Name	Description						
[15:0]	FOC_RTHEACC	Ramping acceleration, FOC_RTHEACC is an internal 32-bit variable. MSB is sign bit. Low-order 16 bits are written by software, and high-order 16 bits are always 0. Range [-32768,32767] FOC_RTHESTEP (32 bits) = FOC_RTHESTEP (32 bits) + FOC_RTHEACC (16 low-order bits) THETA_OL (16 bits) = THETA_OL (16 bits) + FOC_RTHESTEP (16 high-order bits)						

14.2.11 FOC_EOMELPF (0x40AA, 0x40AB)

FOC_EOMELPFH (0x40AA)								
Bit	7	6	5	4	3	2	1	0
Name	FOC_EOMELPF[15:8]							
Type	R	R	R	R	R	R	R	R
Reset	0	0	0	0	0	0	0	0
FOC_EOMELPFL (0x40AB)								
Bit	7	6	5	4	3	2	1	0
Name	FOC_EOMELPF[7:0]							
Type	R	R	R	R	R	R	R	R
Reset	0	0	0	0	0	0	0	0
Bit	Name	Description						
[15:0]	FOC_EOMELPF	Filtered Estimated Speed of Estimator The filter coefficient is FOC_EOMEKLPF, and the LPF frequency is the PWM cycle. Range [-32768, 32767]						

14.2.12 FOC_RTHECNT (0x40AC)

Bit	7	6	5	4	3	2	1	0
Name	FOC_RTHECNT							
Type	R/W	R/W	R/W	R/W	R/W	R/W	R/W	R/W
Reset	0	0	0	0	0	0	0	0
Bit	Name	Description						

[7:0]	FOC_RTHECNT	Max. ramping counts = FOC_RTHECNT*256 When ramping feature is enabled (FOC_CR1[RFAE]=1), the ramping angle increases in each PWM cycle. After FOC_RTHECNT*256 times, ramping feature is disabled.
-------	-------------	--

14.2.13 FOC_THECOR (0x40AD)

Bit	7	6	5	4	3	2	1	0
Name	FOC_THECOR[7:0]							
Type	R/W	R/W	R/W	R/W	R/W	R/W	R/W	R
Reset	0	0	0	0	0	0	0	1
Bit	Name		Description					
[7:0]	FOC_THECOR		Angle Smooth Switching Correction: The step value of angle smooth switching after ramping. The format is the same as FOC_THETA. Range [0, 255]					

14.2.14 FOC__EMF (0x40AE, 0x40AF)

FOC__EMFH (0x40AE)								
Bit	7	6	5	4	3	2	1	0
Name	FOC__EMF[15:8]							
Type	R	R	R	R	R	R	R	R
Reset	0	0	0	0	0	0	0	0
FOC__EMFL (0x40AF)								
Bit	7	6	5	4	3	2	1	0
Name	FOC__EMF[7:0]							
Type	R	R	R	R	R	R	R	R
Reset	0	0	0	0	0	0	0	0
Bit	Name		Description					
[15:0]	FOC__EMF		Estimated BEMF of Estimator This value is the root of sum of square of FOC__EALP and square of FOC__EBET Range [0, 32767]					

14.2.15 FOC_THECOMP (0x40AE, 0x40AF)

FOC_THECOMP (0x40AE)								
Bit	7	6	5	4	3	2	1	0
Name	FOC_THECOMP[15:8]							
Type	W	W	W	W	W	W	W	W
Reset	0	0	0	0	0	0	0	0
FOC_THECOMPL (0x40AF)								
Bit	7	6	5	4	3	2	1	0
Name	FOC_THECOMP[7:0]							
Type	W	W	W	W	W	W	W	W
Reset	0	0	0	0	0	0	0	0
Bit	Name		Description					
[15:0]	FOC_THECOMP		Angle Compensation Value The output angle FOC__THETA is derived from the estimator estimated angle + compensation value; the format is same with that of FOC__THETA. Range [-32768, 32767]					

14.2.16 FOC_DMAX (0x40B0, 0x40B1)

FOC_DMAXH (0x40B0)								
Bit	7	6	5	4	3	2	1	0
Name	FOC_DMAX[15:8]							
Type	R/W	R/W	R/W	R/W	R/W	R/W	R/W	R/W
Reset	0	0	0	0	0	0	0	0
FOC_DMAXL (0x40B1)								
Bit	7	6	5	4	3	2	1	0
Name	FOC_DMAX[7:0]							
Type	R/W	R/W	R/W	R/W	R/W	R/W	R/W	R/W
Reset	0	0	0	0	0	0	0	0
Bit	Name		Description					
[15:0]	FOC_DMAX		Max. output of d-axis PI controller Range [-32768, 32767]					

14.2.17 FOC_DMIN (0x40B2, 0x40B3)

FOC_DMINH (0x40B2)								
Bit	7	6	5	4	3	2	1	0
Name	FOC_DMIN[15:8]							
Type	R/W	R/W	R/W	R/W	R/W	R/W	R/W	R/W
Reset	0	0	0	0	0	0	0	0
FOC_DMINL (0x40B3)								
Bit	7	6	5	4	3	2	1	0
Name	FOC_DMIN[7:0]							
Type	R/W	R/W	R/W	R/W	R/W	R/W	R/W	R/W
Reset	0	0	0	0	0	0	0	0
Bit	Name		Description					
[15:0]	FOC_DMIN		Min. output of d-axis PI controller Range [-32768, 32767]					

14.2.18 FOC_QMAX (0x40B4, 0x40B5)

FOC_QMAXH (0x40B4)								
Bit	7	6	5	4	3	2	1	0
Name	FOC_QMAX[15:8]							
Type	R/W	R/W	R/W	R/W	R/W	R/W	R/W	R/W
Reset	0	0	0	0	0	0	0	0
FOC_QMAXL (0x40B5)								
Bit	7	6	5	4	3	2	1	0
Name	FOC_QMAX[7:0]							
Type	R/W	R/W	R/W	R/W	R/W	R/W	R/W	R/W
Reset	0	0	0	0	0	0	0	0
Bit	Name		Description					
[15:0]	FOC_QMAX		Max. output of q-axis PI controller Range [-32768, 32767]					

14.2.19 FOC_QMIN (0x40B6, 0x40B7)

FOC_QMINH (0x40B6)								
Bit	7	6	5	4	3	2	1	0
Name	FOC_QMIN[15:8]							
Type	R/W	R/W	R/W	R/W	R/W	R/W	R/W	R/W
Reset	0	0	0	0	0	0	0	0
FOC_QMINL (0x40B7)								
Bit	7	6	5	4	3	2	1	0
Name	FOC_QMIN[7:0]							
Type	R/W	R/W	R/W	R/W	R/W	R/W	R/W	R/W

Reset	0	0	0	0	0	0	0	0
Bit	Name		Description					
[15:0]	FOC_QMIN		Min. output of q-axis PI controller Range [-32768, 32767]					

14.2.20 FOC__UD (0x40B8, 0x40B9)

FOC_UDH (0x40B8)								
Bit	7	6	5	4	3	2	1	0
Name	FOC_UD[15:8]							
Type	R/W	R/W	R/W	R/W	R/W	R/W	R/W	R/W
Reset	0	0	0	0	0	0	0	0
FOC_UDL (0x40B9)								
Bit	7	6	5	4	3	2	1	0
Name	FOC_UD[7:0]							
Type	R/W	R/W	R/W	R/W	R/W	R/W	R/W	R/W
Reset	0	0	0	0	0	0	0	0
Bit	Name	Description						
[15:0]	FOC__UD	d-axis voltage calculated by d-axis PI controller Range [-32768, 32767]						

14.2.21 FOC__UQ (0x40BA, 0x40BB)

FOC_UQH (0x40BA)								
Bit	7	6	5	4	3	2	1	0
Name	FOC_UQ[15:8]							
Type	R/W	R/W	R/W	R/W	R/W	R/W	R/W	R/W
Reset	0	0	0	0	0	0	0	0
FOC_UQL (0x40BB)								
Bit	7	6	5	4	3	2	1	0
Name	FOC_UQ[7:0]							
Type	R/W	R/W	R/W	R/W	R/W	R/W	R/W	R/W
Reset	0	0	0	0	0	0	0	0
Bit	Name	Description						
[15:0]	FOC__UQ	q-axis voltage calculated by q-axis PI controller Range [-32768, 32767]						

14.2.22 FOC__ID (0x40BC, 0x40BD)

FOC_IDH (0x40BC)								
Bit	7	6	5	4	3	2	1	0
Name	FOC_ID[15:8]							
Type	R	R	R	R	R	R	R	R
Reset	0	0	0	0	0	0	0	0
FOC_IDL (0x40BD)								
Bit	7	6	5	4	3	2	1	0
Name	FOC_ID[7:0]							
Type	R	R	R	R	R	R	R	R
Reset	0	0	0	0	0	0	0	0
Bit	Name	Description						
[15:0]	FOC__ID	d-axis current from coordinate transformation Range [-32768, 32767]						

14.2.23 FOC_IQ (0x40BE, 0x40BF)

FOC_IQH (0x40BE)								
Bit	7	6	5	4	3	2	1	0
Name	FOC_IQ[15:8]							
Type	R	R	R	R	R	R	R	R
Reset	0	0	0	0	0	0	0	0
FOC_IQL (0x40BF)								
Bit	7	6	5	4	3	2	1	0
Name	FOC_IQ[7:0]							
Type	R	R	R	R	R	R	R	R
Reset	0	0	0	0	0	0	0	0
Bit	Name		Description					
[15:0]	FOC_IQ		q-axis current from coordinate transformation Range [-32768, 32767]					

14.2.24 FOC_IBET (0x40C0, 0x40C1)

FOC_IBETH (0x40C0)								
Bit	7	6	5	4	3	2	1	0
Name	FOC_IBET [15:8]							
Type	R	R	R	R	R	R	R	R
Reset	0	0	0	0	0	0	0	0
FOC_IBETL (0x40C1)								
Bit	7	6	5	4	3	2	1	0
Name	FOC_IBET [7:0]							
Type	R	R	R	R	R	R	R	R
Reset	0	0	0	0	0	0	0	0
Bit	Name		Description					
[15:0]	FOC_IBET		β -axis current from coordinate transformation. Range [-32768, 32767]					

14.2.25 FOC_VBET (0x40C2, 0x40C3)

FOC_VBETH (0x40C2)								
Bit	7	6	5	4	3	2	1	0
Name	FOC_VBET[15:8]							
Type	R	R	R	R	R	R	R	R
Reset	0	0	0	0	0	0	0	0
FOC_VBETL (0x40C3)								
Bit	7	6	5	4	3	2	1	0
Name	FOC_VBET[7:0]							
Type	R	R	R	R	R	R	R	R
Reset	0	0	0	0	0	0	0	0
Bit	Name		Description					
[15:0]	FOC_VBET		β -axis Output Voltage of FOC Module (read only) Range [-32768, 32767]					

14.2.26 FOC_VALP (0x40C4, 0x40C5)

FOC_VALPH (0x40C4)								
Bit	7	6	5	4	3	2	1	0
Name	FOC_VALP[15:8]							
Type	R	R	R	R	R	R	R	R
Reset	0	0	0	0	0	0	0	0
FOC_VALPL (0x40C5)								
Bit	7	6	5	4	3	2	1	0
Name	FOC_VALP[7:0]							

Type	R	R	R	R	R	R	R	R
Reset	0	0	0	0	0	0	0	0
Bit	Name	Description						
[15:0]	FOC__VALP	α -axis Output Voltage of FOC Module (read only) Range [-32768,32767]						

14.2.27 FOC_UDCPS (0x40C2, 0x40C3)

FOC_UDCPSH (0x40C2)								
Bit	7	6	5	4	3	2	1	0
Name	FOC_UDCPS [15:8]							
Type	W	W	W	W	W	W	W	W
Reset	0	0	0	0	0	0	0	0
FOC_UDCPSL (0x40C3)								
Bit	7	6	5	4	3	2	1	0
Name	FOC_UDCPS [7:0]							
Type	W	W	W	W	W	W	W	W
Reset	0	0	0	0	0	0	0	0
Bit	Name	Description						
[15:0]	FOC_UDCPS	d-axis Voltage Compensation Value (write only) The result of d-axis PI controller (FOC__UD) added to FOC_UDCPS is transferred to the next module. Range [-32768, 32767]						

14.2.28 FOC_UQCPS (0x40C4, 0x40C5)

FOC_UQCPSH (0x40C4)								
Bit	7	6	5	4	3	2	1	0
Name	FOC_UQCPS [15:8]							
Type	W	W	W	W	W	W	W	W
Reset	0	0	0	0	0	0	0	0
FOC_UQCPSL (0x40C5)								
Bit	7	6	5	4	3	2	1	0
Name	FOC_UQCPS [7:0]							
Type	W	W	W	W	W	W	W	W
Reset	0	0	0	0	0	0	0	0
Bit	Name	Description						
[15:0]	FOC_UQCPS	q-axis Voltage Compensation Value (write only) The result of q-axis PI controller (FOC__UD) added to FOC_UQCPS is transferred to the next module. Range [-32768, 32767]						

14.2.29 FOC_IC (0x40C6, 0x40C7)

FOC_ICH (0x40C6)								
Bit	7	6	5	4	3	2	1	0
Name	FOC_IC[15:8]							
Type	R	R	R	R	R	R	R	R
Reset	0	0	0	0	0	0	0	0
FOC_ICL (0x40C7)								
Bit	7	6	5	4	3	2	1	0
Name	FOC_IC[7:0]							
Type	R	R	R	R	R	R	R	R
Reset	0	0	0	0	0	0	0	0
Bit	Name	Description						
[15:0]	FOC_IC	Sampled C Phase Current Range [-32768, 32767]						

14.2.30 FOC__IB (0x40C8, 0x40C9)

FOC__IBH (0x40C8)								
Bit	7	6	5	4	3	2	1	0
Name	FOC__IB[15:8]							
Type	R	R	R	R	R	R	R	R
Reset	0	0	0	0	0	0	0	0
FOC__IBL (0x40C9)								
Bit	7	6	5	4	3	2	1	0
Name	FOC__IB[7:0]							
Type	R	R	R	R	R	R	R	R
Reset	0	0	0	0	0	0	0	0
Bit	Name		Description					
[15:0]	FOC__IB		Sampled B Phase Current Range [-32768, 32767]					

14.2.31 FOC__IA (0x40CA, 0x40CB)

FOC__IAH (0x40CA)								
Bit	7	6	5	4	3	2	1	0
Name	FOC__IA[15:8]							
Type	R	R	R	R	R	R	R	R
Reset	0	0	0	0	0	0	0	0
FOC__IAL (0x40CB)								
Bit	7	6	5	4	3	2	1	0
Name	FOC__IA[7:0]							
Type	R	R	R	R	R	R	R	R
Reset	0	0	0	0	0	0	0	0
Bit	Name		Description					
[15:0]	FOC__IA		Sampled A Phase Current Range [-32768, 32767]					

14.2.32 FOC__THETA (0x40CC, 0x40CD)

FOC__THETAH (0x40CC)								
Bit	7	6	5	4	3	2	1	0
Name	FOC__THETA[15:8]							
Type	R/W	R/W	R/W	R/W	R/W	R/W	R/W	R/W
Reset	0	0	0	0	0	0	0	0
FOC__THETAL (0x40CD)								
Bit	7	6	5	4	3	2	1	0
Name	FOC__THETA[7:0]							
Type	R/W	R/W	R/W	R/W	R/W	R/W	R/W	R/W
Reset	0	0	0	0	0	0	0	0
Bit	Name		Description					
[15:0]	FOC__THETA		Output Angle of FOC Module Range [-32768, 32767] The bit value -32768 ~ 32767 corresponds to angle range -180°~ 180°. Example: Assuming that FOC__THETA = 8192, the output angle is $8192/32768 * 180° = 45°$.					

14.2.33 FOC__ETHETA (0x40CE, 0x40CF)

FOC__ETHETAH (0x40CE)								
Bit	7	6	5	4	3	2	1	0
Name	FOC__ETHETA[15:8]							
Type	R/W	R/W	R/W	R/W	R/W	R/W	R/W	R/W
Reset	0	0	0	0	0	0	0	0

FOC_ETHETA (0x40CF)								
Bit	7	6	5	4	3	2	1	0
Name	FOC_ETHETA[7:0]							
Type	R/W	R/W	R/W	R/W	R/W	R/W	R/W	R/W
Reset	0	0	0	0	0	0	0	0
Bit	Name	Description						
[15:0]	FOC_ETHETA	Read: Output Angle of Estimator (angle before FOC_THECOMP is applied); the format is same as that of FOC_THETA. Write: Start Angle of Estimator Range [-32768, 32767]						

14.2.34 FOC_EALP (0x40D0, 0x40D1)

FOC_EALPH (0x40D0)								
Bit	7	6	5	4	3	2	1	0
Name	FOC_EALP[15:8]							
Type	R	R	R	R	R	R	R	R
Reset	0	0	0	0	0	0	0	0
FOC_EALPL (0x40D1)								
Bit	7	6	5	4	3	2	1	0
Name	FOC_EALP[7:0]							
Type	R	R	R	R	R	R	R	R
Reset	0	0	0	0	0	0	0	0
Bit	Name	Description						
[15:0]	FOC_EALP	α -axis estimated BEMF Range [-32768, 32767]						

14.2.35 FOC_EBET (0x40D2, 0x40D3)

FOC_EBETH (0x40D2)								
Bit	7	6	5	4	3	2	1	0
Name	FOC_EBET[15:8]							
Type	R	R	R	R	R	R	R	R
Reset	0	0	0	0	0	0	0	0
FOC_EBETL (0x40D3)								
Bit	7	6	5	4	3	2	1	0
Name	FOC_EBET[7:0]							
Type	R	R	R	R	R	R	R	R
Reset	0	0	0	0	0	0	0	0
Bit	Name	Description						
[15:0]	FOC_EBET	β -axis estimated BEMF Range [-32768, 32767]						

14.2.36 FOC_EOME (0x40D4, 0x40D5)

FOC_EOMEH (0x40D4)								
Bit	7	6	5	4	3	2	1	0
Name	FOC_EOME[15:8]							
Type	R/W	R/W	R/W	R/W	R/W	R/W	R/W	R/W
Reset	0	0	0	0	0	0	0	0
FOC_EOMEL (0x40D5)								
Bit	7	6	5	4	3	2	1	0
Name	FOC_EOME[7:0]							
Type	R/W	R/W	R/W	R/W	R/W	R/W	R/W	R/W
Reset	0	0	0	0	0	0	0	0
Bit	Name	Description						

[15:0]	FOC__EOME	Output Speed of Estimator Range [-32768, 32767]
--------	-----------	--

14.2.37 FOC__UQEX (0x40D6, 0x40D7)

FOC__UQEXH (0x40D6)								
Bit	7	6	5	4	3	2	1	0
Name	FOC__UQEX [15:8]							
Type	R	R	R	R	R	R	R	R
Reset	0	0	0	0	0	0	0	0
FOC__UQEXL (0x40D7)								
Bit	7	6	5	4	3	2	1	0
Name	FOC__UQEX [7:0]							
Type	R	R	R	R	R	R	R	R
Reset	0	0	0	0	0	0	0	0
Bit	Name	Description						
[15:0]	FOC__UQEX	Overflow Value of q-axis PI Controller Equation: $FOC_UQ - FOC_QMAX$ FOC__UQEX is positive when $FOC_UQ > FOC_QMAX$ FOC__UQEX is negative when $FOC_UQ < FOC_QMAX$ FOC__UQEX can be used to realize weak magnetic flux control. Range [-32768, 32767]						

14.2.38 FOC__KFG (0x40D6, 0x40D7)

FOC__KFGH (0x40D6)								
Bit	7	6	5	4	3	2	1	0
Name	FOC__KFG [15:8]							
Type	W	W	W	W	W	W	W	W
Reset	0	0	0	0	0	0	0	0
FOC__KFUL (0x40D7)								
Bit	7	6	5	4	3	2	1	0
Name	FOC__KFG [7:0]							
Type	W	W	W	W	W	W	W	W
Reset	0	0	0	0	0	0	0	0
Bit	Name	Description						
[15:0]	FOC__KFG	Coefficient of FG Calculation FOC module performs the calculation based on FOC__EOMELPF and FOC__KFG in each PWM cycle. The result is updated to TIM4__ARR and half of the result (TIM4__ARR/2) to TIM4__DR by hardware. Refer to FG Output Generation for details. Range [0, 65535] Note: The clock division factor TIM4_CR0[T4PSC] of Timer4 shall be adjusted if FOC__KFG overflows. When FOC__KFG = 0, this feature is disabled.						

14.2.39 FOC__POW (0x40D8, 0x40D9)

FOC__POWH (0x40D8)								
Bit	7	6	5	4	3	2	1	0
Name	FOC__POW [15:8]							
Type	R	R	R	R	R	R	R	R
Reset	0	0	0	0	0	0	0	0
FOC__POWL (0x40D9)								
Bit	7	6	5	4	3	2	1	0
Name	FOC__POW [7:0]							
Type	R	R	R	R	R	R	R	R

Reset	0	0	0	0	0	0	0	0
Bit	Name		Description					
[15:0]	FOC__POW		Motor Power Range [-32768., 32767]					

14.2.40 FOC_EOMEKLPF (0x40D8)

Bit	7	6	5	4	3	2	1	0
Name	FOC_EOMEKLPF							
Type	W	W	W	W	W	W	W	W
Reset	0	0	0	0	0	0	0	0
Bit	Name		Description					
[7:0]	FOC_EOMEKLPF		LPF coefficient of estimated speed FOC_EOMELPF of the estimator LPF is calculated in every PWM cycle. Range [1,255] mapping [1/32768,255/32768].					

14.2.41 FOC_IAMAX (0x40DA, 0x40DB)

FOC_IAMAXH (0x40DA)								
Bit	7	6	5	4	3	2	1	0
Name	FOC_IAMAX [15:8]							
Type	R	R	R	R	R	R	R	R
Reset	0	0	0	0	0	0	0	0
FOC_IAMAXL (0x40DB)								
Bit	7	6	5	4	3	2	1	0
Name	FOC_IAMAX [7:0]							
Type	R	R	R	R	R	R	R	R
Reset	0	0	0	0	0	0	0	0
Bit	Name		Description					
[15:0]	FOC_IAMAX		Max. A Phase Current Recorded maximum value of A-phase current; This value may be unreliable unless the motor rotates in a full electrical period. This maximum value will not be cleared to “0” automatically unless FOC_CR2[ICLR] is set to “1”. Range [-32768, 32767]					

14.2.42 FOC_IBMAX (0x40DC, 0x40DD)

FOC_IBMAXH (0x40DC)								
Bit	7	6	5	4	3	2	1	0
Name	FOC_IBMAX [15:8]							
Type	R	R	R	R	R	R	R	R
Reset	0	0	0	0	0	0	0	0
FOC_IBMAXL (0x40DD)								
Bit	7	6	5	4	3	2	1	0
Name	FOC_IBMAX [7:0]							
Type	R	R	R	R	R	R	R	R
Reset	0	0	0	0	0	0	0	0
Bit	Name		Description					
[15:0]	FOC_IBMAX		Max. B Phase Current Recorded maximum value of B-phase current. This value may be unreliable unless the motor rotates in a full electrical period. This value will not be cleared to “0” automatically unless FOC_CR2[ICLR] is set to “1”. Range [-32768, 32767]					

14.2.43 FOC_ICMAX (0x40DE, 0x40DF)

FOC_ICMAXH (0x40DE)								
Bit	7	6	5	4	3	2	1	0
Name	FOC_ICMAX [15:8]							
Type	R	R	R	R	R	R	R	R
Reset	0	0	0	0	0	0	0	0
FOC_ICMAXL (0x40DF)								
Bit	7	6	5	4	3	2	1	0
Name	FOC_ICMAX [7:0]							
Type	R	R	R	R	R	R	R	R
Reset	0	0	0	0	0	0	0	0
Bit	Name	Description						
[15:0]	FOC_ICMAX	Max. C Phase Current Recorded maximum value of C-phase current. This value may be unreliable unless the motor rotates in a full electrical period. This value will not be cleared to "0" automatically unless FOC_CR2[ICLR] is set to "1". Range [-32768, 32767]						

14.2.44 FOC_EFREQMAX (0x406F)

Bit	7	6	5	4	3	2	1	0
Name	FOC_EFREQMAX[7:0]							
Type	R/W	R/W	R/W	R/W	R/W	R/W	R/W	R/W
Reset	0	1	1	1	1	1	1	1
Bit	Name	Description						
[7:0]	FOC_EFREQMAX	Max. omega When $\omega[15:8] > \text{FOC_EFREQMAX}$, the output speed OME is: FOC_CR0[OMAS] = 0: $\text{FOC_EFREQMAX} * 256$ FOC_CR0[OMAS] = 1: FOC_EFREQHOLD Range [0, 127] 0 ~ 127 mapping the speed range 0~ 32767. Note: This bit is invalid when MSB = 1.						

14.2.45 FOC_EKP (0x4074, 0x4075)

FOC_EKPH (0x4074)								
Bit	7	6	5	4	3	2	1	0
Name	FOC_EKP[15:8]							
Type	R	R/W	R/W	R/W	R/W	R/W	R/W	R/W
Reset	0	0	0	0	0	0	0	0
FOC_EKPL (0x4075)								
Bit	7	6	5	4	3	2	1	0
Name	FOC_EKP[7:0]							
Type	R/W	R/W	R/W	R/W	R/W	R/W	R/W	R/W
Reset	0	0	0	0	0	0	0	0
Bit	Name	Description						
[15:0]	FOC_EKP	KP of PI controller used for estimated angle of the estimator. MSB is always 0. Q12 format. Range [0, 32767]						

14.2.46 FOC_EKI (0x4076, 0x4077)

FOC_EKIH (0x4076)								
Bit	7	6	5	4	3	2	1	0
Name	FOC_EKI[15:8]							

Type	R	R/W	R/W	R/W	R/W	R/W	R/W	R/W
Reset	0	0	0	0	0	0	0	0
FOC EKIL (0x4077)								
Bit	7	6	5	4	3	2	1	0
Name	FOC EKI[7:0]							
Type	R/W	R/W	R/W	R/W	R/W	R/W	R/W	R/W
Reset	0	0	0	0	0	0	0	0
Bit	Name	Description						
[15:0]	FOC_EKI	KI of PI controller used for estimated angle of the estimator; MSB is always 0; Q15 format. Range [0.32767]						

14.2.47 FOC_EBMFK (0x407C, 0x407D)

FOC EBMFKH (0x407C)								
Bit	7	6	5	4	3	2	1	0
Name	FOC EBMFK[15:8]							
Type	R/W	R/W	R/W	R/W	R/W	R/W	R/W	R/W
Reset	0	0	0	0	0	0	0	0
FOC EBMFKL (0x407D)								
Bit	7	6	5	4	3	2	1	0
Name	FOC EBMFK[7:0]							
Type	R/W	R/W	R/W	R/W	R/W	R/W	R/W	R/W
Reset	0	0	0	0	0	0	0	0
Bit	Name	Description						
[15:0]	FOC_EBMFK	LPF coefficient (EKLPF) of BEMF low pass filter. Q15 format Range: [0,32767] EKLPF = FOC_EBMFK*FOC_EOME FOC_EBMFK = $2*\pi*f_{base}*T_s$						

14.2.48 FOC_KSLIDE (0x4078, 0x4079)

FOC KSLIDEH (0x4078)								
Bit	7	6	5	4	3	2	1	0
Name	FOC KSLIDE/ FOC PLLKP[15:8]							
Type	R	R/W	R/W	R/W	R/W	R/W	R/W	R/W
Reset	0	0	0	0	0	0	0	0
FOC KSLIDEL (0x4079)								
Bit	7	6	5	4	3	2	1	0
Name	FOC KSLIDE/ FOC PLLKP [7:0]							
Type	R/W	R/W	R/W	R/W	R/W	R/W	R/W	R/W
Reset	0	0	0	0	0	0	0	0
Bit	Name	Description						
[15:0]	FOC_KSLIDE /FOC_PLLKP	FOC_CR2[ESEL] = 0: SMO gain factor; Q15 format FOC_CR2[ESEL] = 1: KP of PI controller on PLL; Q12 format Range [0,32767]. MSB is always 0.						

14.2.49 FOC_EKLPFMIN (0x407A, 0x407B)

FOC EKLPFMINH (0x407A)								
Bit	7	6	5	4	3	2	1	0
Name	FOC EKLPFMIN/ FOC PLLKPI[15:8]							
Type	R	R/W	R/W	R/W	R/W	R/W	R/W	R/W
Reset	0	0	0	0	0	0	0	0
FOC EKLPFMINL (0x407B)								
Bit	7	6	5	4	3	2	1	0
Name	FOC EKLPFMIN/ FOC PLLKPI[7:0]							
Type	R/W	R/W	R/W	R/W	R/W	R/W	R/W	R/W

Reset	0	0	0	0	0	0	0	0
Bit	Name		Description					
[15:0]	FOC_EKLPMIN / FOC_PLLKI		FOC_CR2[ESEL] = 0: The minimum value of BEMF low pass filter factor. EKLPMIN is forced to be this value when it is lower than this value. Q15 format. FOC_CR2[ESEL] = 1: PI controller KI coefficient on PLL. Q15 format. Range [0,32767], MSB is always 0.					

14.2.50 FOC_OMEKLPF (0x407E, 0x407F)

FOC_OMEKLPFH (0x407E)								
Bit	7	6	5	4	3	2	1	0
Name	FOC_OMEKLPF[15:8]							
Type	R	R/W	R/W	R/W	R/W	R/W	R/W	R/W
Reset	0	0	0	0	0	0	0	0
FOC_OMEKLPFL (0x407F)								
Bit	7	6	5	4	3	2	1	0
Name	FOC_OMEKLPF[7:0]							
Type	R/W	R/W	R/W	R/W	R/W	R/W	R/W	R/W
Reset	0	0	0	0	0	0	0	0
Bit	Name		Description					
[15:0]	FOC_OMEKLPF		LPF Factor of estimated speed of the estimator. MSB is always 0. Q15 format. Range [0, 32767]					

14.2.51 FOC_FBASE (0x4080, 0x4081)

FOC_FBASEH (0x4080)								
Bit	7	6	5	4	3	2	1	0
Name	FOC_FBASE[15:8]							
Type	R/W	R/W	R/W	R/W	R/W	R/W	R/W	R/W
Reset	0	0	0	0	0	0	0	0
FOC_FBASEL (0x4081)								
Bit	7	6	5	4	3	2	1	0
Name	FOC_FBASE[7:0]							
Type	R/W	R/W	R/W	R/W	R/W	R/W	R/W	R/W
Reset	0	0	0	0	0	0	0	0
Bit	Name		Description					
[15:0]	FOC_FBASE		Frequency Base of Estimator Range [0, 32767] $FOC_FBASE = fbase * Ts * 32768$ Example: Assuming that $fbase = 200Hz$, $Ts = 62.5\mu s$, then $FOC_FBASE = 200 * 0.0000625 * 32768 = 409(0x199)$					

14.2.52 FOC_EFREQACC (0x4082, 0x4083)

FOC_EFREQACCH (0x4082)								
Bit	7	6	5	4	3	2	1	0
Name	FOC_EFREQACC[15:8]							
Type	R/W	R/W	R/W	R/W	R/W	R/W	R/W	R/W
Reset	0	0	0	0	0	0	0	0
FOC_EFREQACCL (0x4083)								
Bit	7	6	5	4	3	2	1	0
Name	FOC_EFREQACC[7:0]							
Type	R/W	R/W	R/W	R/W	R/W	R/W	R/W	R/W
Reset	0	0	0	0	0	0	0	0
Bit	Name		Description					
[15:0]	FOC_EFREQACC		Speed increment of the forced angle mode. FOC_EFREQACC is an internal 24-bit variable and MSB is sign bit. Low-order 16 bits are					

		written by software. Range [0, 65535] Example: Assuming that fbase = 200Hz and pp (Pole_Pairs) = 4, then speed_base = 60*fbase/pp = 3000rpm. If speed increment = 3rpm, then FOC_EFREQACC = 3rpm/speed_base*32768*256 = 8388(0x20C4).
--	--	---

14.2.53 FOC_EFREQMIN (0x4084, 0x4085)

FOC_EFREQMINH (0x4084)								
Bit	7	6	5	4	3	2	1	0
Name	FOC_EFREQMIN[15:8]							
Type	R/W	R/W	R/W	R/W	R/W	R/W	R/W	R/W
Reset	0	0	0	0	0	0	0	0
FOC_EFREQMINL (0x4085)								
Bit	7	6	5	4	3	2	1	0
Name	FOC_EFREQMIN[7:0]							
Type	R/W	R/W	R/W	R/W	R/W	R/W	R/W	R/W
Reset	0	0	0	0	0	0	0	0
Bit	Name	Description						
[15:0]	FOC_EFREQMIN	Switch Threshold of the Estimated Angle FOC_EFREQMIN is an internal 24-bit variable, and MSB is sign bit. High-order 16 bits are written by software. With Forced Angle of Estimator Mode enabled, FOC module outputs forced angle when the estimated angle is smaller than the bit value. Range [-32768,32767] Example: Assuming that fbase = 200Hz and pp (Pole_Pairs) = 4, then speed_base = 60*fbase/pp = 3000rpm. Assuming that the min. switching speed = 30rpm, then FOC_EFREQMIN = 30rpm/speed_base*32768 = 327(0x147).						

14.2.54 FOC_EFREQHOLD (0x4086, 0x4087)

FOC_EFREQHOLDH (0x4086)								
Bit	7	6	5	4	3	2	1	0
Name	FOC_EFREQHOLD[15:8]							
Type	R/W	R/W	R/W	R/W	R/W	R/W	R/W	R/W
Reset	0	0	0	0	0	0	0	0
FOC_EFREQHOLDL (0x4087)								
Bit	7	6	5	4	3	2	1	0
Name	FOC_EFREQHOLD[7:0]							
Type	R/W	R/W	R/W	R/W	R/W	R/W	R/W	R/W
Reset	0	0	0	0	0	0	0	0
Bit	Name	Description						
[15:0]	FOC_EFREQHOLD	Maximum Value of Forced Speed of the Estimator FOC_EFREQHOLD is an internal 24-bit variable, and MSB is sign bit. High-order 16 bits are written by the software. Range [-32768, 32767] Example: Assuming that fbase = 200Hz and pp (Pole_Pairs) = 4, then speed_base = 60*fbase/pp = 3000rpm. If max. forced speed = 60rpm, then OC_EFREQHOLD = 60rpm/speed_base*32768 = 655(0x028F).						

14.2.55 FOC_EK3 (0x4088, 0x4089)

FOC_EK3H (0x4088)								
Bit	7	6	5	4	3	2	1	0
Name	FOC_EK3[15:8]							
Type	R	R/W	R/W	R/W	R/W	R/W	R/W	R/W
Reset	0	0	0	0	0	0	0	0
FOC_EK3L (0x4089)								

Bit	7	6	5	4	3	2	1	0
Name	FOC_EK3[7:0]							
Type	R/W	R/W	R/W	R/W	R/W	R/W	R/W	R/W
Reset	0	0	0	0	0	0	0	0
Bit	Name		Description					
[15:0]	FOC_EK3		The 3 rd coefficient of the current model in estimator, and MSB is always 0. Q15 format. Range [0, 32767]					

14.2.56 FOC_EK4 (0x408A, 0x408B)

FOC_EK4H (0x408A)								
Bit	7	6	5	4	3	2	1	0
Name	FOC_EK4[15:8]							
Type	R/W	R/W	R/W	R/W	R/W	R/W	R/W	R/W
Reset	0	0	0	0	0	0	0	0
FOC_EK4L (0x408B)								
Bit	7	6	5	4	3	2	1	0
Name	FOC_EK4[7:0]							
Type	R/W	R/W	R/W	R/W	R/W	R/W	R/W	R/W
Reset	0	0	0	0	0	0	0	0
Bit	Name		Description					
[15:0]	FOC_EK4		The 4 th coefficient of the current model in estimator. Q15 format. Range [-32768, 32767]					

14.2.57 FOC_EK1 (0x408C, 0x408D)

FOC_EK1H (0x408C)								
Bit	7	6	5	4	3	2	1	0
Name	FOC_EK1[15:8]							
Type	R	R/W	R/W	R/W	R/W	R/W	R/W	R/W
Reset	0	0	0	0	0	0	0	0
FOC_EK1L (0x408D)								
Bit	7	6	5	4	3	2	1	0
Name	FOC_EK1[7:0]							
Type	R/W	R/W	R/W	R/W	R/W	R/W	R/W	R/W
Reset	0	0	0	0	0	0	0	0
Bit	Name		Description					
[15:0]	FOC_EK1		The 1 st coefficient of the current model in estimator, and MSB is always 0. Q15 format. Range [0, 32767]					

14.2.58 FOC_EK2 (0x408E, 0x408F)

FOC_EK2H (0x408E)								
Bit	7	6	5	4	3	2	1	0
Name	FOC_EK2[15:8]							
Type	R	R/W	R/W	R/W	R/W	R/W	R/W	R/W
Reset	0	0	0	0	0	0	0	0
FOC_EK2L (0x408F)								
Bit	7	6	5	4	3	2	1	0
Name	FOC_EK2[7:0]							
Type	R/W	R/W	R/W	R/W	R/W	R/W	R/W	R/W
Reset	0	0	0	0	0	0	0	0
Bit	Name		Description					
[15:0]	FOC_EK2		The 2 nd coefficient of the current model in estimator, and MSB is always 0, Q15 format. Range [0, 32767]					

14.2.59 FOC_IDREF (0x4090, 0x4091)

FOC_IDREFH (0x4090)								
Bit	7	6	5	4	3	2	1	0
Name	FOC_IDREF[15:8]							
Type	R/W	R/W	R/W	R/W	R/W	R/W	R/W	R/W
Reset	0	0	0	0	0	0	0	0
FOC_IDREFL (0x4091)								
Bit	7	6	5	4	3	2	1	0
Name	FOC_IDREF[7:0]							
Type	R/W	R/W	R/W	R/W	R/W	R/W	R/W	R/W
Reset	0	0	0	0	0	0	0	0
Bit	Name	Description						
[15:0]	FOC_IDREF	User-defined d-axis Current Range [-32768, 32767]						

14.2.60 FOC_IQREF (0x4092, 0x4093)

FOC_IQREFH (0x4092)								
Bit	7	6	5	4	3	2	1	0
Name	FOC_IQREF[15:8]							
Type	R/W	R/W	R/W	R/W	R/W	R/W	R/W	R/W
Reset	0	0	0	0	0	0	0	0
FOC_IQREFL (0x4093)								
Bit	7	6	5	4	3	2	1	0
Name	FOC_IQREF[7:0]							
Type	R/W	R/W	R/W	R/W	R/W	R/W	R/W	R/W
Reset	0	0	0	0	0	0	0	0
Bit	Name	Description						
[15:0]	FOC_IQREF	User-defined q-axis Current Range [-32768, 32767]						

14.2.61 FOC_DQKP (0x4094, 0x4095)

FOC_DQKPH (0x4094)								
Bit	7	6	5	4	3	2	1	0
Name	FOC_DQKP[15:8]							
Type	R	R/W	R/W	R/W	R/W	R/W	R/W	R/W
Reset	0	0	0	0	0	0	0	0
FOC_DQKPL (0x4095)								
Bit	7	6	5	4	3	2	1	0
Name	FOC_DQKP[7:0]							
Type	R/W	R/W	R/W	R/W	R/W	R/W	R/W	R/W
Reset	0	0	0	0	0	0	0	0
Bit	Name	Description						
[15:0]	FOC_DQKP	KP coefficient of dq-axis PI controller, MSB is always 0, Q12 format Range: [0,32767]						

14.2.62 FOC_DQKI (0x4096, 0x4097)

FOC_DQKIH (0x4096)								
Bit	7	6	5	4	3	2	1	0
Name	FOC_DQKI[15:8]							
Type	R	R/W	R/W	R/W	R/W	R/W	R/W	R/W
Reset	0	0	0	0	0	0	0	0
FOC_DQKIL (0x4097)								
Bit	7	6	5	4	3	2	1	0
Name	FOC_DQKI[7:0]							

Type	R/W	R/W	R/W	R/W	R/W	R/W	R/W	R/W
Reset	0	0	0	0	0	0	0	0

Bit	Name	Description
[15:0]	FOC_DQKI	KI coefficient of dq-axis PI controller; MSB is always 0; Q15 format. Range: [0,32767]

14.2.63 FOC__UDCFLT (0x4098, 0x4099)

FOC__UDCFLTH (0x4098)								
Bit	7	6	5	4	3	2	1	0
Name	FOC__UDCFLT[15:8]							
Type	R	R	R	R	R	R	R	R
Reset	0	0	0	0	0	0	0	0
FOC__UDCFLTL (0x4099)								
Bit	7	6	5	4	3	2	1	0
Name	FOC__UDCFLT[7:0]							
Type	R	R	R	R	R	R	R	R
Reset	0	0	0	0	0	0	0	0
Bit	Name	Description						
[15:0]	FOC__UDCFLT	<p>Filtered Bus Voltage</p> <p>FOC module samples the bus voltage and filters it to obtain FOC__UDCFLT. ADC channel 2 (external voltage divider) or channel 14 (internal voltage divider) can be selected.</p> <p>Range: [0,32767]</p> <p>Providing the sampled bus voltage is divided by 6 and ADC voltage range is 0V ~ 5V, the sampling range of bus voltage is 0V ~ 30V. Providing FOC__UDCFLT is 19661(0x4CCD), the bus voltage is $19661/32768*5V*6 = 18V$.</p>						

15 Timer1

15.1 Timer1 Operations

Timer1 consists of a 16-bit up-counting Base Timer and a 16-bit up-counting Reload Timer. Timer1 can be used in the applications of square-wave controlled BLDC motor drive. Timer1 features as follows.

- The 16-bit up-counting Base Timer is used to record the time between twice position detected events or twice phases commutations (60 degree time) and also can be used for forced phase commutation control when phase detection fails.
- The 16-bit up-counting Reload Timer is used to control the time from position detected to phase commutation, as well as masking time for diode freewheeling after phase commutation (prohibit position detection time).
- The 3-bit programmable frequency prescaler divides the system clock. The divided clock is used as the clock source of the two counters.
- Configurable filtering signals and sampling delay for position detection
- Management on generation and output sequence of square-wave drive output signals and position detection signals
- Generation of interrupt events:
 - Overflow interrupt of base timer
 - Overflow interrupt of reload timer
 - Writing sequence interrupt
 - Position detection interrupt
 - Diode freewheeling end interrupt

The internal structure of Timer1 is shown as below.

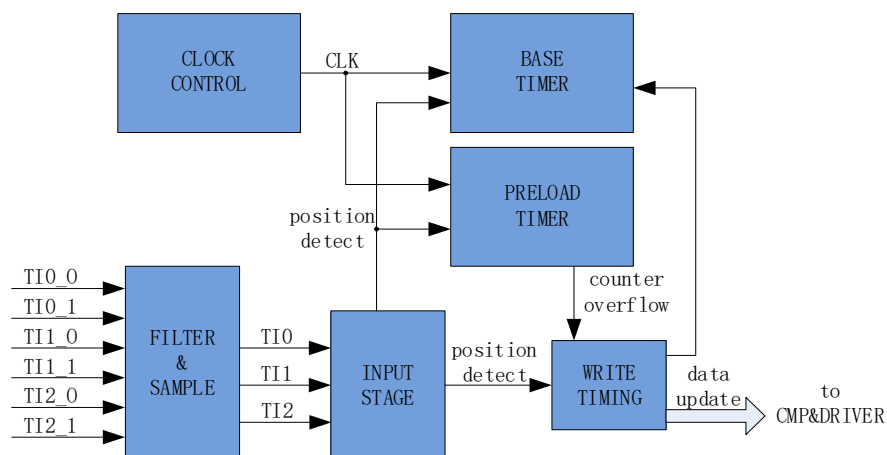


Figure 15-1 Internal Structure of Timer1

15.1.1 Timer Counter Module

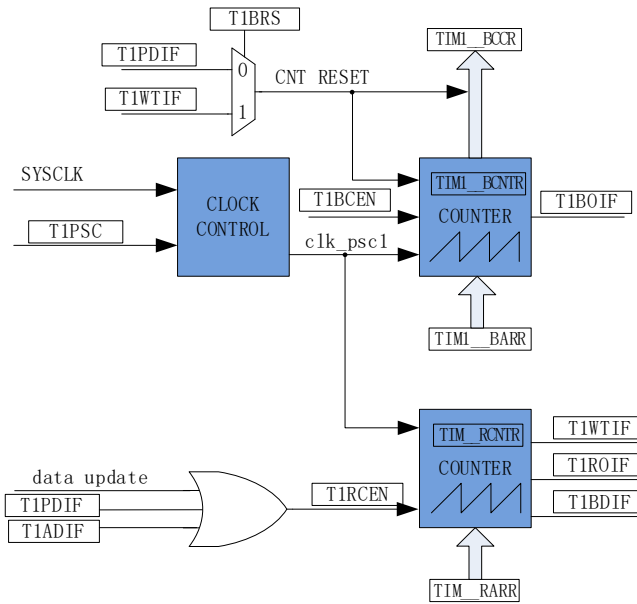


Figure 15-2 Timebase Unit

Timer1 consists of a frequency prescaler, an 16-bit up-counting Base Timer and an 16-bit up-counting Reload Timer.

15.1.1.1 Prescaler

Prescaler divides the system clock frequency and generates the counter clock source for Base Timer and Reload Timer. It offers 8 division coefficients and can be selected through TIM1_CR3[T1PSC]. Since this register has no buffer, the clock rate is immediately updated after the division coefficient is written. Therefore, the division coefficient shall be configured when both the Basic Timer and Reload Timer are not working.

$$\text{The clock rate: } f_{CK_CNT} = f_{CK_PSC} / PSC \quad (f_{CK_PSC} \text{ refers to system clock frequency})$$

If the system clock runs at 24MHz(41.67ns):

Table 15-1 Mapping between Clock Rate and TIM1_CR3[T1PSC] Bit

TIM1_CR3[T1PSC]	Coefficient (Hex.)	clk_psc1(Hz)	TIM1_CR3[T1PSC]	Coefficient (Hex.)	clk_psc1(Hz)
000	0x1	24M	100	0x10	1.5M
001	0x2	12M	101	0x20	750K
010	0x4	6M	110	0x40	37 K
011	0x8	3M	111	0x80	187.5K

15.1.1.2 Base Timer

The Base Timer is a 16-bit up counter with its count value held in the TIM1_BCNTR register. TIM1_BCNTR value is loaded into Capture Register TIM1_BCCR upon a Position Detected Interrupt TIM1_SR[T1PDIF] or a Write Timing Interrupt TIM1_SR[T1WTIF] (selected by TIM1_CR2[T1BRS] bit). Meanwhile, TIM1_BCNTR bit is cleared to “0” and restarts the counter cycle. TIM1_BCCR captures the

time between two Position Detected Interrupts or two Write Timing Interrupts (i.e. 60° commutation time). These time inputs are averaged multiple times (programmed by the TIM1_CR0[T1CFLT] bit) before loading the average as a 60° commutation base into the TIM1_BCOR register. When Auto-load Register TIM1__BARR is enabled (TIM1_CR1[BAPE] is set to “1”), TIM1__BARR loads the value of TIM1_BCOR by hardware. When count value of TIM1__BCNTR increases to TIM1__BARR, overflow interrupt flag TIM1_SR[T1BOIF] of the Basic Timer is set to “1”. If forced commutation feature is enabled, phase communication occurs and the Basic Timer Register is cleared to “0”. Otherwise, the Basic Timer Register will not be cleared until it counts up to 0xFFFF and becomes overflowed.

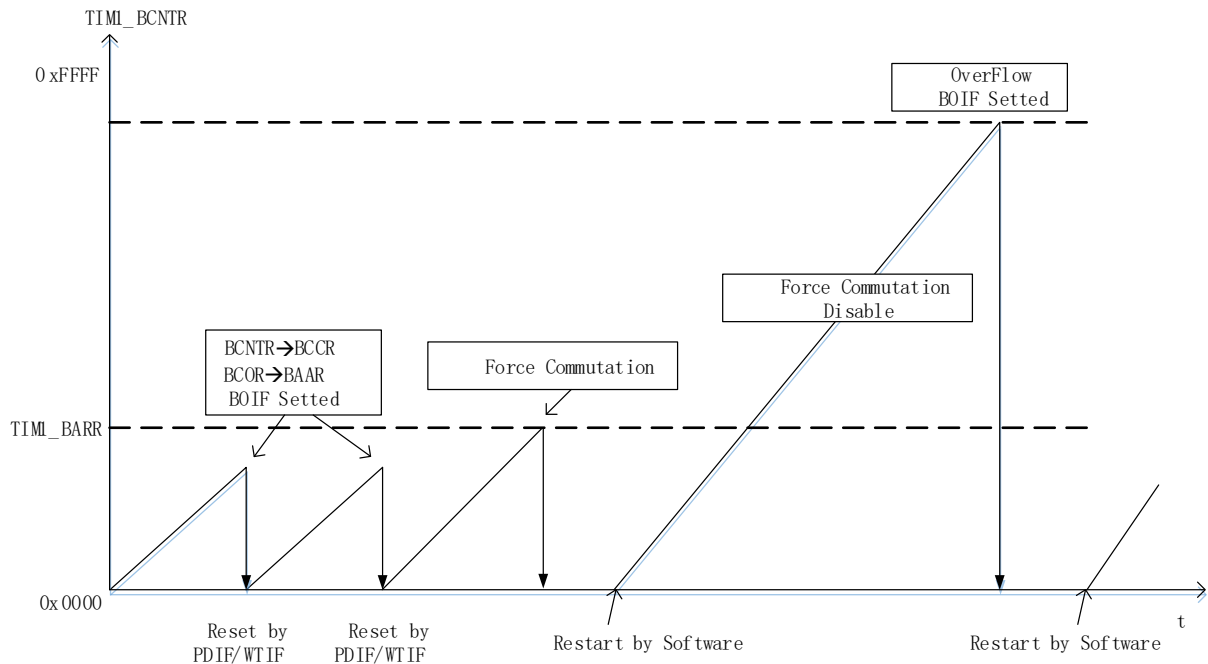


Figure 15-3 Waveform of Base Timer

In Manual mode (TIM1_IER[T1MAME] = 1), TIM1__BCNTR is cleared by Base Timer Overflow event instead of TIM1_CR2[T1BRS].

15.1.1.3 Reload Timer

The Reload Timer is a 16-bit up counter with its count value held in TIM1__RCNTR. The timer overflows when TIM1__RCNTR increases to TIM1__RARR. It stops counting when TIM1_SR[T1ROIF] (overflow interrupt flag of the reload counter) is set to “1”, and TIM1__RCNTR and TIM1_CR0[T1RCEN] are cleared to “0”. TIM1_CR0[T1RCEN] is set to “1” to restart Reload Timer when position detection interrupt or write timing interrupt is generated.

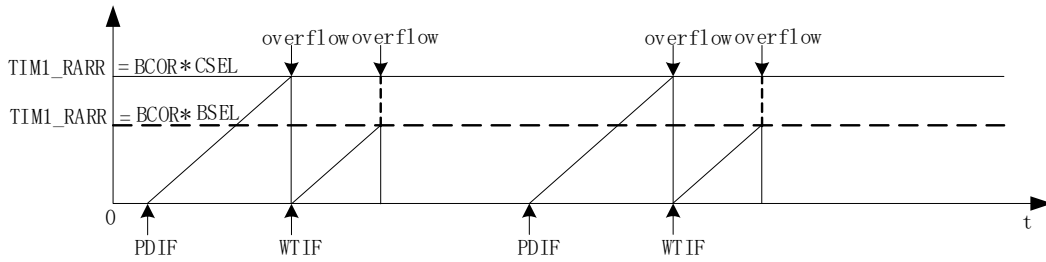


Figure 15-4 Waveform of Reload Timer

15.1.2 Position Detection

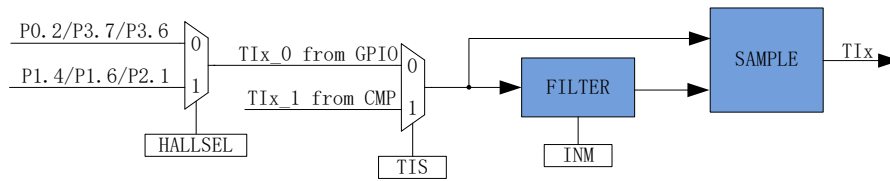


Figure 15-5 Functional Block Diagram of Position Detection

The TIM1_CR3[T1TIS] bit selects the sources of Position Detection signal, including CMP0/1/2, (CMP Position Detection) or GPIO (HALL Sensor Position Detection). HALL_CR[HALLSEL] bit is used to configure GPIO sourced by P1.4/P1.6/P2.1 (HALL signal input after functional switching) or P0.2/P3.7/P3.6. TIM1_CR3[T1INM] bit decides whether CMP/GPIO signal is filtered. The sampling mode for position detection is selected by CMP_CR3[SAMSEL].

15.1.2.1 Filtering

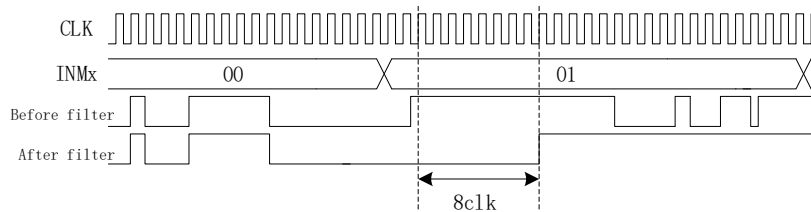


Figure 15-6 Timing Diagram of Filtering Module

According to TIM1_CR3[T1INM] and CMP_CR4[FAEN], the filtered pulse width of input noise can be selected as 8/16/24/32/64/96 system clock. After this feature is enabled, the signal is delayed about 8~9/16~17/24~25/32~33/64~65/96~97 system clocks.

15.1.2.2 Sampling

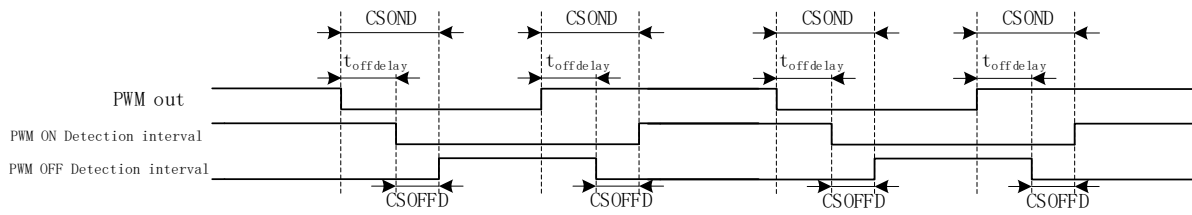


Figure 15-7 Timing Diagram of Sampling

The signal sources for sampling of TI2/TI1/TI0 come from the comparator CMP0/1/2 when using BEMF of floating voltage for position detection. But BEMF signal always lags behind PWM output, due to switching rate of the power device, delay of the comparator and delay of the filtering time. Therefore, `CMP_SAMR[CSOFFD]`, `CMP_SAMR[CSOND]` and `CMP_CR4[FAEN]` bits shall be set reasonably to adjust the sampling interval and obtain the valid position detection signal.

Refer to section 29.1.4 for details.

15.1.3 Position Detection Event

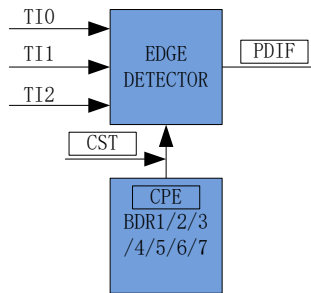


Figure 15-8 Schematic Diagram of Position Detection

The register bank `TIM1_DBR1/2/3/4/5/6/7[T1CPE]` is configured to select the active edge of position detection signal. When an active edge of CMP/GPIO Position Detection signal is detected, it indicates the position detection is successfully done, allowing the CMP/GPIO Position Detected Interrupt Flag `TIM1_SR[T1PDIF]` bit to become “1”. `TIM1_CR4[T1CST]` bit selects `TIM1_DBR1/2/3/4/5/6/7[T1CPE]` timing.

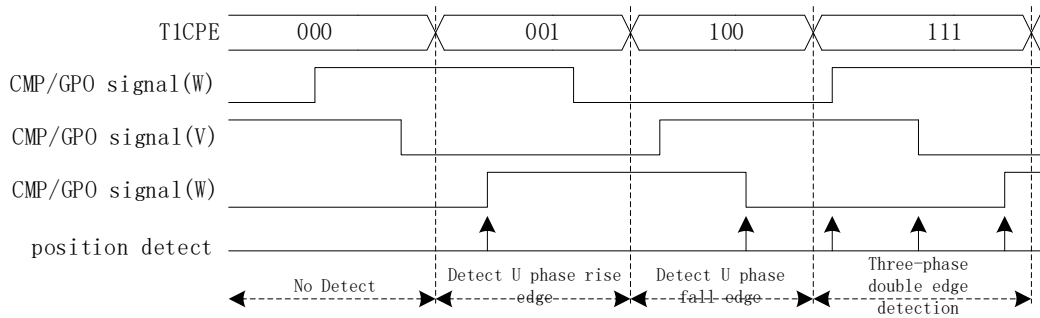


Figure 15-9 Timing Diagram of Position Detection

The relation between active edge and TIM1_DBR1/2/3/4/5/6/7[TICPE] is shown as below.

Table 15-2 Mapping between Active Edge and TIM1_DBR1/2/3/4/5/6/7[TICPE]

TICPE	Description	TICPE	Description
000	0	100	U-phase corresponding comparator is enabled when falling edge of U-phase is detected.
001	U-phase corresponding comparator is enabled when rising edge of U-phase is detected.	101	W-phase corresponding comparator is enabled when rising edge of W-phase is detected.
010	W-phase corresponding comparator is enabled when falling edge of W-phase is detected.	110	V-phase corresponding comparator is enabled when falling edge of V-phase is detected.
011	V-phase corresponding comparator is enabled when rising edge of V-phase is detected.	111	U+W+V-phase corresponding comparator is enabled when rising or falling edge of U+W+V-phase is detected.

15.1.4 Writing Timing Interrupt

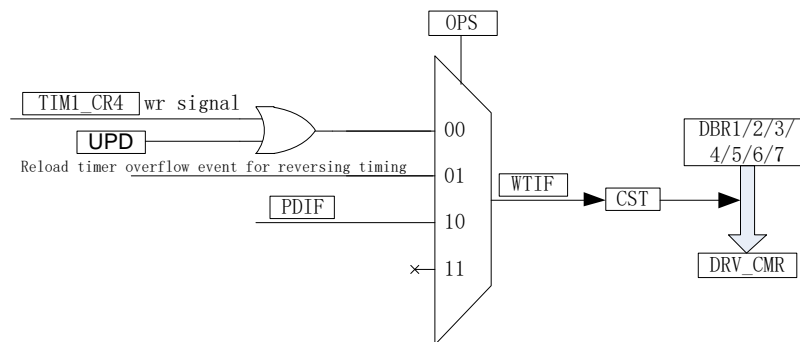


Figure 15-10 Write Timing Block Diagram

When the control logic, predefined in TIM1_DBR1/2/3/4/5/6/7, is sent to driver register DRV_CMR, a writing sequence interrupt is generated. The triggered source is selected by the configuration of TIM1_CR0[T1OPS], and the software, Reload Timer overflow event or position detected event can be selected. When a writing sequence interrupt is generated, writing sequence interrupt flag is set to “1”. If TIM1_CR4[T1CST] is in 001 ~ 110, TIM1_CR4[T1CST] adds 1 automatically.

15.1.5 Timer1 Interrupt

Timer1 has 5 interrupt sources:

- Overflow interrupt of base timer
- Overflow interrupt of reload timer
- Writing sequence interrupt
- Position detection interrupt
- Diode freewheeling end interrupt

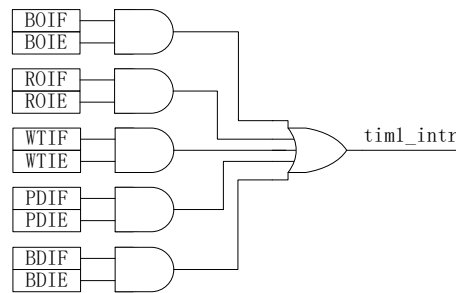


Figure 15-11 Timer1 Interrupt Sources

15.2 Square-wave Control Based BLDC Motor

For BLDC motor square-wave control application, Timer1 works with CMP0/1/2 and Driver module to achieve the following features:

- Automatic record of 60 degree time, filtered as 60 degree reference time
- Automatic forced phase commutation when position signal is not detected
- Automatic diode freewheeling masking, i.e., stopping position detection during diode freewheeling
- Automatic control of the time from position detected to phase commutation to achieve automatic commutation
- Take over CMP_CR2[CMP0SEL] to control CMP0/1/2 automatically
- Sampling mode for comparator signals can be set during PWM ON/OFF, and the signals can be configured to be filtered after sampling
- Take over DRV_CMCR register to control 6 PWM outputs automatically

15.2.1 Six-Step Phase Commutation of Square Wave Control

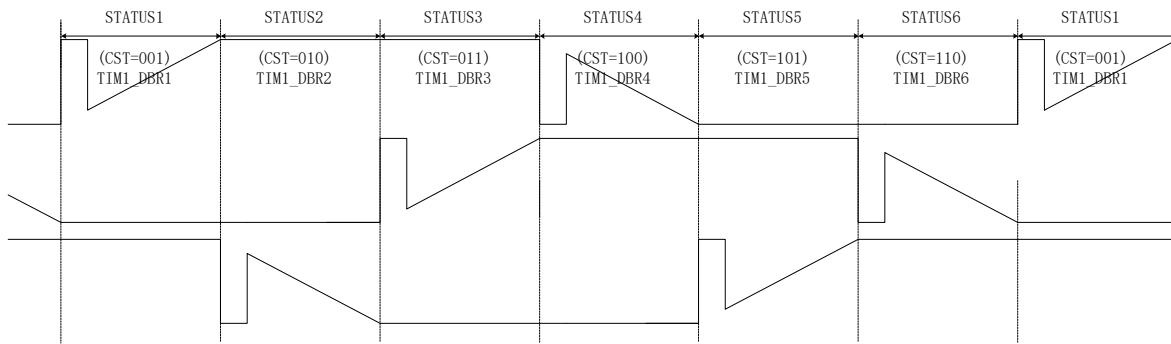


Figure 15-12 Diagram of Six-Step Phase Commutation of Square Wave Control

TIM1_CR4[T1CST] is the commutation state machine. Among them, state 0 is used to output off state, and state 7 is customizable for braking, pre-charging, pre-positioning, startup, etc. States 1 ~ 6 are used for six-step automatic commutation, and the state machine TIM1_CR4[T1CST] automatically adds 1 after phase commutation.

The states 1 ~ 7 maps to the TIM1_DBR1 ~ 7. When writing sequence interrupt occurs, TIM1_DBRx corresponding to the current state is automatically transferred to DRV_CMRR and CMP_CR2[CMP0SEL] for phase commutation and position detection.

15.2.2 Square Wave Control Working Principle

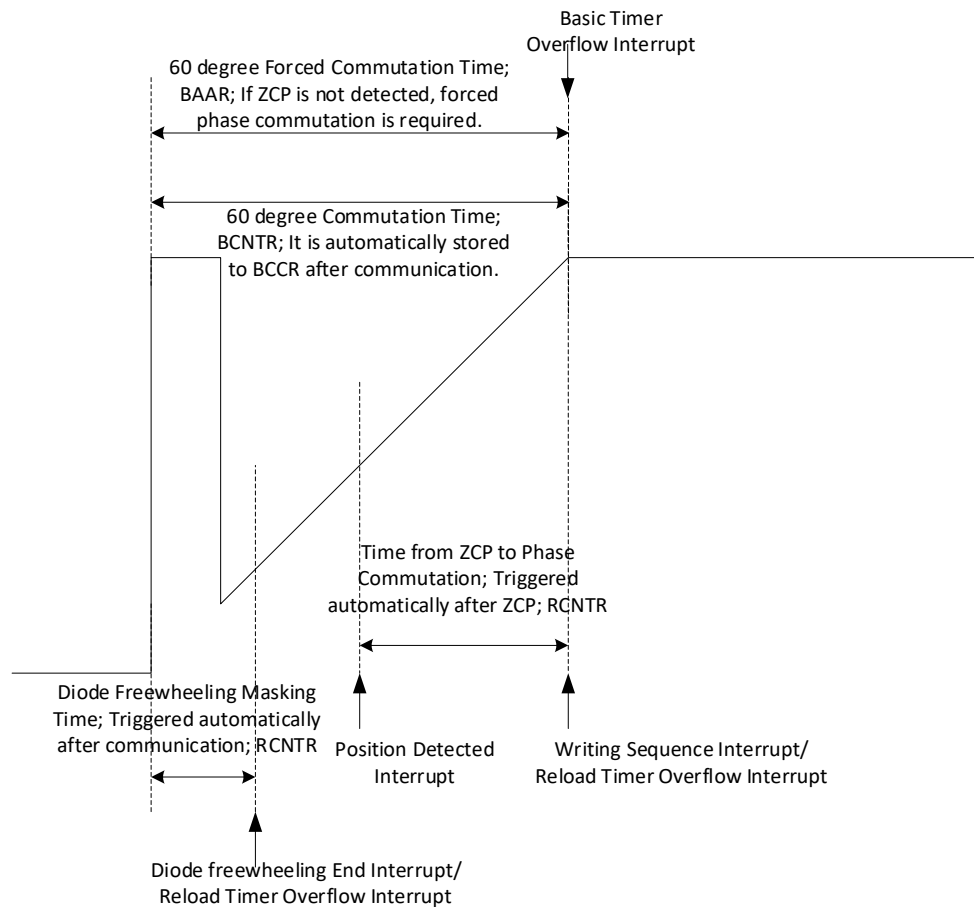


Figure 15-13 Square Wave Control Working Principle

15.2.2.1 60° Commutation Base Time

TIM1_BCCR captures the time of last 60 degree. TIM1_CR2[T1BRS] is set to “0” to capture the time between two writing sequence interrupts and TIM1_CR2[T1BRS] to “1” to capture the time between two position detected interrupts.

TIM1_BCOR is the filtered 60 degree time, i.e., 60 degree base time. TIM1_CR0[CFLT] can select the last 1/2/4/8 TIM1_BCCR averaged to obtain TIM1_BCOR.

In square-wave control mode, the diode freewheeling masking time, the time from position detected to commutation, and the time to forced commutation are determined by the 60 degree base time TIM1_BCOR.

When Base Timer is auto-load enabled (TIM1_CR1[T1BAPE] = 1), and is reset due to a position detection interrupt or a write timing interrupt, TIM1_BCOR is transferred to TIM1_BARR to control the forced phase commutation.

15.2.2.2 Forced Commutation at 60°

When the motor rotates smoothly, ZCP is generally detected after 30 degrees of rotation after a phase commutation and a position detection interrupt is generated. If ZCP is not detected in 60 degree after the phase

commutation, position detection fails and a forced phase commutation is required. In this case, TIM1_CR0[FORC] is set to 1 to enable the forced commutation feature. During previous commutation, the counter TIM1_BCNT is cleared to “0” by timing interrupt and restarts counting, while TIM1_BCCR captures the count value held in TIM1_BCNT, which is filtered and stored in TIM1_BCOR as the 60 degree base time. When auto-load feature is enabled (TIM1_CR1[T1BAPE] = 1), the value held in TIM1_BCOR is loaded into TIM1_BARR after the Base Timer is cleared. If no ZCP is detected in 60 degree after commutation (TIM1_BCNT matches TIM1_BARR), TIM1_SR[T1BOIF] (overflow interrupt flag of the Basic Timer) is set to “1” for forced phase commutation, and the counter TIM1_BCNT is cleared to “0”. But if an ZCP is detected within 60 degrees after phase commutation, even when TIM1_BCNT > TIM1_BARR, the forced commutation will not be triggered and TIM1_SR[T1BOIF] will not be set to “1”. When forced commutation feature is disabled (TIM1_CR0[T1FORC] = 0) and TIM1_BCNT > TIM1_BARR, the interrupt flag TIM1_SR[T1BOIF] is set to “1” and no forced phase commutation is automatically performed. Phase commutation can be performed manually by Basic Timer overflow interrupt flag and the position detected interrupt flag.

15.2.2.3 Diode Freewheeling Masking

After the commutation, inductance energy of the phase is released to the power supply or ground through the diode since the original active phase becomes a floating phase. During diode freewheeling, the floating phase BEMF signal cannot be measured. By masking comparator signal or ADC sampling value during diode freewheeling, wrong commutation caused by wrong signal generated by the freewheeling is avoided. After freewheeling masking, the freewheeling masking end interrupt flag TIM1_SR[T1BDIF] is generated.

Freewheeling masking time is set by TIM1_CR1[BSEL] with the formula: Masking angle = TIM1_CR1[BSEL]/128*60°.

15.2.2.4 Angle of Position Detected to Commutation

After commutation, a ZCP is detected (generating a position detected interrupt) and the hardware starts counting according to the software-set time between ZCP and the commutation. After the counting ends, the hardware automatically implements phase commutation and generates the write sequence interrupt flag TIM1_SR[T1WTIF].

The time between ZCP and commutation is set by TIM1_CR2[CSEL] with the formula: Commutation angle = TIM1_CR2[CSEL]/128*60°.

15.2.2.5 Cycle-by-cycle Current Limiting

Refer to section 29.1.1.2.

15.3 Timer1 Registers

15.3.1 TIM1_CR0 (0x4068)

Bit	7	6	5	4	3	2	1	0
Name	T1RWEN	T1CFLT		T1FORC	T1OPS		T1BCEN	T1RCEN
Type	R/W	R/W	R/W	R/W	R/W	R/W	R/W	R/W
Reset	0	0	0	0	0	0	0	0
Bit	Name		Description					
[7]	T1RWEN		Write to TIM1_CR0[T1RCEN] Enable 0: No effect 1: When TIM1_CR0 is updated, TIM1_CR0[T1RWEN] and TIM1_CR0[T1RCEN] shall be configured simultaneously to enable or disable TIM1_CR0[T1RCEN]. A write of “0x81” to TIM1_CR0 enables TIM1_CR0[T1RCEN], and “0x80” to disables TIM1_CR0[T1RCEN].					
[6:5]	T1CFLT		60 Degree Base Time Filtering Selection The average of previous x times 60 degree is used as the base time 00: 1 times 60 degree 01: 2 times 60 degree 10: 4 times 60 degree 11: 8 times 60 degree					
[4]	T1FORC		Forced Phase Commutation at 60° Enable 0: Disable 1: Enable Note: If a ZCP is detected, forced phase commutation will not be implemented even if this bit is enabled.					
[3:2]	T1OPS		Commutation Trigger Signal Select The bit selects the trigger signal for TIM1_DBRx to transfer data to DRV_CMRR. 00: The transfer is triggered upon a write of “1” to TIM1_IER[T1UPD] in software or on a write to TIM1_CR4[T1CST]. 01: The transfer is triggered upon an overflow interrupt of reload timer commutation counter 10: The transfer is triggered upon a Position Detected Interrupt 11: Reserved					
[1]	T1BCEN		Base Timer Enable 0: Disable 1: Enable					
[0]	T1RCEN		Reload Timer Enable When TIM1_CR0 is updated, TIM1_CR0[T1RWEN] and TIM1_CR0[T1RCEN] must be configured simultaneously to enable or disable TIM1_CR0[T1RCEN]. A write of “0x81” to TIM1_CR0 enables TIM1_CR0[T1RCEN] and “0x80” disables TIM1_CR0[T1RCEN]. TIM1_CR0[T1RCEN] is automatically enabled upon a Position Detected Interrupt and a Write Timing Interrupt. TIM1_CR0[T1RCEN] is cleared to “0” by hardware upon a Reload Timer Overflow Interrupt. TIM1_CR0[T1RCEN] cannot be automatically enabled or disabled by hardware in Manual mode. 0: Disable 1: Enable					

15.3.2 TIM1_CR1 (0x4069)

Bit	7	6	5	4	3	2	1	0
Name	T1BAPE	BSEL						
Type	R/W	R/W	R/W	R/W	R/W	R/W	R/W	R/W
Reset	0	0	0	0	0	0	0	0

Bit	Name	Description
[7]	T1BAPE	TIM1__BARR Register Auto-load Enable With this bit enabled, TIM1__BCOR is written to TIM1__BARR when Basic Timer is reset due to a Position Detected Interrupt or a Write Timing Interrupt. It is used for forced phase commutation at 60° when no ZCP is detected. Setting the device in Manual mode has no effect on TIM1__BARR Register auto-load feature. 0: Disable 1: Enable
[6:0]	BSEL	Diode Freewheeling Masking Angle Selection The bit is used to configure the angle of diode freewheeling masking after phase commutation. Position is not detected during diode freewheeling masking. Equation: Diode freewheeling masking angle = $TIM1_CR1[BSEL]/128*60^\circ$ Note: This bit is invalid in Manual mode.

15.3.3 TIM1_CR2 (0x406A)

Bit	7	6	5	4	3	2	1	0
Name	T1BRS	CSEL						
Type	R/W	R/W	R/W	R/W	R/W	R/W	R/W	R/W
Reset	0	0	0	0	0	0	0	0

Bit	Name	Description
[7]	T1BRS	Base Timer Reset Source Select This bit is invalid in Manual mode ($TIM1_IER[T1MAME] = 1$). TIM1__BCNTR can only be cleared by a BCNTR Overflow Interrupt. 0: Write Timing Reset 1: Position Detected Interrupt Reset
[6:0]	CSEL	Phase Commutation Angle Select After a position detected event, phase commutation is implemented after the degree configured by TIM1_CR2[CSEL]. Equation: Commutation angle = $TIM1_CR2[CSEL]/128*60^\circ$

15.3.4 TIM1_CR3 (0x406B)

Bit	7	6	5	4	3	2	1	0
Name	RSV	T1PSC			T1TIS		T1INM	
Type	R/W	R/W	R/W	R/W	R/W	R/W	R/W	R/W
Reset	0	0	0	0	0	1	0	0

Bit	Name	Description
[7]	RSV	Reserved
[6:4]	T1PSC	Timer Clock Source Frequency Select This bit is configured to divide the system clock as the clock source for Base Timer and Reload Timer. The clock source frequency of the two timers: 000:0x1 (24MHz) 001:0x2 (12MHz) 010:0x4 (6MHz) 011:0x8 (3MHz) 100:0x10 (1.5MHz) 101:0x20 (750KHz) 110:0x40 (375KHz) 111:0x80 (187.5KHz)
[3:2]	T1TIS	Position Detection Signal Select Flag 00: GPIO (select P1.4, P1.6, P2.1 or P0.2, P3.7, P3.6 according to HALL_CR[HALLSEL] bit) 01: Output signal of CMP0/1/2 1x: Reserved
[1:0]	T1INM	Filter Pulse Width for Position Detection Signal Select.

		<p>When pulse width of the input signal is less than the set value, it is filtered as noise. The filtering time is multiplied by 4 times according to CMP_CR4[FAEN].</p> <p>When CMP_CR4[FAEN] = 0:</p> <p>00: No filtering 01: 8 system clock cycles 10: 16 system clock cycles 11: 24 system clock cycles</p> <p>When CMP_CR4[FAEN]= 1:</p> <p>00: No filtering 01: 32 system clock cycles 10: 64 system clock cycles 11: 96 system clock cycles</p>
--	--	--

15.3.5 TIM1_CR4 (0x406C)

Bit	7	6	5	4	3	2	1	0														
Name	RSV					T1CST																
Type	R	R	R	R	R	R/W	R/W	R/W														
Reset	0	0	0	0	0	0	0	0														
Bit	Name	Description																				
[7:3]	RSV	Reserved																				
[2:0]	T1CST	<p>Commutation State Machine</p> <p>The state machine corresponds to different TIM1_DBRx at different states.</p> <p>When TIM1_CR4[T1CST] reads 001 ~ 111, Timer1 automatically enables or disables CMP0/1/2 according to the TIM1_DBRx[T1CPE].</p> <p>When TIM1_CR4[T1CST] reads 001 ~ 110, Timer1 automatically adds by “1” each cycle upon a Write Timing Interrupt.</p> <table border="1"> <thead> <tr> <th>TIM1_CR4[T1CST]</th> <th>TIM1_DBRx</th> <th>TIM1_CR4[T1CST]</th> <th>TIM1_DBRx</th> </tr> </thead> <tbody> <tr> <td>000</td> <td>0</td> <td>100</td> <td>TIM1_DBR4</td> </tr> <tr> <td>001</td> <td>TIM1_DBR1</td> <td>101</td> <td>TIM1_DBR5</td> </tr> <tr> <td>010</td> <td>TIM1_DBR2</td> <td>110</td> <td>TIM1_DBR6</td> </tr> <tr> <td>011</td> <td>TIM1_DBR3</td> <td>111</td> <td>TIM1_DBR7</td> </tr> </tbody> </table>	TIM1_CR4[T1CST]	TIM1_DBRx	TIM1_CR4[T1CST]	TIM1_DBRx	000	0	100	TIM1_DBR4	001	TIM1_DBR1	101	TIM1_DBR5	010	TIM1_DBR2	110	TIM1_DBR6	011	TIM1_DBR3	111	TIM1_DBR7
TIM1_CR4[T1CST]	TIM1_DBRx	TIM1_CR4[T1CST]	TIM1_DBRx																			
000	0	100	TIM1_DBR4																			
001	TIM1_DBR1	101	TIM1_DBR5																			
010	TIM1_DBR2	110	TIM1_DBR6																			
011	TIM1_DBR3	111	TIM1_DBR7																			

15.3.6 TIM1_IER (0x406D)

Bit	7	6	5	4	3	2	1	0
Name	T1UPD	T1MAME	RSV	T1BOIE	T1RUIE	T1WTIE	T1PDIE	T1BDIE
Type	W	R/W	R/W	R/W	R/W	R/W	R/W	R/W
Reset	0	0	0	0	0	0	0	0
Bit	Name	Description						
[7]	T1UPD	When TIM1_CR0[T1OPS] = 00, a write of “1” to this bit enables data transfer. This bit is cleared to “0” by hardware after “1” is written.						
[6]	T1MAME	<p>Manual Mode Enable</p> <p>With this bit enabled, Basic Timer and Reload Timer acts as separate counters.</p> <p>Details:</p> <p>TIM1__BCNTR of the Basic Timer is cleared by a Base Timer Overflow Interrupt instead of TIM1_CR2[T1BRS]</p> <p>TIM1_CR0[T1RCEN] of the Reload Timer cannot be cleared to “0” or set to “1” automatically, and is operated by software only.</p> <p>TIM1__RCNTR of the Reload Timer can be cleared to “0” upon a Reload Timer Overflow Interrupt only.</p> <p>TIM1__RARR of the Reload Timer cannot be updated automatically, and is operated by software only.</p> <p>0: Disable 1: Enable</p>						
[5]	RSV	Reserved						

[4]	T1BOIE	Base Timer Overflow Interrupt Enable 0: Disable 1: Enable
[3]	T1ROIE	Reload Timer Overflow Interrupt Enable 0: Disable 1: Enable
[2]	T1WTIE	Write Timing Interrupt Enable 0: Disable 1: Enable
[1]	T1PDIE	Position Detected Interrupt Enable 0: Disable 1: Enable
[0]	T1BDIE	Diode Freewheeling Masking Interrupt Enable 0: Disable 1: Enable

15.3.7 TIM1_SR (0x406E)

Bit	7	6	5	4	3	2	1	0
Name	T1POP	RSV	RSV	T1BOIF	T1ROIF	T1WTIF	T1PDIF	T1BDIF
Type	RW	R	R/W0	R/W0	R/W0	R/W0	R/W0	R/W0
Reset	0	0	0	0	0	0	0	0
Bit	Name	Description						
[7]	T1POP	Data Transfer Enable Triggered by Overflow Event of DRV Timer This bit is valid only when TIM1_CR0[T1OPS]=00. With this bit enabled, data transfer feature is triggered upon an overflow interrupt of DRV timer, that is, phase commutation is synchronously conducted with PWM overflow event. In this case, when TIM1_IER[T1UPD] or TIM1_CR4 is written, the data is transferred until the DRV timer becomes overflowed to avoid incomplete PWM waveform and reduce higher harmonic. 0: Disable 1: Enable						
[6]	RSV	Reserved						
[5]	RSV	Reserved						
[4]	T1BOIF	Base Timer Overflow Interrupt Flag An overflow event occurs when Basic Timer counts up and TIM1__BCNTR matches with TIM1__BARR. Read: 0: No Interrupt Pending 1: Interrupt Pending Write: 0: This bit is cleared to “0”. 1: No effect						
[3]	T1ROIF	Reload Timer Overflow Interrupt Flag An overflow event occurs and TIM1__RCNTR is cleared to “0” when TIM1__RCNTR matches TIM1__RARR. Read: 0: No Interrupt Pending 1: Interrupt Pending Write: 0: This bit is cleared to “0”. 1: No effect						
[2]	T1WTIF	Writing Sequence Interrupt Flag Write Sequence Interrupt is generated when TIM1_DBRx is transferred to						

		<p>DRV_CMCR.</p> <p>Read:</p> <p>0: No Interrupt Pending</p> <p>1: Interrupt Pending</p> <p>Write:</p> <p>0: This bit is cleared to “0”.</p> <p>1: Write Timing Interrupt is generated when IM1_CR0[T1OPS] = 00. Otherwise, it has no meaning.</p>
[1]	T1PDIF	<p>Position Detected Interrupt Flag</p> <p>A position detected interrupt is generated when Position Detection matches TIM1_DBRx[T1CPE].</p> <p>Read:</p> <p>0: No Interrupt Pending</p> <p>1: Interrupt Pending</p> <p>Write:</p> <p>0: This bit is cleared to “0”.</p> <p>1: No effect</p>
[0]	T1BDIF	<p>Diode Freewheeling Masking End Interrupt Flag</p> <p>Diode freewheeling masking starts after phase commutation and an interrupt is generated at end.</p> <p>Read:</p> <p>0: No Interrupt Pending</p> <p>1: Interrupt Pending</p> <p>Write:</p> <p>0: This bit is cleared to “0”.</p> <p>1: No effect</p>

15.3.8 TIM1_BCOR (0x4070, 0x4071)

TIM1_BCORH (0x4070)								
Bit	7	6	5	4	3	2	1	0
Name	TIM1_BCORH							
Type	R/W	R/W	R/W	R/W	R/W	R/W	R/W	R/W
Reset	0	0	0	0	0	0	0	0
TIM1_BCORL (0x4071)								
Bit	7	6	5	4	3	2	1	0
Name	TIM1_BCORL							
Type	R/W	R/W	R/W	R/W	R/W	R/W	R/W	R/W
Reset	0	0	0	0	0	0	0	0
Bit	Name		Description					
[15:0]	TIM1_BCOR		The bit is configured to capture filtered count values held in the Base Timer. TIM1_BCCR holds the filtered count value, i.e.60 Degree Base Time .					

15.3.9 TIM1_DBR1 (0x4074, 0x4075)

TIM1_DBR1H (0x4074)								
Bit	7	6	5	4	3	2	1	0
Name	RSV	T1CPE			T1WHP	T1WLP	T1VHP	T1VLP
Type	-	R/W	R/W	R/W	R/W	R/W	R/W	R/W
Reset	-	0	0	0	0	0	0	0
TIM1_DBR1L (0x4075)								
Bit	7	6	5	4	3	2	1	0
Name	T1UHP	T1ULP	T1WHE	T1WLE	T1VHE	T1VLE	T1UHE	T1ULE
Type	R/W	R/W	R/W	R/W	R/W	R/W	R/W	R/W
Reset	0	0	0	0	0	0	0	0

Bit	Name	Description
[15]	RSV	Reserved
[14:12]	T1CPE	Position Detection Input Edge Polarity and Comparator Enable Select This bit is used to define the edge of Position Detection Input and enable or disable the associated comparators. The detected edge in input signal, corresponding to the configuration, generates a position detected interrupt. Refer to Position Detection Event and Table 15-2.
[11]	T1WHP	High-side Output Polarity of W-phase 0: Active High 1: Active Low
[10]	T1WLP	Low-side Output Polarity of W-phase 0: Active High 1: Active Low
[9]	T1VHP	High-side Output Polarity of V-phase 0: Active High 1: Active Low
[8]	T1VLP	Low-side Output Polarity of V-phase 0: Active High 1: Active Low
[7]	T1UHP	High-side Output Polarity of U-phase 0: Active High 1: Active Low
[6]	T1ULP	Low-side Output Polarity of U-phase 0: Active High 1: Active Low
[5]	T1WHE	High-side Output Enable of W-phase 0: Disable 1: Enable
[4]	T1WLE	Low-side Output Enable of W-phase 0: Disable 1: Enable
[3]	T1VHE	High-side Output Enable of V-phase 0: Disable 1: Enable
[2]	T1VLE	Low-side Output Enable of V-phase 0: Disable 1: Enable
[1]	T1UHE	High-side Output Enable of U-phase 0: Disable 1: Enable
[0]	T1ULE	Low-side Output Enable of U-phase 0: Disable 1: Enable

Note: The high-side and low-side outputs of W, V and U-phases are complementary and dead time is automatically added (same for TIM1_DBR2 ~ TIM1_DBR7) when TIM1_DBR1[T1WLE] and TIM1_DBR1[T1WHE], TIM1_DBR1[T1VLE] and TIM1_DBR1[T1VHE] or TIM1_DBR1[T1ULE] and TIM1_DBR1[T1UHE] are set to “1”.

15.3.10 TIM1_DBR2 (0x4076, 0x4077)

TIM1_DBR2H (0x4076)								
Bit	7	6	5	4	3	2	1	0
Name	RSV	T1CPE			T1WHP	T1WLP	T1VHP	T1VLP
Type	-	R/W	R/W	R/W	R/W	R/W	R/W	R/W
Reset	-	0	0	0	0	0	0	0
TIM1_DBR2L (0x4077)								
Bit	7	6	5	4	3	2	1	0
Name	T1UHP	T1ULP	T1WHE	T1WLE	T1VHE	T1VLE	T1UHE	T1ULE
Type	R/W	R/W	R/W	R/W	R/W	R/W	R/W	R/W
Reset	0	0	0	0	0	0	0	0
Bit	Name	Description						
[15]	RSV	Reserved						
[14:12]	T1CPE	Position Detection Input Edge Polarity and Comparator Enable Select This bit is used to define the edge of Position Detection Input and enable or disable the associated comparators. The detected edge in input signal, corresponding to the configuration, generates a position detected interrupt. Refer to Position Detection Event and Table 15-2.						
[11]	T1WHP	High-side Output Polarity of W-phase 0: Active High 1: Active Low						
[10]	T1WLP	Low-side Output Polarity of W-phase 0: Active High 1: Active Low						
[9]	T1VHP	High-side Output Polarity of V-phase 0: Active High 1: Active Low						
[8]	T1VLP	Low-side Output Polarity of V-phase 0: Active High 1: Active Low						
[7]	T1UHP	High-side Output Polarity of U-phase 0: Active High 1: Active Low						
[6]	T1ULP	Low-side Output Polarity of U-phase 0: Active High 1: Active Low						
[5]	T1WHE	High-side Output Enable of W-phase 0: Disable 1: Enable						
[4]	T1WLE	Low-side Output Enable of W-phase 0: Disable 1: Enable						
[3]	T1VHE	High-side Output Enable of V-phase 0: Disable 1: Enable						
[2]	T1VLE	Low-side Output Enable of V-phase 0: Disable 1: Enable						
[1]	T1UHE	High-side Output Enable of U-phase 0: Disable 1: Enable						
[0]	T1ULE	Low-side Output Enable of U-phase 0: Disable 1: Enable						

15.3.11 TIM1_DBR3 (0x4078, 0x4079)

TIM1_DBR3H (0x4078)								
Bit	7	6	5	4	3	2	1	0
Name	RSV	T1CPE			T1WHP	T1WLP	T1VHP	T1VLP
Type	-	R/W	R/W	R/W	R/W	R/W	R/W	R/W
Reset	-	0	0	0	0	0	0	0
TIM1_DBR3L (0x4079)								
Bit	7	6	5	4	3	2	1	0
Name	T1UHP	T1ULP	T1WHE	T1WLE	T1VHE	T1VLE	T1UHE	T1ULE
Type	R/W	R/W	R/W	R/W	R/W	R/W	R/W	R/W
Reset	0	0	0	0	0	0	0	0
Bit	Name	Description						
[15]	RSV	Reserved						
[14:12]	T1CPE	Position Detection Input Edge Polarity and Comparator Enable Select This bit is used to define the edge of Position Detection Input and enable or disable the associated comparators. The detected edge in input signal, corresponding to the configuration, generates a position detected interrupt. Refer to Position Detection Event and Table 15-2.						
[11]	T1WHP	High-side Output Polarity of W-phase 0: Active High 1: Active Low						
[10]	T1WLP	Low-side Output Polarity of W-phase 0: Active High 1: Active Low						
[9]	T1VHP	High-side Output Polarity of V-phase 0: Active High 1: Active Low						
[8]	T1VLP	Low-side Output Polarity of V-phase 0: Active High 1: Active Low						
[7]	T1UHP	High-side Output Polarity of U-phase 0: Active High 1: Active Low						
[6]	T1ULP	Low-side Output Polarity of U-phase 0: Active High 1: Active Low						
[5]	T1WHE	High-side Output Enable of W-phase 0: Disable 1: Enable						
[4]	T1WLE	Low-side Output Enable of W-phase 0: Disable 1: Enable						
[3]	T1VHE	High-side Output Enable of V-phase 0: Disable 1: Enable						
[2]	T1VLE	Low-side Output Enable of V-phase 0: Disable 1: Enable						
[1]	T1UHE	High-side Output Enable of U-phase 0: Disable 1: Enable						
[0]	T1ULE	Low-side Output Enable of U-phase 0: Disable 1: Enable						

15.3.12 TIM1_DBR4 (0x4080, 0x4081)

TIM1_DBR4H (0x4080)								
Bit	7	6	5	4	3	2	1	0
Name	RSV	T1CPE			T1WHP	T1WLP	T1VHP	T1VLP
Type	-	R/W	R/W	R/W	R/W	R/W	R/W	R/W
Reset	-	0	0	0	0	0	0	0
TIM1_DBR4L (0x4081)								
Bit	7	6	5	4	3	2	1	0
Name	T1UHP	T1ULP	T1WHE	T1WLE	T1VHE	T1VLE	T1UHE	T1ULE
Type	R/W	R/W	R/W	R/W	R/W	R/W	R/W	R/W
Reset	0	0	0	0	0	0	0	0
Bit	Name	Description						
[15]	RSV	Reserved						
[14:12]	T1CPE	Position Detection Input Edge Polarity and Comparator Enable Select This bit is used to define the edge of Position Detection Input and enable or disable the associated comparators. The detected edge in input signal, corresponding to the configuration, generates a position detected interrupt. Refer to Position Detection Event and Table 15-2.						
[11]	T1WHP	High-side Output Polarity of W-phase 0: Active High 1: Active Low						
[10]	T1WLP	Low-side Output Polarity of W-phase 0: Active High 1: Active Low						
[9]	T1VHP	High-side Output Polarity of V-phase 0: Active High 1: Active Low						
[8]	T1VLP	Low-side Output Polarity of V-phase 0: Active High 1: Active Low						
[7]	T1UHP	High-side Output Polarity of U-phase 0: Active High 1: Active Low						
[6]	T1ULP	Low-side Output Polarity of U-phase 0: Active High 1: Active Low						
[5]	T1WHE	High-side Output Enable of W-phase 0: Disable 1: Enable						
[4]	T1WLE	Low-side Output Enable of W-phase 0: Disable 1: Enable						
[3]	T1VHE	High-side Output Enable of V-phase 0: Disable 1: Enable						
[2]	T1VLE	Low-side Output Enable of V-phase 0: Disable 1: Enable						
[1]	T1UHE	High-side Output Enable of U-phase 0: Disable 1: Enable						
[0]	T1ULE	Low-side Output Enable of U-phase 0: Disable 1: Enable						

15.3.13 TIM1_DBR5 (0x4082, 0x4083)

TIM1_DBR5H (0x4082)								
Bit	7	6	5	4	3	2	1	0
Name	RSV	T1CPE			T1WHP	T1WLP	T1VHP	T1VLP
Type	-	R/W	R/W	R/W	R/W	R/W	R/W	R/W
Reset	-	0	0	0	0	0	0	0
TIM1_DBR5L (0x4083)								
Bit	7	6	5	4	3	2	1	0
Name	T1UHP	T1ULP	T1WHE	T1WLE	T1VHE	T1VLE	T1UHE	T1ULE
Type	R/W	R/W	R/W	R/W	R/W	R/W	R/W	R/W
Reset	0	0	0	0	0	0	0	0
Bit	Name	Description						
[15]	RSV	Reserved						
[14:12]	T1CPE	Position Detection Input Edge Polarity and Comparator Enable Select This bit is used to define the edge of Position Detection Input and enable or disable the associated comparators. The detected edge in input signal, corresponding to the configuration, generates a position detected interrupt. Refer to Position Detection Event and Table 15-2.						
[11]	T1WHP	High-side Output Polarity of W-phase 0: Active High 1: Active Low						
[10]	T1WLP	Low-side Output Polarity of W-phase 0: Active High 1: Active Low						
[9]	T1VHP	High-side Output Polarity of V-phase 0: Active High 1: Active Low						
[8]	T1VLP	Low-side Output Polarity of V-phase 0: Active High 1: Active Low						
[7]	T1UHP	High-side Output Polarity of U-phase 0: Active High 1: Active Low						
[6]	T1ULP	Low-side Output Polarity of U-phase 0: Active High 1: Active Low						
[5]	T1WHE	High-side Output Enable of W-phase 0: Disable 1: Enable						
[4]	T1WLE	Low-side Output Enable of W-phase 0: Disable 1: Enable						
[3]	T1VHE	High-side Output Enable of V-phase 0: Disable 1: Enable						
[2]	T1VLE	Low-side Output Enable of V-phase 0: Disable 1: Enable						
[1]	T1UHE	High-side Output Enable of U-phase 0: Disable 1: Enable						
[0]	T1ULE	Low-side Output Enable of U-phase 0: Disable 1: Enable						

15.3.14 TIM1_DBR6 (0x4084, 0x4085)

TIM1_DBR6H (0x4084)								
Bit	7	6	5	4	3	2	1	0
Name	RSV	T1CPE			T1WHP	T1WLP	T1VHP	T1VLP
Type	-	R/W	R/W	R/W	R/W	R/W	R/W	R/W
Reset	-	0	0	0	0	0	0	0
TIM1_DBR6L (0x4085)								
Bit	7	6	5	4	3	2	1	0
Name	T1UHP	T1ULP	T1WHE	T1WLE	T1VHE	T1VLE	T1UHE	T1ULE
Type	R/W	R/W	R/W	R/W	R/W	R/W	R/W	R/W
Reset	0	0	0	0	0	0	0	0
Bit	Name	Description						
[15]	RSV	Reserved						
[14:12]	T1CPE	Position Detection Input Edge Polarity and Comparator Enable Select This bit is used to define the edge of Position Detection Input and enable or disable the associated comparators. The detected edge in input signal, corresponding to the configuration, generates a position detected interrupt. Refer to Position Detection Event and Table 15-2.						
[11]	T1WHP	High-side Output Polarity of W-phase 0: Active High 1: Active Low						
[10]	T1WLP	Low-side Output Polarity of W-phase 0: Active High 1: Active Low						
[9]	T1VHP	High-side Output Polarity of V-phase 0: Active High 1: Active Low						
[8]	T1VLP	Low-side Output Polarity of V-phase 0: Active High 1: Active Low						
[7]	T1UHP	High-side Output Polarity of U-phase 0: Active High 1: Active Low						
[6]	T1ULP	Low-side Output Polarity of U-phase 0: Active High 1: Active Low						
[5]	T1WHE	High-side Output Enable of W-phase 0: Disable 1: Enable						
[4]	T1WLE	Low-side Output Enable of W-phase 0: Disable 1: Enable						
[3]	T1VHE	High-side Output Enable of V-phase 0: Disable 1: Enable						
[2]	T1VLE	Low-side Output Enable of V-phase 0: Disable 1: Enable						
[1]	T1UHE	High-side Output Enable of U-phase 0: Disable 1: Enable						
[0]	T1ULE	Low-side Output Enable of U-phase 0: Disable 1: Enable						

15.3.15 TIM1_DBR7 (0x4086, 0x40857)

TIM1_DBR7H (0x4086)								
Bit	7	6	5	4	3	2	1	0
Name	RSV	T1CPE			T1WHP	T1WLP	T1VHP	T1VLP
Type	-	R/W	R/W	R/W	R/W	R/W	R/W	R/W
Reset	-	0	0	0	0	0	0	0
TIM1_DBR7L (0x4087)								
Bit	7	6	5	4	3	2	1	0
Name	T1UHP	T1ULP	T1WHE	T1WLE	T1VHE	T1VLE	T1UHE	T1ULE
Type	R/W	R/W	R/W	R/W	R/W	R/W	R/W	R/W
Reset	0	0	0	0	0	0	0	0
Bit	Name	Description						
[15]	RSV	Reserved						
[14:12]	T1CPE	Position Detection Input Edge Polarity and Comparator Enable Select This bit is used to define the edge of Position Detection Input and enable or disable the associated comparators. The detected edge in input signal, corresponding to the configuration, generates a position detected interrupt. Refer to Position Detection Event and Table 15-2.						
[11]	T1WHP	High-side Output Polarity of W-phase 0: Active High 1: Active Low						
[10]	T1WLP	Low-side Output Polarity of W-phase 0: Active High 1: Active Low						
[9]	T1VHP	High-side Output Polarity of V-phase 0: Active High 1: Active Low						
[8]	T1VLP	Low-side Output Polarity of V-phase 0: Active High 1: Active Low						
[7]	T1UHP	High-side Output Polarity of U-phase 0: Active High 1: Active Low						
[6]	T1ULP	Low-side Output Polarity of U-phase 0: Active High 1: Active Low						
[5]	T1WHE	High-side Output Enable of W-phase 0: Disable 1: Enable						
[4]	T1WLE	Low-side Output Enable of W-phase 0: Disable 1: Enable						
[3]	T1VHE	High-side Output Enable of V-phase 0: Disable 1: Enable						
[2]	T1VLE	Low-side Output Enable of V-phase 0: Disable 1: Enable						
[1]	T1UHE	High-side Output Enable of U-phase 0: Disable 1: Enable						
[0]	T1ULE	Low-side Output Enable of U-phase 0: Disable 1: Enable						

15.3.16 TIM1__BCNTR (0x4082, 0x4083)

TIM1 BCNTRH (0x4082)								
Bit	7	6	5	4	3	2	1	0
Name	TIM1 BCNTRH							
Type	R/W	R/W	R/W	R/W	R/W	R/W	R/W	R/W
Reset	0	0	0	0	0	0	0	0
TIM1 BCNTRL (0x4083)								
Bit	7	6	5	4	3	2	1	0
Name	TIM1 BCNTRL							
Type	R/W	R/W	R/W	R/W	R/W	R/W	R/W	R/W
Reset	0	0	0	0	0	0	0	0
Bit	Name	Description						
[15:0]	TIM1__BCNTR	This bit holds count values of the Base Timer and is used for clocking commutation at 60°. Auto mode: TIM1__BCNTR register selects the reset source according to TIM1_CR2[T1BRS], and TIM1__BCNTR does not restart when TIM1__BCNTR overflow interrupt is generated. Manual mode: TIM1__BCNTR restarts when TIM1__BCNTR overflow interrupt is generated.						

15.3.17 TIM1__BCCR (0x4084, 0x4085)

TIM1 BCCRH (0x4084)								
Bit	7	6	5	4	3	2	1	0
Name	TIM1 BCCRH							
Type	R/W	R/W	R/W	R/W	R/W	R/W	R/W	R/W
Reset	0	0	0	0	0	0	0	0
TIM1 BCCRL (0x4084)								
Bit	7	6	5	4	3	2	1	0
Name	TIM1 BCCRL							
Type	R/W	R/W	R/W	R/W	R/W	R/W	R/W	R/W
Reset	0	0	0	0	0	0	0	0
Bit	Name	Description						
[15:0]	TIM1__BCCR	The bit is configured to capture count values held in Base Timer. Auto mode: When the Base Timer is reset on a Position Detected Interrupt or a Write Timing Interrupt, the count values before the reset are stored into TIM1__BCOR. Manual mode: When the Base Timer is reset on an Overflow Interrupt, the count values before the reset are stored into TIM1__BCCR.						

15.3.18 TIM1__BARR (0x4086, 0x4087)

TIM1 BARRH (0x4086)								
Bit	7	6	5	4	3	2	1	0
Name	TIM1 BARRH							
Type	R/W	R/W	R/W	R/W	R/W	R/W	R/W	R/W
Reset	0	0	0	0	0	0	0	0
TIM1 BARRL (0x4087)								
Bit	7	6	5	4	3	2	1	0
Name	TIM1 BARRL							
Type	R/W	R/W	R/W	R/W	R/W	R/W	R/W	R/W
Reset	0	0	0	0	0	0	0	0
Bit	Name	Description						
[15:0]	TIM1__BARR	When the count value of the Base Timer equals to TIM1__BARR value, an overflow interrupt is generated and the counter is cleared to "0".						

15.3.19 TIM1_RARR (0x4088, 0x4089)

TIM1_RARRH (0x4088)								
Bit	7	6	5	4	3	2	1	0
Name	TIM1_RARRH							
Type	R/W	R/W	R/W	R/W	R/W	R/W	R/W	R/W
Reset	0	0	0	0	0	0	0	0
TIM1_RARRL (0x4089)								
Bit	7	6	5	4	3	2	1	0
Name	TIM1_RARRL							
Type	R/W	R/W	R/W	R/W	R/W	R/W	R/W	R/W
Reset	0	0	0	0	0	0	0	0
Bit	Name	Description						
[15:0]	TIM1_RARR	Auto-Reload Value in Reload Timer When count of the Reload Timer is equal to TIM1_RARR, an overflow interrupt is generated and the value of counter is cleared to "0". Auto mode: The value of diode freewheeling masking angle held in TIM1_CR1[BSEL] is updated to TIM1_RARR when a Write Sequence Interrupt is generated. The value of commutation angle held in TIM1_CR2[CSEL] is updated to TIM1_RARR when a Position Detected Interrupt occurs. Manual mode: TIM1_RARR does not updated automatically.						

15.3.20 TIM1_RCNTR (0x408A, 0x408B)

TIM1_RCNTRH (0x408A)								
Bit	7	6	5	4	3	2	1	0
Name	TIM1_RCNTRH							
Type	R/W	R/W	R/W	R/W	R/W	R/W	R/W	R/W
Reset	0	0	0	0	0	0	0	0
TIM1_RCNTRL (0x408B)								
Bit	7	6	5	4	3	2	1	0
Name	TIM1_RCNTRL							
Type	R/W	R/W	R/W	R/W	R/W	R/W	R/W	R/W
Reset	0	0	0	0	0	0	0	0
Bit	Name	Description						
[15:0]	TIM1_RCNTR	Count value of the Reload Timer for counting numbers of diode freewheeling masking and ZCP to phase commutation. Note: In Manual mode, TIM1_RCNTR is cleared to "0" only by a Reload Timer overflow interrupt.						

15.3.21 TIM1_ITRIP (0x4098, 0x4099)

TIM1_ITRIPH (0x4098)								
Bit	7	6	5	4	3	2	1	0
Name	TIM1_ITRIP[15:8]							
Type	R	R	R	R	R	R	R	R
Reset	0	0	0	0	0	0	0	0
TIM1_ITRIPL (0x4099)								
Bit	7	6	5	4	3	2	1	0
Name	TIM1_ITRIP[7:0]							
Type	R	R	R	R	R	R	R	R
Reset	0	0	0	0	0	0	0	0
Bit	Name	Description						
[15:0]	TIM1_ITRIP	Filtered Bus Current When DRV_CNTR = 0, the hardware automatically samples the bus						

		current and filters it for software application. The default channel is ADC channel 4. Range [0.32767]
--	--	---

16 Timer2

16.1 Timer2 Instructions

Timer2 has the following five working modes:

- Output mode: PWM generation
- Input capture mode: Detect the duration of high and low level of input PWM
- Input counter mode: Detect the time of set PWM wave numbers
- QEP & RSD mode: Quadrature Encoder Pulse & Rotating State Detection (tailwind/headwind detection)
- Stepping Mode: Detect rotation direction, position and speed of step motor.

Timer2 features:

- 3-bit programmable prescaler divides the system clock
- 16-bit up-counting Base Timer; Counting clock source serves as the output of prescaler
- 16-bit up/down-counting special counter for Input Counter Mode, QEP&RSD Mode and Step Mode, with external input signal selected as clock source.
- Input filter module
- Edge detection module
- PWM generation module
- Interrupt event

16.1.1 Prescaler

Prescaler divides the system clock frequency and generates clock source for Base Timer. 8 frequency division coefficients of prescaler are available and can be selected by TIM2_CR0[T2PSC]. Since this register has no buffer, the clock source frequency is updated immediately after TIM2_CR0[T2PSC] is written. Therefore, the frequency division coefficients shall be configured when Basic Timer is not working.

The clock rate: $f_{CK_CNT} = f_{CK_PSC} / T2PSC$ (f_{CK_PSC} refers to system clock frequency)

If the system clock runs at 24MHz(41.67ns):

Table 16-1 Mapping between Clock Rate and TIM2_CR0[T2PSC]

TIM2_CR0[T2PSC]	Coefficient (Hex.)	clk_psc2(Hz)	TIM2_CR0[T2PSC]	Coefficient (Hex.)	clk_psc2(Hz)
000	0x1	24M	100	0x10	1.5M
001	0x2	12M	101	0x20	750k
010	0x4	6M	110	0x40	375k
011	0x8	3M	111	0x80	187.5k

16.1.2 Reading, Writing and Counting of TIM2__CNTR

When TIM2_CR1[T2CEN] = 1, TIM2__CNTR starts to count. The write operation to TIM2__CNTR directly changes the value of the register, so Base Timer shall be disabled before the write operation. When reading TIM2__CNTR, software reads the high-order bits first, and the hardware synchronously caches the

low-order bits. When reading the low-order bits, the software reads the cached data.

16.1.3 Output Mode

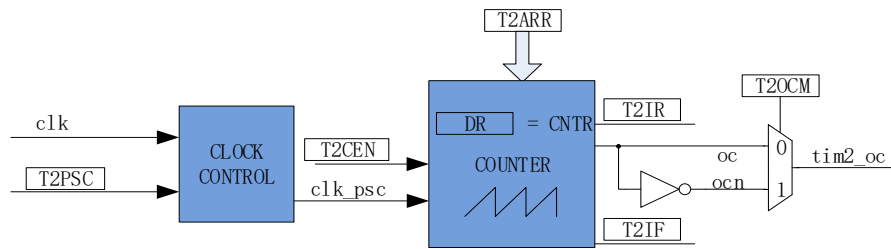


Figure 16-1 Output Mode Block Diagram

The output mode generates output signals according to TIM2_CR0[T2OCM], and the comparison results between TIM2_CNTR and registers TIM2_DR, TIM2_ARR. Meanwhile, corresponding interrupts events are generated.

16.1.3.1 Reading and Writing of TIM2_ARR/TIM2_DR

In output mode, TIM2_ARR/TIM2_DR contains preload registers and shadow registers. When the software writes TIM2_ARR/TIM2_DR register, the data is saved in the preload register. When the overflow event TIM2_CR1[T2IF] is generated or the Base Timer stops working (TIM2_CR1[T2CEN] = 0), the set value is transferred to the shadow register.

TIM2_ARR/TIM2_DR is a 16-bit register, which requires to write the high-order byte first and then the low-order byte. The hardware ensures that the data in the preload register is not transferred to the shadow register after the high-order byte is written or before the low-order byte is written.

16.1.3.2 High/Low Level Output

When TIM2_CR0[T2OCM] = 0, if TIM2_DR > TIM2_ARR, the output signal is always low. When TIM2_CR0[T2OCM] = 1, if TIM2_DR > TIM2_ARR, the output signal is always high.

16.1.3.3 PWM Generation

In PWM generation mode, TIM2_ARR determines PWM cycle, TIM2_DR determines duty cycle, and duty cycle = TIM2_DR/TIM2_ARR*100%. If TIM2_CR0[T2OCM] = 0, the low level is output when TIM2_CNTR ≤ TIM2_DR, and the high level is output when TIM2_CNTR > TIM2_DR. If TIM2_CR0[T2OCM] = 1, the high level is output when TIM2_CNTR ≤ TIM2_DR, and the low level is output when TIM2_CNTR > TIM2_DR. When TIM2_CNTR is increased to TIM2_ARR, the output signal is reversed.

16.1.3.4 Interrupts

- When TIM2_CNTR = TIM2_DR, a compare match event is generated and the interrupt flag bit TIM2_CR1[T2IR] is set to “1”. The counter continues.
- When TIM2_CNTR = TIM2_ARR, an overflow event is generated, and the interrupt flag bit

TIM2_CR1[T2IF] is set to “1”. The counter is cleared to “0” and then restarts

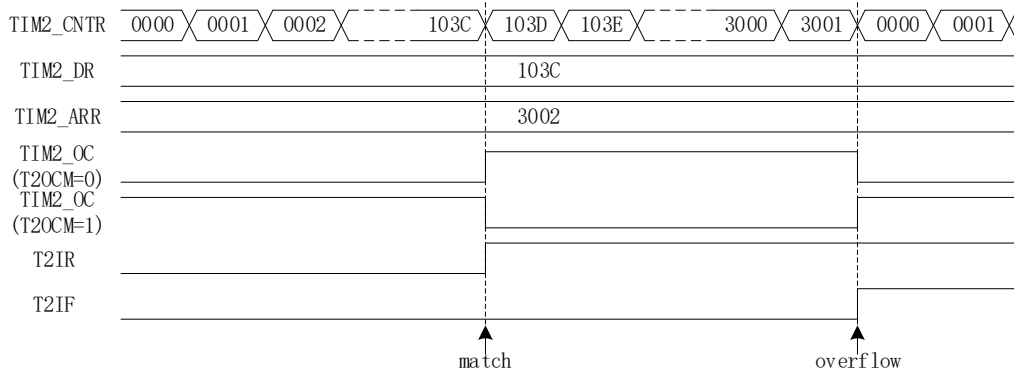


Figure 16-2 Output Mode Waveform

16.1.4 Input Signal Filtering and Edge Detection

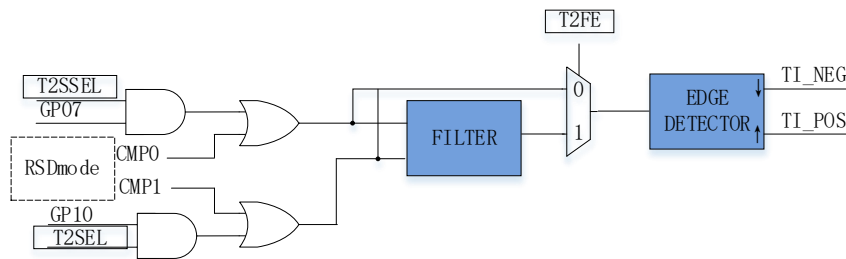


Figure 16-3 Block Diagram of Input Signal Filtering and Edge Detection

The input signal of Timer2 comes from P0.7 or P1.0, set by PH_SEL[T2SEL] and PH_SEL [T2SSEL] (refer to section 22.3.14). The filter of input signal is optional, and the edge detection module detects filtered input signals and records rising edge and falling edge for input capture mode or input counting modes

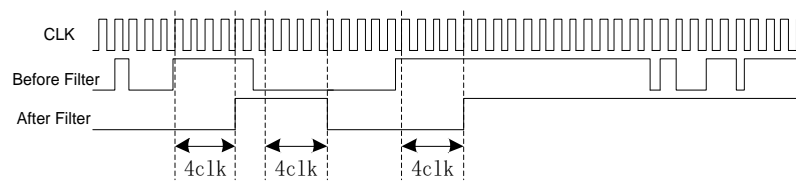


Figure 16-4 Timing Diagram of Filter Module

The filtering feature is enabled when TIM2_CR1[T2_FE] is set to “1”, and filtering circuit filters signals every 4 system cycles. The filtered signal is 4~5 clock cycles later than the signal before filtering. TIM2_CR0[T2CES] determines the active edge to count.

16.1.5 Input Capture Mode

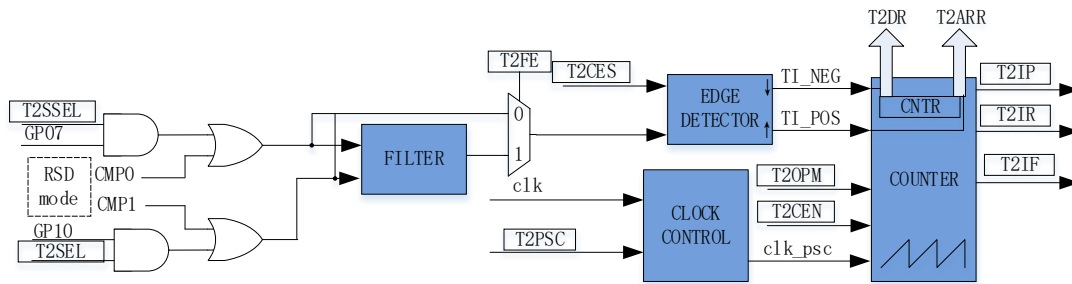


Figure 16-5 Schematic Diagram of Input Capture Mode

The input capture mode detects duty cycle and period of the PWM signal. When $TIM_CR0[T2CES] = 0$, the time between two adjacent rising edges forms one cycle, and the time from rising edge to falling edge forms the pulse width (HIGH). When $TIM_CR0[T2CES] = 1$, the time between two adjacent falling edges forms one cycle, and the time from falling edge to rising edge forms the pulse width (LOW). When the predefined edge arrives, the count value $TIM2_CNTR$ is stored in $TIM2_DR$ and $TIM2_ARR$ respectively to calculate the period and duty cycle of PWM waveform.

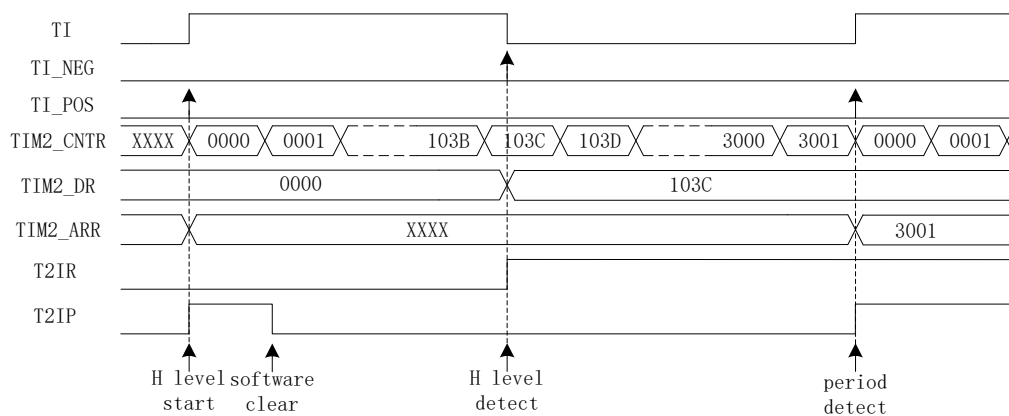


Figure 16-6 Timing Diagram of Input Capture Mode ($TIM2_CR0[T2CES] = 0$)

For example, when $T2CES = 0$, $TIM2_CR1[T2CEN]$ is set to “1” to enable the Base Timer. When the first rising edge of the input (falling edge is invalid) is detected, $TIM2_CNTR$ is cleared and restarts. When falling edge of the input is detected, the value of $TIM2_CNTR$ is stored in $TIM2_DR$, while the interrupt flag $TIM2_CR1[T2IR]$ is set to “1”, and $TIM2_CNTR$ continues to count. When the second rising edge of input is detected, the value of $TIM2_CNTR$ is stored in $TIM2_ARR$. Meanwhile, the interrupt flag $TIM2_CR1[T2IP]$ is set to “1”, and $TIM2_CNTR$ is cleared to “0” and restarts.

An overflow event occurs if Timer2 does not detect the second rising edge of the input and $TIM2_CNTR$ reaches 0xFFFF. In this case, the interrupt flag $TIM2_CR1[T2IF]$ is set to “1”, and $TIM2_CNTR$ is cleared to 0 and restarts.

16.1.6 Input Counter Mode

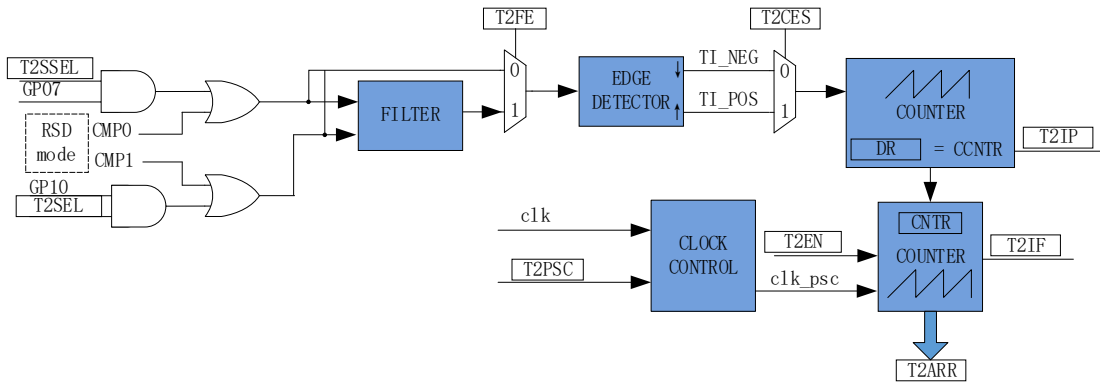


Figure 16-7 Schematic Diagram of Input Counter Mode

In input counter mode, TIM2_DR includes preload register and shadow register. When the software writes TIM2_DR register, the data is saved in the preload register first, and then sent to the shadow register in case of compare match event (TIM2_CR1[T2IP] = 1), overflow event (TIM2_CR1[T2IF] = 1) or counter disable (TIM2_CR1[T2CEN] = 0). TIM2_DR is a 16-bit register, which requires the software writes the high-order byte first and then the low-order byte. The hardware ensures that the data in the preload register is not updated to the shadow register after the high-order byte is written and before the low-order byte is written.

The input counter mode is used to detect the time to input the set PWM wave. When the number of input PWM counted by the special counter CCNTR reaches the set value (TIM2_DR), TIM2_CNTR of the Base Timer is stored in TIM2_ARR. When TIM2_CR0[T2CES] is set to “1”, the rising edge of the input PWM signal serves as the active counting edge of the special counter; when TIM2_CR0[T2CES] is set to “0”, the falling edge of the input signal as the active edge.

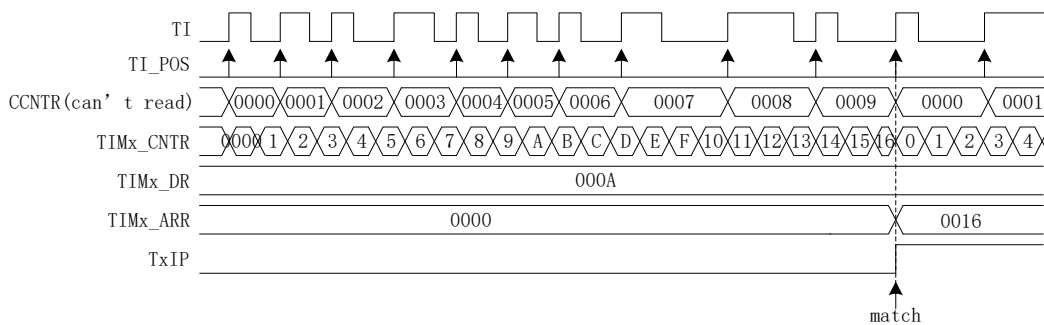


Figure 16-8 Timing Diagram of Input Counter Mode

The Basic Timer is enabled when TIM2_CR1[T2CEN] is set to “1”. If the first active edge of the input signal is detected, TIM2_CNTR is cleared to “0” and restarts. Whenever active edge of the input signal arrives, one is added to the count value of the special counter CCNTR. When the count value reaches TIM2_DR, TIM2_CNTR is stored in TIM2_ARR. When TIM2_CR1[T2IP] is set to “1”, TIM2_CNTR

and CCNTR are cleared to “0” and restart.

When the number of input PWM does not reach the set value and TIM2__CNTR reaches 0xFFFF, an overflow event generates, and the interrupt flag TIM2_CR1[T2IF] is set to “1”. TIM2__CNTR is cleared to “0” with CCNTR uncleared. TIM2__CNTR starts counting from 0, and CCNTR continues counting with the previous value.

16.1.7 QEP&RSD Mode

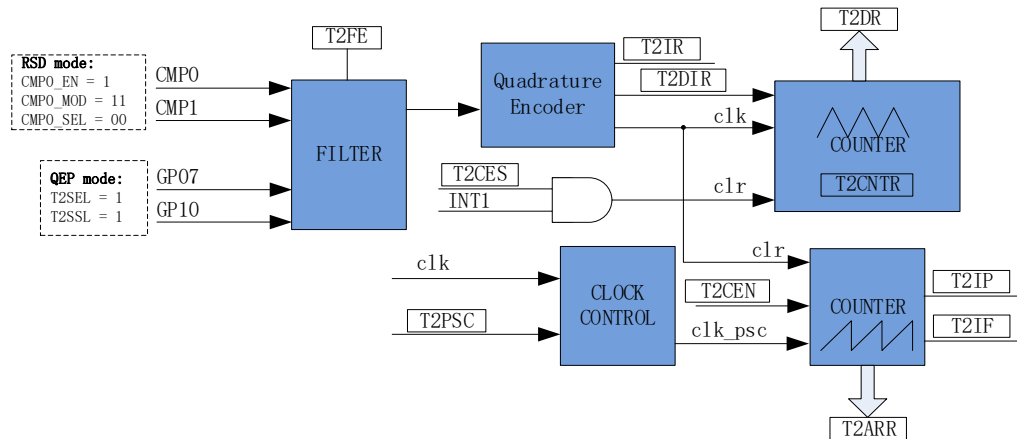


Figure 16-9 Schematic Diagram of QEP&RSD Mode

QEP & RSD mode obtains relative position, direction and speed of the motor by detecting orthogonal signals on two channels from P0. 7 and P1. 0 (QEP mode) or CMP0, CMP1 (RSD mode) are the input signal sources, which are sent to the quadrature decoding module from the filtering module to obtain active edge and direction (TIM2_CR1[T2DIR]).

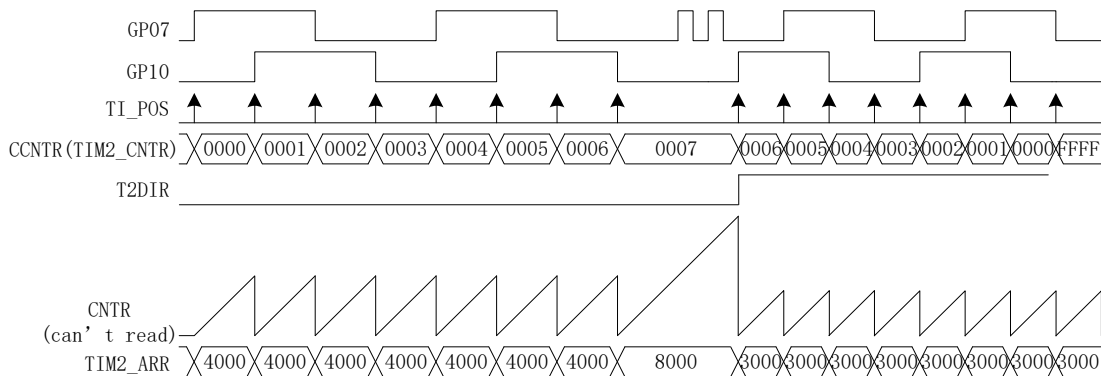


Figure 16-10 Timing Diagram of QEP&RSD Mode

The special counter is an up/down counter, and the signal source is the active edge from orthogonal decoding module. If TIM2_CR1[T2DIR] = 0, the direction is positive, and special counter counts upward. When the active edge arrives, the counter increases by one. If TIM2_CR1[T2DIR] = 1, the direction is reverse and special counter counts downward. When the active edge arrives, the counter decreases by one. The special

counter can be cleared to “0” by INT1. INT1 is enabled after mechanical zero point of the encoder is connected to any port of INT1. When TIM2_CR0[T2CES] is set to “1” and INT1 is generated, current count value of the special counter is stored in TIM2_DR and cleared to “0”. If count value of the special counter reaches 65535 from 0, it is automatically cleared to 0. If it decreases from 65535 to 0, it is automatically set to 65535. TIM2_CNTR is read to obtain the value of special counter.

The Base Timer is an up-counter used to record the time of two active counting edges. The clock source frequency can be divided. When the counting edge arrives, the value of Base Timer is stored in TIM2_ARR and cleared to “0”, and TIM2_CR1[T2IP] interrupt flag bit is set to “1”. When Base Timer counts to 0xFFFF, the count overflows and TIM2_CR1[T2IF] interrupt flag is generated.

16.1.7.1 RSD Comparator Sampling

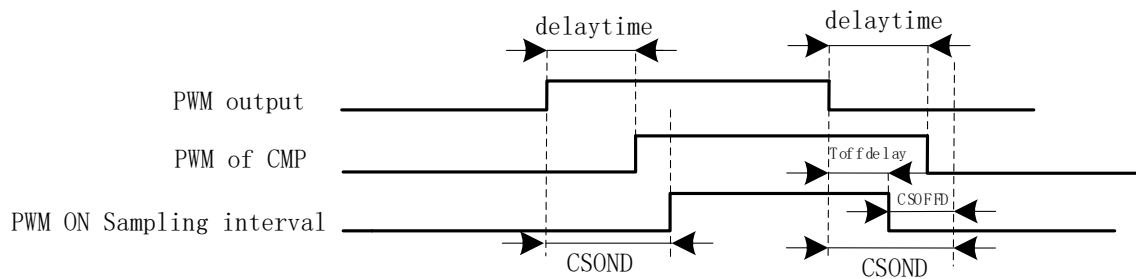


Figure 16-11 PWM ON Sampling Mode

The Start of Sampling (“SoS”) time delay and End of Sampling (“EoS”) time advance must be set in order to sample correct BEMF comparison signals in the RSD Sampling mode.

Refer to section 29.1.4 for details.

16.1.8 Step Mode

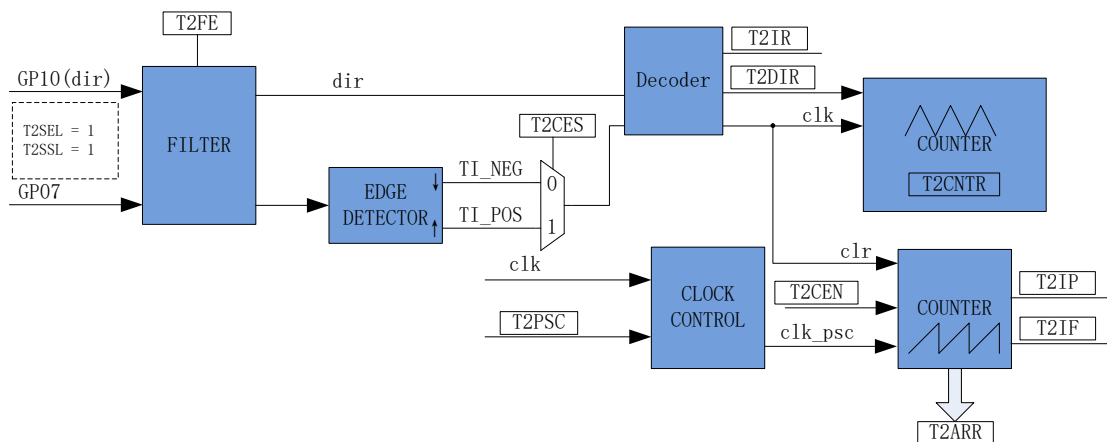


Figure 16-12 Stepping Mode Schematic Diagram

In step mode, relative position, direction and speed of the step motor are obtained by detecting inputs

of the two channel. P1.0 is direction input, and P0.7 is pulse input. Setting TIM2_CR0[T2CES] selects the rising edge or falling edge as the active edge. The input signals are sent to decoding module from the filtering module to obtain the active edge and direction TIM2_CR1[T2DIR]. The change of direction will generate TIM2_CR1[T2IR] interrupt.

Note: TIM2_CR1[T2DIR] and TIM2_CR1[T2IR] will not change unless transition occurs at P1.0 and active edge is detected at P0.7. To generate an interrupt immediately after P1.0 changes, use INT1.

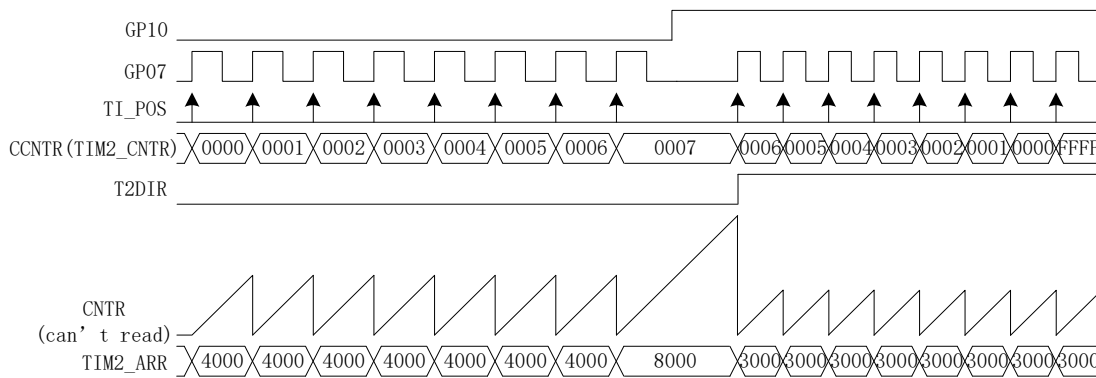


Figure 16-13 Timing Diagram of Step Mode

The special counter is an up/down-counter, and the signal source is active edge of the encoding module. When P1.0 = 0, TIM2_CR1[T2DIR] = 0, the direction is forward. If active edge of P0.7 arrives, the special counter CCNTR increases by 1. When P1.0 = 1, TIM2_CR1[T2DIR] = 1 and the direction is reverse. If active edge of P0.7 arrives, CCNTR decreases by 1. If count value of the special counter reaches 65535 from 0, it is automatically cleared to “0”. If it decreases from 65535 to 0, it is automatically set to 65535. TIM2_CNTR is read to obtain the value of special counter.

The Base Timer is an up counter, which uses the output of prescaler as the clock source to record the time between two active counting edges. When active counting edge arrives, the value of Basic Timer is stored in TIM2_ARR and then cleared to “0”, and TIM2_CR1[T2IP] interrupt flag bit is set to “1”. When Base Timer counts to 0xFFFF, the count overflows and the interrupt (TIM2_CR1[T2IF]) is generate.

16.2 TIM2 Registers

16.2.1 TIM2_CR0(0xA1)

Bit	7	6	5	4	3	2	1	0
Name	T2PSC			T2OCM	T2IRE	T2CES	T2MOD	
Type	R/W	R/W	R/W	R/W	R/W	R/W	R/W	R/W
Reset	0	0	0	0	0	0	0	0
Bit	Name	Description						
[7:5]	T2PSC	Base Timer Clock Prescaler Select bit It is configured to divide the system clock frequency and generate the clock source for Base Timer. The prescaled clock rates are configured as follows: 000:0x1 (24MHz) 001:0x2 (12MHz) 010:0x4 (6MHz) 011:0x8 (3MHz) 100:0x10 (1.5MHz) 101:0x20 (750kHz) 110:0x40 (375kHz) 111:0x80 (187.5kHz)						
[4]	T2OCM	Output Mode: Output Mode Select Bit 0: Output “0” when TIM2_CNTR ≤ TIM2_DR; output “1” when TIM2_CNTR > TIM2_DR 1: Output “1” when TIM2_CNTR ≤ TIM2_DR; output “0” when TIM2_CNTR > TIM2_DR Input Counter Mode: No effect Input Capture Mode: No effect QEP&RSD Mode and Stepping Mode Select bit 0: QEP&RSD Mode 1: Stepping Mode						
[3]	T2IRE	Output Mode: Compare match interrupt enable Input Capture Mode: Pulse width detection interrupt enable Input Counter Mode: No effect QEP & RSD Mode: Direction change interrupt enable Step Mode: Direction change interrupt enable 0: Disable 1: Enable						
[2]	T2CES	Output Mode: No effect Input Capture Mode: Counting Edge Select bit 0: The time between two adjacent raising edges forms one cycle, and the time from rising edge to falling edge forms the pulse width (HIGH). The time between two adjacent falling edges forms one cycle, and the time from falling edge to raising edge forms the pulse width (LOW). Input Count Mode: Active Edge Select bit 0: Falling Edge Count 1: Raising Edge Count QEP&RSD Mode: INT1 (Zero Point) Clear Pulse Counter Enable 0: Disable 1: Enable Stepping Mode: Active Edge Select bit 0: Falling Edge Count 1: Raising Edge Count						
[1:0]	T2MOD	Mode Select Bit 00: Input Capture Mode 01: Output Mode (TIM2_DR and TIM2_ARR shall be properly configured)						

		10: Input Counter Mode 11: QEP&RSD Mode or Stepping Mode
--	--	---

16.2.2 TIM2_CR1(0xA9)

Bit	7	6	5	4	3	2	1	0
Name	T2IR	T2IP	T2IF	T2IPE	T2IFE	T2FE	T2DIR	T2CEN
Type	R/W0	R/W0	R/W0	R/W	R/W	R/W	R	R/W
Reset	0	0	0	0	0	0	0	0

Bit	Name	Description
[7]	T2IR	Output Mode: Match Interrupt Flag Input Capture Mode: Pulse Width Detection Interrupt Flag Input Counter Mode: No effect QEP & RSD Mode: Direction change interrupt enable Step Mode: Direction change interrupt enable Read: 0: No Interrupt Pending 1: Interrupt Pending Write: 0: This bit is cleared to “0”. 1: No effect
[6]	T2IP	Output Mode: No effect Input Capture Mode: PWM Cycle Detection Interrupt Flag Input Counter Mode: PWM Input Count Match Interrupt Flag QEP&RSD Mode and Stepping Mode: This bit is set to “1” when active edge of the input signal is detected. Read: 0: No Interrupt Pending 1: Interrupt Pending Write: 0: This bit is cleared to “0”. 1: No effect
[5]	T2IF	Output Mode: Base Timer Overflow Interrupt Flag, which is set to “1” when TIM2_CNTR matches TIM2_ARR. Input Capture Mode: Base Timer Overflow Interrupt Flag, which is set to “1” when the Timer has not detected an input PWM cycle but the timer TIM2_CNTR value reaches 0xFFFF. Input Counter Mode: Special-purpose Counter overflow Interrupt Flag, which is set to “1” when the input PWM cycle has not reached the preset TIM2_DR value but the Base Timer TIM2_CNTR value reaches 0xFFFF. QEP&RSD Mode and Stepping Mode: Base Timer Overflow Interrupt Flag, which is set to “1” and Basic Timer is cleared to “0” when Basic Timer reaches to 0xFFFF. Read: 0: No Interrupt Pending 1: Interrupt Pending Write: 0: This bit is cleared to “0”. 1: No effect
[4]	T2IPE	Output Mode: No effect Input Capture Mode: PWM Cycle Detection Interrupt Enable Input Counter Mode: PWM Input Count Match Interrupt Enable QEP&RSD Mode and Stepping Mode: Active Edge Detection Interrupt Enable 0: Disable 1: Enable
[3]	T2IFE	Output Mode: Base Timer Overflow Interrupt Enable Input Capture Mode: Base Timer Overflow Interrupt Enable Input Counter Mode: Base Timer Overflow Interrupt Enable QEP&RSD Mode and Stepping Mode: Base Timer Overflow Interrupt Enable

		0: Disable 1: Enable
[2]	T2FE	Input Signal Filter Select bit When TIM2_CR1[T2FE] = 1, input signals are filtered out as noise if the pulse width is less than 4 clock cycle. Assuming that the system clock runs at 24MHz (41.67ns) , then the pulse width for filtering is 166.67ns. 0: Not to filter signals 1: Signals filtered on every 4 clock cycles
[1]	T2DIR	QEP&RSD Mode: Indicator of Motor Rotation Direction Rotation direction of the motor is determined according to the phase relationship of the two input signals. Stepping Mode: Indicator of Motor Rotation Direction Rotation direction of the motor is determined according to the direction signal P1.0. 0: Forward 1: Backward
[0]	T2CEN	Base Timer Enable 0: Disable 1: Enable

16.2.3 TIM2_CNTR(0xAA,0xAB)

TIM2_CNTRH(0xAB)								
Bit	7	6	5	4	3	2	1	0
Name	TIM2_CNTRH							
Type	R/W	R/W	R/W	R/W	R/W	R/W	R/W	R/W
Reset	0	0	0	0	0	0	0	0
TIM2_CNTRL(0xAA)								
Bit	7	6	5	4	3	2	1	0
Name	TIM2_CNTRL							
Type	R/W	R/W	R/W	R/W	R/W	R/W	R/W	R/W
Reset	0	0	0	0	0	0	0	0
Bit	Name	Description						
[15:0]	TIM2_CNTR	Output Mode/Input Capture Mode/Input Counter Mode: Count values held in the Base Timer QEP&RSD Mode and Stepping Mode: count values held in the special timer						

16.2.4 TIM2_DR(0xAC,0xAD)

TIM2_DRH(0xAD)								
Bit	7	6	5	4	3	2	1	0
Name	TIM2_DRH							
Type	R/W	R/W	R/W	R/W	R/W	R/W	R/W	R/W
Reset	0	0	0	0	0	0	0	0
TIM2_DRL(0xAC)								
Bit	7	6	5	4	3	2	1	0
Name	TIM2_DRL							
Type	R/W	R/W	R/W	R/W	R/W	R/W	R/W	R/W
Reset	0	0	0	0	0	0	0	0
Bit	Name	Description						
[15:0]	TIM2_DR	Output Mode: Compare match value (written by software) Input Capture Mode: Count value of the detected input pulse width (written by hardware)						

		Input Counter Mode: PWM cycles to be counted (written by software) QEP&RSD Mode: Count value of the special counter when T2CES=1 and INT1 interrupt (Zero Point) is detected (written by hardware) Stepping Mode: No effect
--	--	---

16.2.5 TIM2__ARR(0xAE,0xAF)

TIM2__ARRH(0xAF)								
Bit	7	6	5	4	3	2	1	0
Name	TIM2__ARRH							
Type	R/W	R/W	R/W	R/W	R/W	R/W	R/W	R/W
Reset	0	0	0	0	0	0	0	0
TIM2__ARRL(0xAE)								
Bit	7	6	5	4	3	2	1	0
Name	TIM2__ARRL							
Type	R/W	R/W	R/W	R/W	R/W	R/W	R/W	R/W
Reset	0	0	0	0	0	0	0	0
Bit	Name	Description						
[15:0]	TIM2__ARR	Output Mode: PWM cycle (written by software) Input Capture Mode: Count value held in Base Timer of a PWM cycle (written by hardware) Input Counter Mode: Count value held in Base Timer when the input PWM count matches (written by hardware) QEP&RSD Mode and Stepping Mode: Count value held in Base Timer when the input signal is detected as an active edge (written by hardware)						

17 Timer3/Timer4

17.1 Timer3/Timer4 Instructions

Timer3/Timer4 support output and input modes:

- Output mode: Generate PWM
- Input capture mode: Detect the duration of high and low level of input PWM, which can be used to calculate PWM duty cycle

Timer3/Timer4 Features:

- 3-bit programmable prescaler divides system clock as the clock source for Base Timer (clock source of Timer3 can be doubled to 48MHz in input capture mode)
- 16-bit up-counting Base Timer; The output of the prescaler serves as the counting clock source
- Input signal filtering
- Input signal edge detection
- Output PWM signal, single compare output
- Interrupt event

17.1.1 Prescaler

Prescaler divides the system clock frequency and generates counter clock source for Base Timer. 8 frequency division coefficients of prescaler are available and can be selected by TIMx_CR0[TxPSC]. Since this register has no buffer, the clock source frequency is updated immediately after TIMx_CR0[TxPSC] is written. Therefore, the frequency division coefficients shall be configured when Basic Timer is not working.

The clock rate: $f_{CK_CNT} = f_{CK_PSC} / TxPSC$ (f_{CK_PSC} refers to system clock frequency)

If the system clock runs at 24MHz(41.67ns):

Table 17-1 Mapping between Clock Rate and TIMx_CR0[TxPSC]

TIMx_CR0[TxPSC]	Division Factor	clk_pscx (Hz)	TIMx_CR0[TxPSC]	Division Factor	clk_pscx (Hz)
000	0x1	24M	100	0x10	1.5M
001	0x2	12M	101	0x20	750k
010	0x4	6M	110	0x40	375k
011	0x8	3M	111	0x80	187.5k

17.1.2 Reading, Writing and Counting of TIMx_CNTR

TIMx_CNTR starts when TIMx_CR1[TxEN] = 1. The write operation to TIMx_CNTR directly changes the value of the register, so it is required to disable the counter before performing the write operation. When software reads TIMx_CNTR, it reads the high-order byte first and then the low-order byte, and the hardware caches the low-order byte simultaneously. When reading the low-order byte, the software reads the cached data.

17.1.3 Output Mode

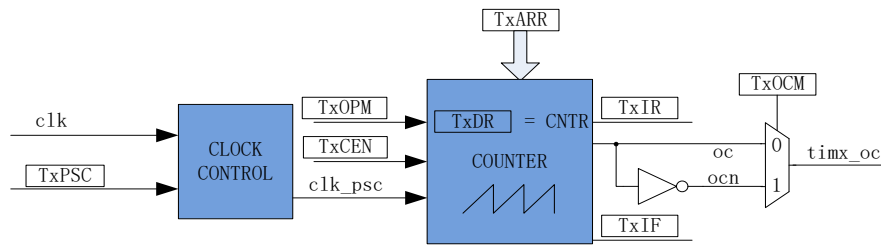


Figure 17-1 Output Mode Block Diagram

The output mode generate output signals according to $TIMx_CR0[TxOCM]$, and the comparison results between $TIMx_CNTR$ and registers $TIMx_DR$, $TIMx_ARR$. Meanwhile, corresponding interrupts is generated.

17.1.3.1 High-/Low-level Output Mode

When $TIMx_CR0[TxOCM] = 0$ and $TIMx_DR > TIMx_ARR$, the output signals are always low. When $TIMx_CR0[TxOCM] = 1$ and $TIMx_DR > TIMx_ARR$, the output signals are always high.

17.1.3.2 PWM Generation

In PWM generation mode, $TIMx_ARR$ determines PWM cycle, and $TIMx_DR$ determines the duty cycle, and $duty\ cycle = TIMx_DR / TIMx_ARR * 100\%$. If $TIMx_CR0[Tx_OCM] = 0$, the low level is output when $TIMx_CNTR \leq TIMx_DR$, and the high level is output when $TIMx_CNTR > TIMx_DR$. If $TIMx_CR0[Tx_OCM] = 1$, the high level is output when $TIMx_CNTR \leq TIMx_DR$, and low level is output when $TIMx_CNTR > TIMx_DR$. When $TIMx_CNTR > TIMx_ARR$, the output signal is reversed.

17.1.3.3 Interrupt Event

- When $TIMx_CNTR = TIMx_DR$, a compare match interrupt is generated. The interrupt flag $TIMx_CR1[TxIR]$ is set to “1”, and the timer continues.
- When $TIMx_CNTR = TIMx_ARR$, an overflow event is generated. The interrupt flag $TIMx_CR1[TxIF]$ is set to “1”, and the counter is cleared to “0”. $TIMx_CR0[TxOPM]$ determines whether the timer recounts. The counter stops when $TIMx_CR0[TxOPM] = 1$, and restarts when $TIMx_CR0[TxOPM] = 0$.

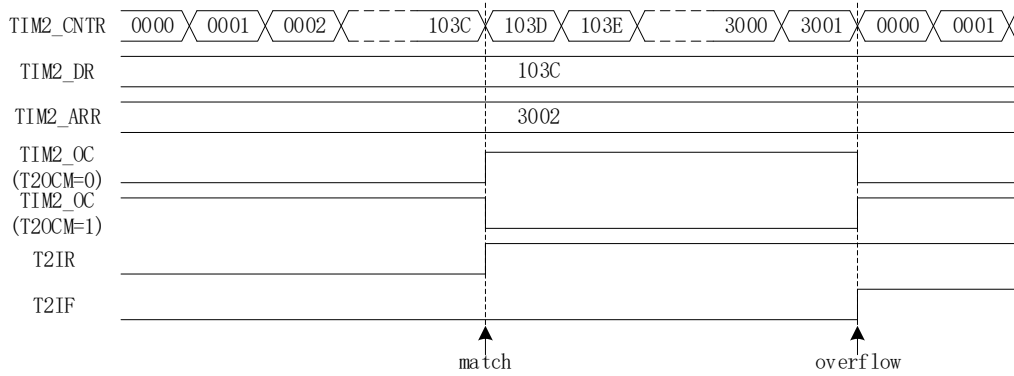


Figure 17-2 Output Waveform of Output Mode

17.1.4 Input Signal Filtering and Edge Detection

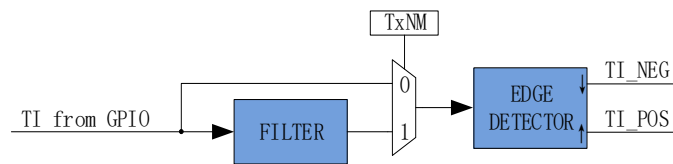


Figure 17-3 Block Diagram of Input Signal Filtering and Edge Detection

The input signals of Timer3/Timer4 come from GPIO pin. The edge detection module detects the filtered input signal from filtering module, and records the rising edge and falling edge for input capture mode.

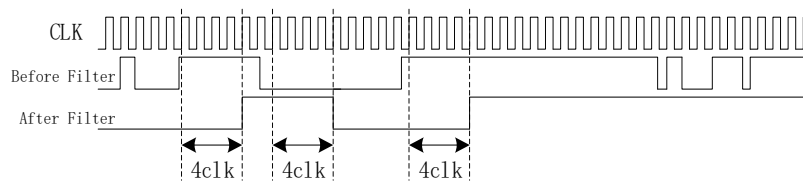


Figure 17-4 Timing Diagram of Filter Module

TIMx_CR1[TINM] is configured to disable the filtering circuit or filter out the input noise below 4/8/16 system clock cycles. The filtered signal is 4/8/16 system clock cycles delayed than the signal before filtering.

17.1.5 Input Capture Mode

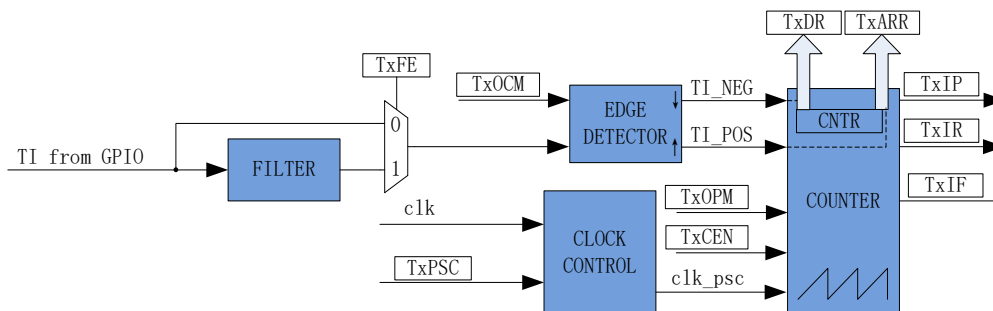


Figure 17-5 Schematic Diagram of Input Capture Mode

The Input Capture Mode detects pulse width and waveform period of the input PWM signals. When $TIMx_CR0[TxOCM] = 0$, the time between two adjacent rising edges forms one cycle, and the time from rising edge to falling edge forms the pulse width (HIGH). When $TIMx_CR0[TxOCM] = 1$, the time between two adjacent falling edges forms one cycle, and the time from falling edge to rising edge forms the pulse width (LOW). The pulse width and the period obtained by $TIMx_CNTR$ are stored in $TIMx_DR$ and $TIMx_ARR$ respectively.

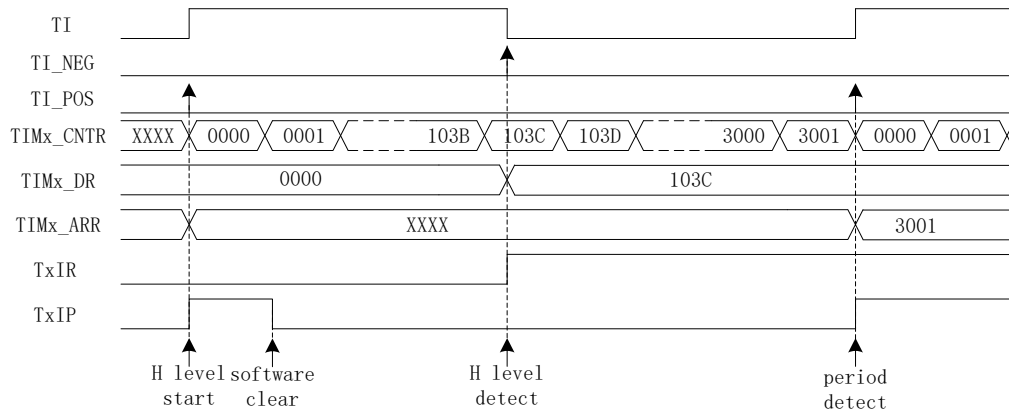


Figure 17-6 Timing Diagram of Input Capture Mode ($TIMx_CR0[TxOCM] = 0$)

For example, when $TIMx_CR0[TxOCM] = 0$, $TIMx_CR1[TxEN]$ is set to “1” to enable the timer. The Base Timer is cleared to “0” and restarts when the first raising edge is detected. When the falling edge is detected, the value of $TIMx_CNTR$ is stored into $TIMx_DR$. Meanwhile, the interrupt flag $TIMx_CR1[TxIR]$ is set to “1”, and $TIMx_CNTR$ continues to count. When the second rising edge is detected, the value of $TIMx_CNTR$ is saved into $TIMx_ARR$. The interrupt flag $TIMx_CR1[TxIP]$ is set to “1” and $TIMx_CNTR$ is cleared to “0”. $TIMx_CR0[TxOPM]$ determines whether the timer restarts. If $TIMx_CR0[TxOPM] = 1$, the timer stops; and if $TIMx_CR0[TxOPM] = 0$, it restarts.

An overflow event occurs if Timer3/Timer4 does not detect the second rising edge of the input and $TIMx_CNTR$ reaches 0xFFFF. In this case, the interrupt flag bit $TIMx_CR1[TxIF]$ is set to “1”, and $TIMx_CNTR$ is cleared to “0”. $TIMx_CR0[TxOPM]$ determines whether the timer restarts. If $TIMx_CR0[TxOCM] = 1$, the timer stops counting, and if $TIMx_CR0[TxOPM] = 0$, it restarts.

17.1.6 Timer4 FG Output Mode

Refer to FG Output Generation for details.

17.2 Timer3/Timer4 Registers

17.2.1 $TIMx_CR0(0x9C/0x9E)$ ($x=3/4$)

Bit	7	6	5	4	3	2	1	0
Name	TxPSC			TxOCM	TxIRE	RSV	TxOPM	TxMOD
Type	R/W	R/W	R/W	R/W	R/W	R	R/W	R/W
Reset	0	0	0	0	0	0	0	0

Bit	Name	Description								
[7:5]	TxPSC	<p>Base Timer Clock Prescaler Select Bit It is configured to divide the system clock frequency and generate the clock source for Base Timer. The prescaled clock rates are configured as follows:</p> <table border="0"> <tr> <td>000:0x1 (24MHz)</td> <td>001:0x2 (12MHz)</td> </tr> <tr> <td>010:0x4 (6MHz)</td> <td>011:0x8 (3MHz)</td> </tr> <tr> <td>100:0x10 (1.5MHz)</td> <td>101:0x20 (750kHz)</td> </tr> <tr> <td>110:0x40 (375kHz)</td> <td>111:0x80 (187.5kHz)</td> </tr> </table> <p>Note: In Input Capture Mode of Timer3, the clock rate is 48MHz when the bit is set to “111”.</p>	000:0x1 (24MHz)	001:0x2 (12MHz)	010:0x4 (6MHz)	011:0x8 (3MHz)	100:0x10 (1.5MHz)	101:0x20 (750kHz)	110:0x40 (375kHz)	111:0x80 (187.5kHz)
000:0x1 (24MHz)	001:0x2 (12MHz)									
010:0x4 (6MHz)	011:0x8 (3MHz)									
100:0x10 (1.5MHz)	101:0x20 (750kHz)									
110:0x40 (375kHz)	111:0x80 (187.5kHz)									
[4]	TxOCM	<p>Output Mode: Output Mode Selection 0: Output “0” when $TIMx_CNTR \leq TIMx_DR$; output “1” when $TIMx_CNTR > TIMx_DR$ 1: Output “1” when $TIMx_CNTR \leq TIMx_DR$; output “0” when $TIMx_CNTR > TIMx_DR$</p> <p>Input Capture Mode: Active Edge Select 0: The time between two adjacent raising edges forms one cycle, and the time from rising edge to falling edge forms the pulse width (HIGH). 1: The time between two adjacent falling edges forms one cycle, and the time from falling edge to raising edge forms the pulse width (LOW).</p>								
[3]	TxIRE	<p>Output Mode: CM Interrupt Enable Input Capture Mode: Pulse Width Detection Interrupt Enable 0: Disable 1: Enable</p>								
[2]	RSV	Reserved								
[1]	TxOPM	<p>Single Mode Base Timer stops in any of the following events: Output Mode: Base Timer overflow Input Capture Mode: PWM Cycle Detection or Base Timer overflow 0: Base Timer does not stop 1: Base Timer stops ($TIMx_CR1[TxEN]$ reset to “0”)</p>								
[0]	TxMOD	<p>Working Mode Selection 0: Input Capture Mode 1: Output Mode ($TIMx_DR$ and $TIMx_ARR$ shall be properly configured)</p>								

17.2.2 TIMx_CR1(0x9D/0x9F) (x=3/4)

Bit	7	6	5	4	3	2	1	0
Name	TxIR	TxIP	TxIF	TxIPE	TxIFE	TxINM		TxEN
Type	R/W0	R/W0	R/W0	R/W0	R/W	R/W	R/W	R/W
Reset	0	0	0	0	0	0	0	0
Bit	Name	Description						
[7]	TxIR	<p>Output Mode: Match Interrupt Flag Input Capture Mode: Pulse Width Detection Interrupt Flag Read: 0: No Interrupt Pending 1: Interrupt Pending Write:</p>						

		0: This bit is cleared to “0”. 1: No effect
[6]	TxIP	Output Mode: No effect Input Capture Mode: PWM Cycle Detection Interrupt Flag Read: 0: No Interrupt Pending 1: Interrupt Pending Write: 0: This bit is cleared to “0”. 1: No effect
[5]	TxIF	Output Mode: Base Timer Overflow Interrupt Flag, which is set to “1” when TIMx_CNTR matches TIMx_ARR. Input Capture Mode: Base Timer Overflow Interrupt Flag, which is set to “1” when the Timer has not detected an input PWM cycle but the timer TIMx_CNTR value reaches 0xFFFF. Read: 0: No Interrupt Pending 1: Interrupt Pending Write: 0: This bit is cleared to “0”. 1: No effect
[4]	TxIPE	Output Mode: No effect Input Capture Mode: PWM Cycle Detection Interrupt Enable 0: Disable 1: Enable
[3]	TxIFE	Output Mode: Base Timer Overflow Interrupt Enable Input Capture Mode: Base Timer Overflow Interrupt Enable 0: Disable 1: Enable
[2:1]	TxINM	Input Signal Filtering pulse width Select bit Input signals are filtered as noise if pulse width is less than the defined value. 00: Not to filter signals 01: Filtered on every 4 SYSCLK cycles 10: Filtered on every 8 SYSCLK cycles 11: Filtered on every 16 SYSCLK cycles
[0]	TxEN	Base Timer Enable 0: Disable 1: Enable

17.2.3 TIMx_CNTR(0xA2,0xA3/0x92,0x93) (x=3/4)

TIMx_CNTRH (0xA3/0x93)								
Bit	7	6	5	4	3	2	1	0
Name	TIMx_CNTRH							
Type	R/W	R/W	R/W	R/W	R/W	R/W	R/W	R/W
Reset	0	0	0	0	0	0	0	0
TIMx_CNTRL (0xA2/0x92)								
Bit	7	6	5	4	3	2	1	0
Name	TIMx_CNTRL							
Type	R/W	R/W	R/W	R/W	R/W	R/W	R/W	R/W
Reset	0	0	0	0	0	0	0	0

Bit	Name	Description
[15:0]	TIMx_C NTR	Count values held in Base Timer

17.2.4 TIMx_DR(0xA4,0xA5/0x94,0x95) (x=3/4)

TIMx_DRH (0xA5/0x95)								
Bit	7	6	5	4	3	2	1	0
Name	TIMx_DRH							
Type	R/W	R/W	R/W	R/W	R/W	R/W	R/W	R/W
Reset	0	0	0	0	0	0	0	0
TIMx_DRL (0xA4/0x94)								
Bit	7	6	5	4	3	2	1	0
Name	TIMx_DRL							
Type	R/W	R/W	R/W	R/W	R/W	R/W	R/W	R/W
Reset	0	0	0	0	0	0	0	0
Bit	Name	Description						
[15:0]	TIMx_DR	Output Mode: Compare match values (written by software). Refer to FG Output Generation for details. Input Capture Mode: Count value of the detected input pulse width (written by hardware)						

17.2.5 TIMx_ARR(0xA6,0xA7/0x96,0x97) (x=3/4)

TIMx_ARRH (0xA7/0x97)								
Bit	7	6	5	4	3	2	1	0
Name	TIMx_ARRH							
Type	R/W	R/W	R/W	R/W	R/W	R/W	R/W	R/W
Reset	0	0	0	0	0	0	0	0
TIMx_ARRL (0xA6/0x96)								
Bit	7	6	5	4	3	2	1	0
Name	TIMx_ARRL							
Type	R/W	R/W	R/W	R/W	R/W	R/W	R/W	R/W
Reset	0	0	0	0	0	0	0	0
Bit	Name	Description						
[15:0]	TIMx_A RR	Output Mode: Reload value (written by hardware). Refer to FG Output Generation for details. Input Capture Mode: Count value of a detected PWM cycle (written by hardware)						

18 Systick

18.1 Systick Instructions

The chip can generate Systick interrupts at a fixed interval, and the interrupt cycle is controlled by SYST_ARR. Systick interrupt is enabled when DRV_SR[SYSTIE] is set to “1”, and the interrupts are accessed by P10.

18.2 Systick Registers

18.2.1 DRV_SR(0x4061)

Bit	7	6	5	4	3	2	1	0
Name	SYSTIF	SYSTIE	FGIF	DCIF	FGIE	DCIP	DCIM1	DCIM0
Type	R/W0	R/W	R/W0	R/W0	R/W	R/W	R/W	R/W
Reset	0	0	0	0	0	0	0	0
Bit	Name	Description						
[7]	SYSTIF	Systick Interrupt Flag Read: 0: No Interrupt Pending 1: Interrupt Pending Write: 0: This bit is cleared to “0”. 1: No effect						
[6]	SYSTIE	Systick Interrupt Enable 0: Disable 1: Enable						
[5]	FGIF	FG Interrupt Flag When FOC Drive/ Square Wave Drive is enabled, an FGIF Interrupt is generated in each rotation cycle (electrical cycle). Read: 0: No Interrupt Pending 1: Interrupt Pending Write: 0: This bit is cleared to “0”. 1: No effect						
[4]	DCIF	Driver Match Interrupt Flag When the Driver counter value is equal to DRV_COMR, the system decides whether to generate an interrupt according to the counting direction set by DRV_SR[DCIM]. Read: 0: No Interrupt Pending 1: Interrupt Pending Write: 0: This bit is cleared to “0”. 1: No effect						
[3]	FGIE	FG Interrupt Enable When FOC Drive/ Square Wave Drive is enabled, an FG Interrupt is generated in each rotation cycle (electrical cycle). 0: Disable 1: Enable						
[2]	DCIP	Number of PWM cycles required to generate a Driver Match Interrupt 0: 1 interrupt in 1 PWM cycle 1: 1 interrupt in 2 PWM cycles						

[1:0]	DCIM	<p>Driver Match Interrupt Mode Select bit</p> <p>The system decides whether to generate an interrupt according to DRV_SR[DCIM] when Driver counter value is equal to DRV_COMR value.</p> <p>00: No interrupt is generated.</p> <p>01: An interrupt is generated when the counter counts up</p> <p>10: An interrupt is generated when the counter counts down</p> <p>11: An interrupt is generated when the counter counts up/down</p>
-------	------	---

18.2.2 SYST_ARR(0x4064,0x4065)

SYST_ARRH (0x4064)								
Bit	7	6	5	4	3	2	1	0
Name	SYST_ARR [15:8]							
Type	R/W	R/W	R/W	R/W	R/W	R/W	R/W	R/W
Reset	0	1	0	1	1	1	0	1
SYST_ARRL (0x4065)								
Bit	7	6	5	4	3	2	1	0
Name	SYST_ARR [7:0]							
Type	R/W	R/W	R/W	R/W	R/W	R/W	R/W	R/W
Reset	1	0	1	1	1	1	1	1
Bit	Name	Description						
[15:0]	SYST_ARR	<p>Systick Reloaded Value</p> <p>This bit determines the cycle at which Systick interrupts are generated, which defaults to 1ms.</p> <p>Calculation formula is as follows: Systick interrupt rate = $24M/(SYST_ARR+1)$</p> <p>Range [0,65535]</p>						

19 Driver

19.1 Driver Instructions

19.1.1 Driver Introduction

The chip has built-in pre-driver output.

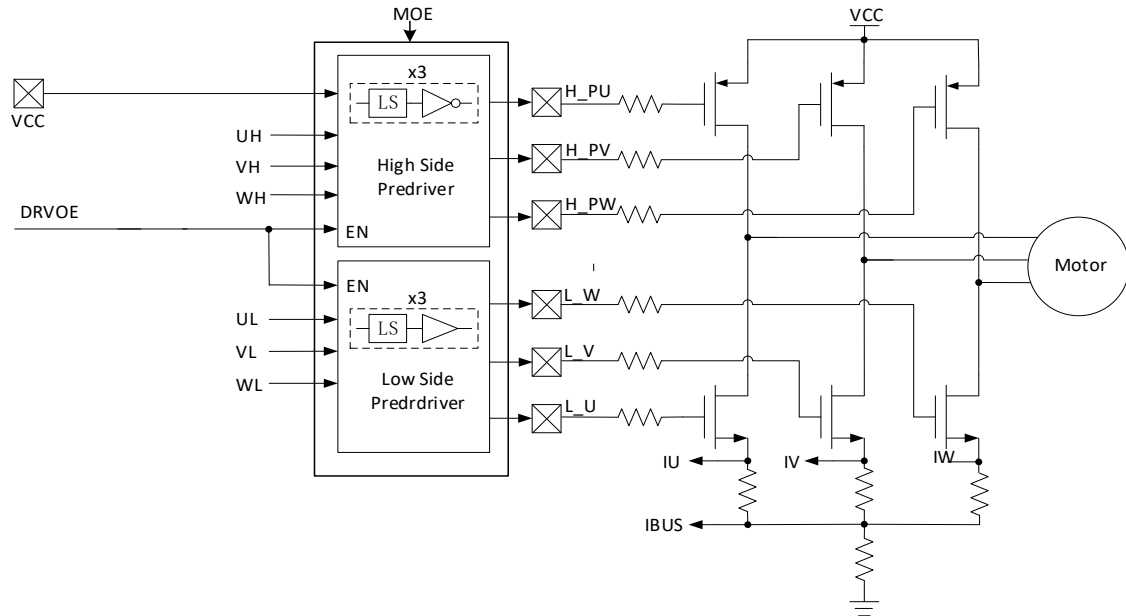


Figure 19-1 Block Diagram of Pre-driver Module

3P3N Pre-driver module is shown as above. UH/VH/WH and UL/VL/WL, the 3-phase PWM signal, are the input signals. H_PU/H_PV/H_PW and L_U/L_V/L_W are the output signals. H_PU/H_PV/H_PW are reversely related to UH/VH/WH. DRV_CR[DRVOE] is the enable bit, and DRV_OUT[MOE] is the output enable bit.

Pre-driver module is enabled when DRV_CR[DRVOE] is set to “1”. UH/VH/WH are reversely and sent to H_PU/H_PV/H_PW for driving gate of PMOS. UL/VL/WL are sent to L_U/L_V/L_W for driving gate of NMOS. PMOS and NMOS output voltages to drive motors.

19.1.2 Output Control Module

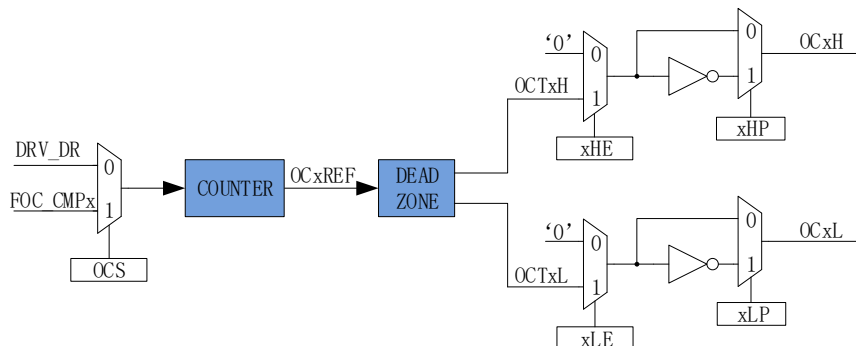


Figure 19-2 Block Diagram of Output Control Module

Before Driver module works, DRV_CR[MESEL] is set to “1” to select FOC mode or to “0” to select

square-wave control mode.

If $DRV_CR[OCS] = 0$, comparison value of PWM comes from DRV_DR , and reference source of the output PWM signal is $OCTxH$. When $OCxH$ and $OCxL$ output at the same time, $OCTxL$ outputs reverse signal. If $DRV_CR[OCS]=1$, comparison value of PWM comes from FOC, and reference source of the output PWM signal is $OCTxL$. When $OCxH$ and $OCxL$ output at the same time, $OCTxH$ outputs reverse signal.

19.1.2.1 Count and Compare Module

$DRV_CR[OCS]$ is configured to select the comparison value of PWM from $FOC_CMPU/V/W$ of FOC module or DRV_DR set by software. The comparison value is sent to the counter for comparison to obtain the 3-phase original PWM signal $OCxREF$, and DRV_DR is used for motor pre-charging, braking and square-wave control. If DRV_CNTR is smaller than the comparison value, $OCxREF$ outputs high-level signal, and if DRV_CNTR is larger than DRV_DR , $OCxREF$ outputs low-level signal.

When $DRV_CR[OCS] = 1$, $FOC_CMPU/V/W$ is compared with the count value to generate the duty cycle $OC1REF/OC2REF/OC3REF$.

When $DRV_CR[OCS] = 0$, DRV_DR set by software is compared with the count value to generate $OC1REF/OC2REF/OC3REF$ with the same duty cycle. Duty cycle = $DRV_DR/DRV_ARR*100\%$.

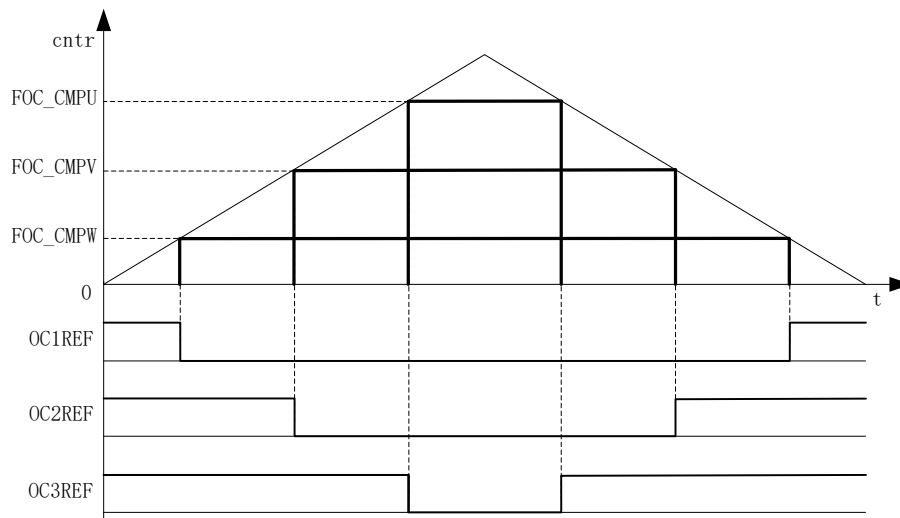


Figure 19-3 PWM Generation

19.1.2.2 Deadtime Module

$OCxREF$ has hardware deadtime insertion. For complementary outputs, the deadtime insertion is enabled when DRV_DTR is not "0". Each channel has an 8-bit deadtime generator, and three channels have the same dead time, which is set by DRV_DTR . In the rising edge of $OCxREF$, the delay time for $OCxL$ to generate high-level output is the one set by DRV_DTR . In the falling edge of $OCxREF$, the delay time for $OCxH$ to generate high-level output is the one set by DRV_DTR . If the delayed time is greater than the output pulse width, the associated channel pulse width is not delayed.

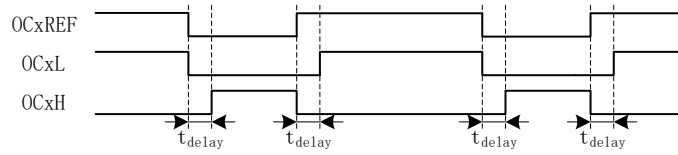


Figure 19-4 Complementary Outputs with Deadtime Insertion

19.1.2.3 Enable and Polarity of Output Signals

DRV_CM[xHE] and [xLE] are configured by software to enable high and low sides of the bridge, and DRV_CM[xHP] and [xLP] to select the polarity of output. For square-wave control, Timer1 automatically controls DRV_CM to implement phase commutation. Configuring DRV_CR[MESEL] = 0 enables the Square Wave Drive Mode. After Timer1 generates a write timing, the data stored in the corresponding TIM1_DBRx are transferred to DRV_CM register and CMP_CR2[4:3].

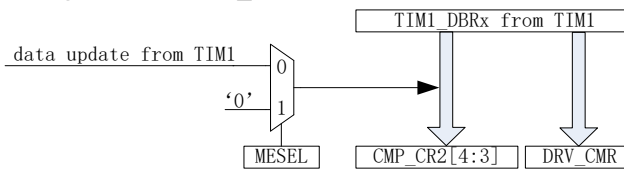


Figure 19-5 Timer1 Automatic Control of DRV_CM and CMP_CR2[4:3]

DRV_DR, DRV_ARR and DRV_CM can be configured to implement pre-charging brake, etc. DRV_DR and DRV_ARR control the duty cycle and frequency of PWM. DRV_CM[xHE] and DRV_CM[xLE] control the output modes.

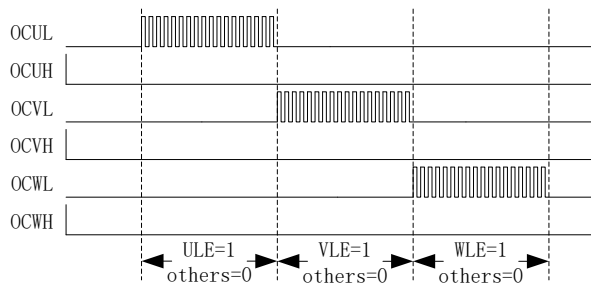


Figure 19-6 Pre-charge Waveform

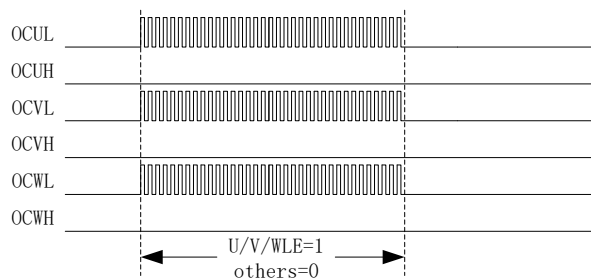


Figure 19-7 Brake Waveform

19.1.2.4 MOE

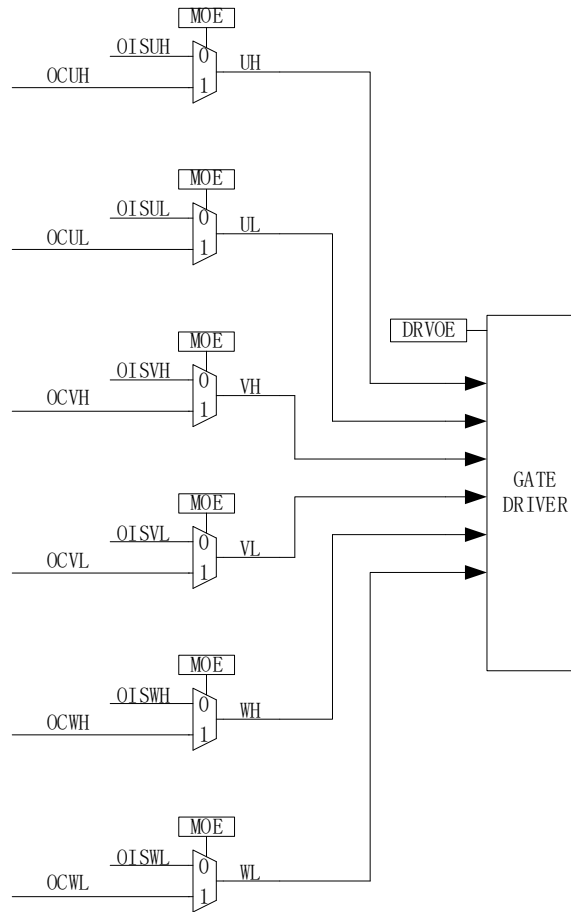


Figure 19-8 Block Diagram of Rear Stage of Output Control Module

When DRV_OUT[MOE] is enabled, PWM waveform is generated for motor driving. When DRV_OUT[MOE] is disabled, the idle level set by software is output to stop motor driving.

19.1.2.5 Interrupt

19.1.2.5.1 Compare Match Interrupt

The generation conditions and time for compare match interrupt are configured by DRV_SR[DCIM] and DRV_COMR respectively. When the counter reaches the value set in DRV_COMR and the conditions set by DRV_SR[DCIM] are met, a compare match interrupt is generated and the interrupt flag DRV_SR[DCIF] is set to “1” by hardware.

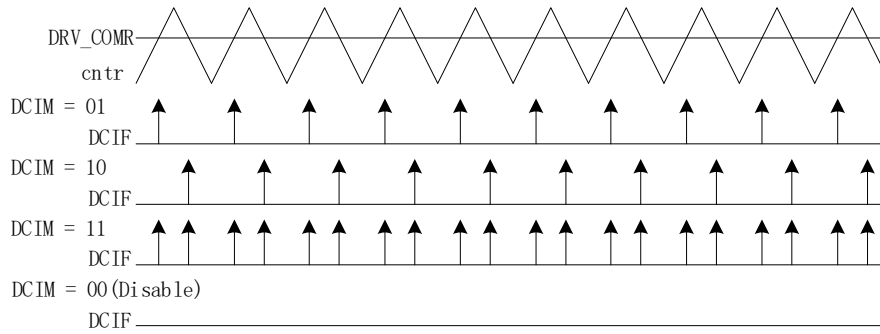


Figure 19-9 Driver Compare-Match Interrupt

19.1.2.5.2 FG Interrupt

FG interrupt is enabled when DRV_SR[FGIE] is set to “1”. The motor generates an interrupt for every electrical cycle.

19.2 Driver Registers

19.2.1 DRV_CR (0x4062)

Bit	7	6	5	4	3	2	1	0
Name	DRVEN	DDIR	FOCEN	DRPE	OCS	MESEL	RSV	DRVOE
Type	R/W	R/W	R/W	R/W	R/W	R/W	R	R/W
Reset	0	0	0	0	0	0	0	0
Bit	Name	Description						
[7]	DRVEN	Counter Enable 0: Disable 1: Enable						
[6]	DDIR	Output Direction (Forward/Reverse) Switch motor rotation directions; Valid in both square-wave drive and FOC drive modes. In sensorless FOC mode, setting this bit changes motor rotation. In Hall-sensored FOC mode, it is also required to modify the angle by the software. In square-wave control mode, parameters related to Timer1 shall be configured. 0: Forward 1: Reverse						
[5]	FOCEN	FOC Module Enable bit 0: Disable 1: Enable						
[4]	DRPE	DRV_DR Pre-load Enable When preload is enabled, the data written to DRV_DR is updated after a counter underflow event occurs. When preload is disabled, the data written to DRV_DR is updated immediately. 0: Disable 1: Enable						
[3]	OCS	Comparison Source Selection 0: DRV_DR 1: FOC Module						
[2]	MESEL							

		ME Operating Mode Select Bit 0: Square wave drive 1: FOC drive
[1]	RSV	Reserved
[0]	DRVOE	Driver Enable Bit 0: Disable 1: Enable

19.2.2 DRV_SR(0x4061)

Bit	7	6	5	4	3	2	1	0
Name	SYSTIF	SYSTIE	FGIF	DCIF	FGIE	DCIP	DCIM1	DCIM0
Type	R/W0	R/W	R/W0	R/W0	R/W	R/W	R/W	R/W
Reset	0	0	0	0	0	0	0	0
Bit	Name	Description						
[7]	SYSTIF	Systick Interrupt Flag Read: 0: No Interrupt Pending 1: Interrupt Pending Write: 0: This bit is cleared to "0". 1: No effect						
[6]	SYSTIE	Systick Interrupt Enable 0: Disable 1: Enable						
[5]	FGIF	FG Interrupt Flag 0: No Interrupt Pending 1: Interrupt Pending Write: 0: This bit is cleared to "0". 1: No effect						
[4]	DCIF	Driver Match Interrupt Flag When the Driver count value is equal to DRV_COMR, the system decides whether to generate an interrupt according to DRV_SR[DCIM]. 0: No Interrupt Pending 1: Interrupt Pending Write: 0: This bit is cleared to "0". 1: No effect						
[3]	FGIE	FG Interrupt Enable After the interrupt feature is enabled, an FG Interrupt is generated in each electric cycle under FOC/square-wave control mode. 0: Disable 1: Enable						
[2]	DCIP	Number of PWM cycles to generate a Compare Match Interrupt 0: 1 PWM cycle 1: 2 PWM cycles						
[1:0]	DCIM	Compare Match Interrupt Mode Select bit When the Driver count value is equal to DRV_COMR, The system decides whether to generate an interrupt according to DRV_SR[DCIM].						

	00: No interrupt is generated. 01: An interrupt is generated when the counter counts up. 10: An interrupt is generated when the counter counts down. 11: An interrupt is generated when the counter counts up/down.
--	--

19.2.3 DRV_OUT (0xF8)

Bit	7	6	5	4	3	2	1	0
Name	MOE	RSV	OISWL	OISWH	OISVL	OISVH	OISUL	OISUH
Type	R/W	R	R/W	R/W	R/W	R/W	R/W	R/W
Reset	0	0	0	0	0	0	0	0
Bit	Name	Description						
[7]	MOE	Main Output Enable Bit This bit selects the sources for high and low sides of the bridge of 3-phase output signals. It can be set to “1” and “0” by software. When bus current protection occurs, it is automatically cleared to “0” to turn off the output (see section 29.1.1.1). 0: Disabled, with output sourced from the idle levels set by DRV_OUT[OISUH]/DRV_OUT[OISVH]/DRV_OUT[OISWH] and DRV_OUT[OISUL]/DRV_OUT[OISVL]/DRV_OUT[OISWL]. 1: Enabled, with output sourced from the comparison value of the timer.						
[6]	RSV	Reserved						
[5]	OISWL	Output idle level of WL Refer to the descriptions on OISUH						
[4]	OISWH	Output idle level of WH Refer to the descriptions on OISUH						
[3]	OISVL	Output idle level of VL Refer to the descriptions on OISUH						
[2]	OISVH	Output idle level of VH Refer to the descriptions on OISUH						
[1]	OISUL	Output idle level of UL Refer to the descriptions on OISUH						
[0]	OISUH	Output idle level of UH This bit sets the UH output in IDLE state. When DRV_OUT[MOE] = 0, it outputs idle level to disable MOS. 0: Low 1: High						

19.2.4 DRV_CMRL(0x405C, 0x405D)

DRV_CMRL (0x405C)								
Bit	7	6	5	4	3	2	1	0
Name	RSV				WHP	WLP	VHP	VLP
Type	R	R	R	R	R/W	R/W	R/W	R/W
Reset	0	0	0	0	0	0	0	0
DRV_CMRL (0x405D)								
Bit	7	6	5	4	3	2	1	0
Name	UHP	ULP	WHE	WLE	VHE	VLE	UHE	ULE
Type	R/W	R/W	R/W	R/W	R/W	R/W	R/W	R/W
Reset	0	0	0	0	0	0	0	0
Bit	Name	Description						

[15:12]	RSV	Reserved
[11]	WHP	High-side Polarity Control of W-phase 0: Active High 1: Active Low
[10]	WLP	Low-side Polarity Control of W-phase 0: Active High 1: Active Low
[9]	VHP	High-side Polarity Control of V-phase 0: Active High 1: Active Low
[8]	VLP	Low-side Polarity Control of V-phase 0: Active High 1: Active Low
[7]	UHP	High-side Polarity Control of U-phase 0: Active High 1: Active Low
[6]	ULP	Low-side Polarity Control of U-phase 0: Active High 1: Active Low
[5]	WHE	High-side Output Enable of W-phase 0: Disable 1: Enable
[4]	WLE	Low-side Output Enable of W-phase 0: Disable 1: Enable
[3]	VHE	High-side Output Enable of V-phase 0: Disable 1: Enable
[2]	VLE	Low-side Output Enable of V-phase 0: Disable 1: Enable
[1]	UHE	High-side Output Enable of U-phase 0: Disable 1: Enable
[0]	ULE	Low-side Output Enable of U-phase 0: Disable 1: Enable

Notes:

- When DRV_CM[R][W/V/ULE] and DRV_CM[R][W/V/UHE] are set to “1”, high-side and low-side

outputs of W/V/U-phases are complementary to generate PWM signals with deadtime insertion. Low side output is the reference polarity.

- For square-wave control, Timer1 automatically controls DRV_CMRR register.

19.2.5 DRV_ARR(0x405E,0x405F)

DRV_ARRH (0x405E)								
Bit	7	6	5	4	3	2	1	0
Name	RSV		DRV_ARR[13:8]					
Type	R	R	R/W	R/W	R/W	R/W	R/W	R/W
Reset	0	0	0	0	0	0	0	0
DRV_ARRL (0x405F)								
Bit	7	6	5	4	3	2	1	0
Name	DRV_ARR[7:0]							
Type	R/W	R/W	R/W	R/W	R/W	R/W	R/W	R/W
Reset	0	0	0	0	0	0	0	0
Bit	Name	Description						
[15:14]	RSV	Reserved						
[13:0]	DRV_ARR	Counter reload value, which determines PWM frequency (center-aligned) Driver counter up-counts from 0 to DRV_ARR/2 - 1 and an overflow event occurs. Then it down-counts to 0. Calculation formula: $f_{carrier} = 48\text{MHz}/\text{DRV_ARR}$ DRV_ARR value is calculated using 48MHz clock rate, which falls within the range [0,16383]. Note: The LSB is always 0, and a write of "1" is meaningless.						

19.2.6 DRV_COMR(0x405A,0x405B)

DRV_COMRH (0x405A)								
Bit	7	6	5	4	3	2	1	0
Name	RSV				DRV_COMR[11:8]			
Type	R	R	R	R	R/W	R/W	R/W	R/W
Reset	0	0	0	0	0	0	0	0
DRV_COMRL (0x405B)								
Bit	7	6	5	4	3	2	1	0
Name	DRV_COMR[7:0]							
Type	R/W	R/W	R/W	R/W	R/W	R/W	R/W	R/W
Reset	0	0	0	0	0	0	0	0
Bit	Name	Description						
[15:12]	RSV	Reserved						
[11:0]	DRV_COMR	Counter compare-match value The compare match interrupt is generated when the count value is equal to DRV_COMR and the conditions set in DRV_SR[DCIM] are met. The clock rate for the calculation is 12MHz. Duty cycle at the match point = $\text{DRV_COMR} * 4 / \text{DRV_ARR} * 100\%$ The DRV_COMR value is calculated using 12MHz clock rate, which falls within the range [0,4095].						

19.2.7 DRV_DR(0x4058,0x4059)

DRV_DRH (0x4058)								
Bit	7	6	5	4	3	2	1	0
Name	RSV		DRV_DR[13:8]					
Type	R	R	R/W	R/W	R/W	R/W	R/W	R/W
Reset	0	0	0	0	0	0	0	0
DRV_DRL (0x4059)								
Bit	7	6	5	4	3	2	1	0
Name	DRV_DR[7:0]							
Type	R/W	R/W	R/W	R/W	R/W	R/W	R/W	R/W
Reset	0	0	0	0	0	0	0	0
Bit	Name	Description						
[15:14]	RSV	Reserved						
[13:0]	DRV_DR	PWM duty cycle setting in software Duty cycle = $DRV_DR/DRV_ARR*100\%$ DRV_DR value is calculated using 48MHz clock rate, which falls within the range [0,16383]. Note: When this register is used as a comparison source, PWM is referenced to high side of the bridge and a deadtime is inserted in the complementary output of the low side of bridge.						

19.2.8 DRV_DTR(0x4060)

Bit	7	6	5	4	3	2	1	0
Name	DRV_DTR							
Type	R/W	R/W	R/W	R/W	R/W	R/W	R/W	R/W
Reset	0	0	0	0	0	0	0	0
Bit	Name	Description						
[7:0]	DRV_DTR	Deadtime Setting Deadtime = $(DRV_DTR + 1)*T$ Example: If DRV_DTR is configured to "11", the deadtime = $12*41.67ns = 500ns$. Note: If DRV_DTR is configured to "0", deadtime insertion is disabled.						

19.2.9 DRV_CNTR(0x4066,0x4067)

DRV_CNTRH (0x4066)								
Bit	7	6	5	4	3	2	1	0
Name	RSV				DRV_CNTR[11:8]			
Type	R	R	R	R	R/W	R/W	R/W	R/W
Reset	0	0	0	0	0	0	0	0
DRV_CNTRL (0x4067)								
Bit	7	6	5	4	3	2	1	0
Name	DRV_CNTR[7:0]							
Type	R/W	R/W	R/W	R/W	R/W	R/W	R/W	R/W
Reset	0	0	0	0	0	0	0	0
Bit	Name	Description						

[15:12]	RSV	Reserved
[11:0]	DRV_CNTR	Count Value of Counter The clock rate for the calculation is 12MHz, and Driver duty cycle = $DRV_CNTR * 4 / DRV_ARR * 100\%$ Range [0, 4095]

20 WDT

The watchdog timer (WDT) is a timer that works on the internal slow clock to monitor the master program operation and prevent the MCU running out. Watchdog works as follows: After watchdog operates, WDT starts counting. When WDT overflows, watchdog sends a signal to reset the MCU and the program restarts running from address 0. During the operation of master program, WDT has to be initialized at regular intervals to prevent WDT overflowing.

After being enabled, WDT starts counting from 0. When it reaches 0xFFFC, watchdog outputs a signal that is 4 internal slow clock cycles wide to reset MCU, and the program starts running from address 0. WDT has to be initialized at regular intervals during operation, and WDT rolls over to WDT_ARR and restart counting.

20.1 WDT Notes

- When MCU enters standby or sleep mode, WDT stops counting, but the count values are retained.
- WDT is automatically disabled during emulation.
- RST_SR[RSTWDT] is set to “1” when MCU is reset by WDT counter overflow.

20.2 WDT Operations

1. Set CCFG1[WDT_EN] = 1 to start WDT, which then starts counting from 0;
2. Set WDT_ARR (this operation can also be performed before starting WDT);
3. Set WDT_CR[WDTRF] = 1 in the running of program, and WDT rolls over to WDT_ARR setting.

20.3 WDT Registers

20.3.1 WDT_CR (0x4026)

Bit	7	6	5	4	3	2	1	0
Name	RSV							WDTRF
Type	R	R	R	R	R	R	R	R/W
Reset	0	0	0	0	0	0	0	0
Bit	Name	Description						
[7:1]	RSV	Reserved						
[0]	WDTRF	WDT Initialization 0: No effect 1: WDT rolls over to WDT_ARR setting and restarts counting.						

20.3.2 WDT_ARR (0x4027)

Bit	7	6	5	4	3	2	1	0
Name	WDT_ARR							
Type	R/W	R/W	R/W	R/W	R/W	R/W	R/W	R/W
Reset	0	0	0	0	0	0	0	0
Bit	Name	Description						
[7:0]	WDT_ARR	WDT Reload Timer This bit sets 8 high-order bits of the initialized value of WDT.						

20.3.3 CCFG1 (0x401E)

Bit	7	6	5	4	3	2	1	0
Name	RSV	LVWIE	WDT_EN	RSV				
Type	R/W	R/W	R/W	R/W	R/W	R/W	R/W	R
Reset	0	0	0	0	0	0	0	0
Bit Name Description								
[7]	RSV	Reserved						
[6]	LVWIE	LVW Detection Interrupt Enable 0: Disable 1: Enable						
[5]	WDT_EN	WDT Enable 0: Disable 1: Enable						
[4:0]	RSV	Reserved						

21 RTC

21.1 RTC Functional Block Diagram

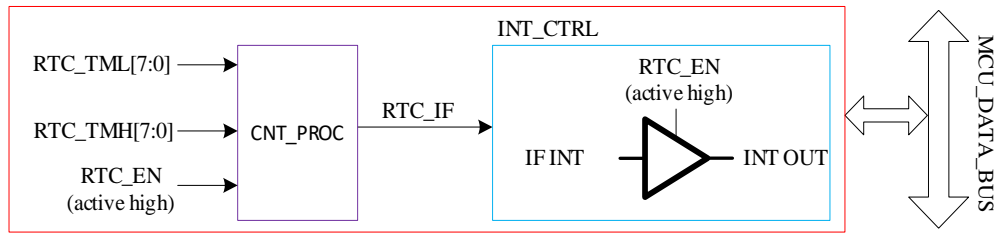


Figure 21-1 RTC Functional Block Diagram

21.2 RTC Operations

A write to RTC_TM sets RTC reload value.

RTC is enabled when RTC_STA[RTC_EN] is set to “1”.

21.3 RTC Registers

21.3.1 RTC_TM (0x402C, 0x402D)

RTC_TMH (0x402C)								
Bit	7	6	5	4	3	2	1	0
Name	RTC_TMH							
Type	R/W	R/W	R/W	R/W	R/W	R/W	R/W	R/W
Reset	1	1	1	1	1	1	1	1
RTC_TML (0x402D)								
Bit	7	6	5	4	3	2	1	0
Name	RTC_TML							
Type	R/W	R/W	R/W	R/W	R/W	R/W	R/W	R/W
Reset	1	1	1	1	1	1	1	1
Bit	Name	Description						
[15:0]	RTC_TM	RTC Count Register Read: Instantaneous value of counter Write: RTC counter up-counts at a rate of 32768Hz from 0 to the written value and becomes overflowed. Meanwhile, an interrupt request is generated, causing the timer to be cleared and restart counting.						

21.3.2 RTC_STA (0x402E)

Bit	7	6	5	4	3	2	1	0
Name	RTC_EN	RTC_IF	RSV	ISOSCEN	RSV			
Type	R/W	R/W	R/W	R/W	R	R	R	R
Reset	0	0	0	0	0	0	0	0
Bit	Name	Description						
7	RTC_EN	RTC Enable 0: Disable 1: Enable						
6	RTC_IF	RTC Interrupt Flag This bit is set to “1” when the counter value matches RTC_TM setting. Read:						

		0: No Interrupt Pending 1: Interrupt Pending Write: 0: This bit is cleared to "0". 1: No effect
5	RSV	Reserved
4	ISOSCEN	Internal Slow Clock Enable 0: Disable 1: Enable
[3:0]	RSV	Reserved

21.4 Clock Calibration

21.4.1 Introduction

Clock calibration is a feature that uses internal slow clock to calibrate the internal fast clock. Working principles: A 12-bit counter is used to count the length of 4 slow clock cycles with the fast clock as the clock source.

Calibration operations: Set CAL_CR0[*CAL_STA*] = 1 to start the calibration. Read CAL_CR0[*CAL_BUSY*] in software to check whether the calibration is finished. When the calibration is completed (CAL_CR0[*CAL_BUSY*] = 0), the readout of CAL_CR0[*CAL_ARR*] is the value of the length of counting 4 slow clock cycles.

21.4.2 Clock Calibration Registers

21.4.2.1 CAL_CR0 (0x4044) CAL_CR1 (0x4045)

CAL_CR0 (0x4044)								
Bit	7	6	5	4	3	2	1	0
Name	CAL_STA /CAL_BUSY	RSV			CAL_ARR[11:8]			
Type	R/W	R	R	R	R/W	R/W	R/W	R/W
Reset	1	0	0	0	0	0	0	0
CAL_CR1 (0x4045)								
Bit	7	6	5	4	3	2	1	0
Name	CAL_ARR[7:0]							
Type	R/W	R/W	R/W	R/W	R/W	R/W	R/W	R/W
Reset	0	0	0	0	0	0	0	0
Bit	Name	Description						
[15]	CAL_STA /CAL_BUSY	Clock Calibration Enable Read: 0: Calibration is completed. 1: Calibration is in progress. Write: 0: No effect 1: Clock Calibration starts.						
[14:12]	RSV	Reserved						
[11:0]	CAL_ARR	Calibration Counts The count values of the fast clock to continuously count four slow clock cycles						

		<p>Note: When this value is 0, it indicates that no corresponding slow clock input, and when this value is 0xFFFF, it indicates that a count overflows (slow clock is too slow or fast clock is too fast).</p>
--	--	--

22 IO

22.1 IO Introduction

The chip has up to 35 GPIO pins: P0.0 ~ P0.7, P1.0 ~ P1.7, P2.0 ~ P2.7, P3.0 ~ P3.7, P4.2 and P4.4 ~ P4.5. Each GPIO has related configuration registers to meet different application requirements.

22.2 IO Instructions

- P0.0 ~ P0.7, P1.0 ~ P1.7, P2.0 ~ P2.7, P3.0 ~ P3.7, P4.2 and P4.4 ~ P4.5 are mapped to registers P0, P1, P2, P3, P4 respectively.
- Registers P0_OE, P1_OE, P2_OE, P3_OE and P4_OE are used to configure the digital inputs and outputs of P0.0 ~ P3.7, P4.2 and P4.4 ~ P4.5. When the port is configured as input, Schmitt-trigger input is enabled.
- Configure corresponding bits of registers P0_PU, P1_PU, P2_PU, P3_PU, and P4_PU to 1, the Pull-up Resistors of P0.0 ~ P3.7, P4.2 and P4.4 ~ P4.5 can be enabled; wherein, the Pull-up Resistors of P0.0 ~ P0.2, P1.3 ~ P1.6, P2.1 and P3.6 ~ P3.7 are about 5.6kΩ, and those of other ports are about 33kΩ.
- P1.1/P0.1 can be used to enable pull-down resistance (10kΩ) that is set by P3_AN[7:6].
- When IO digital output is 0, the Pull-up Resistor is automatically disabled.
- P0.0 ~ P0.6 can be configured as INT0 input, and P1.0 ~ P2.7 can be configured as INT1 input. Both INT0 and INT1 can be configured as interrupt on rising edge, interrupt on falling edge or interrupt on level change.
- By setting the corresponding bits of registers P1_AN, P2_AN and P3_AN to 1, P1.3 ~ P1.7, P2.0 ~ P2.7 and P3.0 ~ P3.5 can be configured as analog signal input. When the port pins are configured as analog input pins, all digital features are disabled and the port status becomes 0 by reading corresponding bits in registers P1, P2 and P3.
- Pull-up Resistors of P1.6 ~ P1.7, P2.0 ~ P2.7 and P3.0 ~ P3.5 are automatically disabled when the port pins are configured as analog signal input pins. The pull-up resistors of P1.3 ~ P1.5 can be enabled or disabled according to the actual application requirements.
- IO priority:
 - For all multiplexed ports, GPIO pins have the lowest priority.
 - P0.0: I2C > TIMER4 > LIN > UART > GPIO
 - P0.1: I2C > TIMER4 > TIMER3 > DBG_SIG > LIN > UART > GPIO
 - P0.5: SPI > UART > GPIO
 - P0.6: SPI > UART > GPIO
 - P0.7: TIMER2 > CMP > SPI > GPIO

22.3 IO Registers

22.3.1 P0_OE (0xFC)

Bit	7	6	5	4	3	2	1	0
Name	P0_OE							
Type	R/W	R/W	R/W	R/W	R/W	R/W	R/W	R/W
Reset	0	0	0	0	0	0	0	0
Bit	Name	Description						
[7:0]	P0_OE	P0.0 ~ P0.7 Digital I/O Select bit 0: Input 1: Output						

22.3.2 P1_OE (0xFD)

Bit	7	6	5	4	3	2	1	0
Name	P1_OE							
Type	R/W	R/W	R/W	R/W	R/W	R/W	R/W	R/W
Reset	0	0	0	0	0	0	0	0
Bit	Name	Description						
[7:0]	P1_OE	P1.0 ~ P1.7 Digital I/O Select bit 0: Input 1: Output						

22.3.3 P2_OE (0xFE)

Bit	7	6	5	4	3	2	1	0
Name	P2_OE							
Type	R/W	R/W	R/W	R/W	R/W	R/W	R/W	R/W
Reset	0	0	0	0	0	0	0	0
Bit	Name	Description						
[7:0]	P2_OE	P2.0 ~ P2.7 Digital I/O Select Bit 0: Input 1: Output						

22.3.4 P3_OE (0xFF)

Bit	7	6	5	4	3	2	1	0
Name	P3_OE							
Type	R/W	R/W	R/W	R/W	R/W	R/W	R/W	R/W
Reset	0	0	0	0	0	0	0	0
Bit	Name	Description						
[7:0]	P3_OE	P3.0 ~ P3.7 Digital I/O Select Bit 0: Input 1: Output						

22.3.5 P4_OE (0xE9)

Bit	7	6	5	4	3	2	1	0
-----	---	---	---	---	---	---	---	---

Name	RSV		P4_OE[5]	P4_OE[4]	RSV	P4_OE[2]	RSV	RSV
Type	R	R	R/W	R/W	R/W	R/W	R	R
Reset	0	0	0	0	0	0	0	0
Bit								
Name								
Description								
[7:6]	RSV		Reserved					
[5:4]	P4_OE		P4.4 ~ P4.5 Digital I/O Select Bit 0: Input 1: Output					
[3]	RSV		Reserved					
[2]	P4_OE		P4.2 Digital I/O Select Bit 0: Input 1: Output					
[1:0]	RSV		Reserved					

22.3.6 P1_AN (0x4050)

Bit	7	6	5	4	3	2	1	0
Name	P1_AN				HBMOD	RSV	ODE1	ODE0
Type	R/W	R/W	R/W	R/W	R/W	R	R/W	R/W
Reset	0	0	0	0	0	0	0	0
Bit								
Name								
Description								
[7:4]	P1_AN		P1.4 ~ P1.7 Analog Mode Enable 0: Disable 1: Enable					
[3]	HBMOD	P1.3 mode configuration, which determines the functional mode of P1.3 in combination with P1_OE[3], as shown in the table below. Table 22-1 P1.3 Mode Setting						
		HBMOD	P1_OE[3]	P1.3 Pin Mode				
		0	0	Digital input				
		0	1	Digital output				
		1	0	Analog mode				
		1	1	Digital enhanced drive output mode. The maximum output current of high level output can be up to 20mA for Hall bias power supply. The drive mode of low level output is the same as that of digital output mode.				
[2]	RSV		Reserved					
[1]	ODE1		P0.1 Collector Open-Drain Output Enable 0: Disable 1: Enable					
[0]	ODE0		P0.0 Collector Open-Drain Output Enable 0: Disable 1: Enable					

22.3.7 P2_AN (0x4051)

Bit	7	6	5	4	3	2	1	0
Name	P2_AN							
Type	R/W	R/W	R/W	R/W	R/W	R/W	R/W	R/W
Reset	0	0	0	0	0	0	0	0

Bit	Name	Description
[7:0]	P2_AN	P2.0 ~ P2.7 Analog Mode Enable 0: Disable 1: Enable

22.3.8 P3_AN (0x4052)

Bit	7	6	5	4	3	2	1	0
Name	P11_PL	P01_PL	P3_AN					
Type	R/W	R/W	R/W	R/W	R/W	R/W	R/W	R/W
Reset	0	0	0	0	0	0	0	0
Bit	Name	Description						
[7]	P11_PL	P1.1 Pull-Down Resistor Enable 0: Disable 1: Enable Note: The Pull-up Resistor and pull-down resistor of P1.1 pin cannot be enabled at the same time.						
[6]	P01_PL	P0.1 Pull-Down Resistor Enable 0: Disable 1: Enable Note: The Pull-up Resistor and pull-down resistor of P0.1 pin cannot be enabled at the same time.						
[5:0]	P3_AN	P3.0 ~ P3.5 Analog Mode Enable 0: Disable 1: Enable						

22.3.9 P0_PU (0x4053)

Bit	7	6	5	4	3	2	1	0
Name	P0_PU							
Type	R/W	R/W	R/W	R/W	R/W	R/W	R/W	R/W
Reset	0	0	0	0	0	0	0	0
Bit	Name	Description						
[7:0]	P0_PU	P0.0 ~ P0.7 Pull-up Resistor Enable 0: Disable 1: Enable						

22.3.10 P1_PU (0x4054)

Bit	7	6	5	4	3	2	1	0
Name	P1_PU							
Type	R/W	R/W	R/W	R/W	R/W	R/W	R/W	R/W
Reset	0	0	0	0	0	0	0	0
Bit	Name	Description						
[7:0]	P1_PU	P1.0 ~ P1.7 Pull-up Resistor Enable 0: Disable 1: Enable						

22.3.11 P2_PU (0x4055)

Bit	7	6	5	4	3	2	1	0
Name	P2_PU							
Type	R/W	R/W	R/W	R/W	R/W	R/W	R/W	R/W
Reset	0	0	0	0	0	0	0	0
Bit	Name	Description						
[7:0]	P2_PU	P2.0 ~ P2.7 Pull-up Resistor Enable 0: Disable 1: Enable						

22.3.12 P3_PU (0x4056)

Bit	7	6	5	4	3	2	1	0
Name	P3_PU							
Type	R/W	R/W	R/W	R/W	R/W	R/W	R/W	R/W
Reset	0	0	0	0	0	0	0	0
Bit	Name	Description						
[7:0]	P3_PU	P3.0 ~ P3.7 Pull-up Resistor Enable 0: Disable 1: Enable						

22.3.13 P4_PU (0x4057)

Bit	7	6	5	4	3	2	0	0
Name	RSV	P4_PU[5]	P4_PU[4]	RSV	P4_PU[2]	RSV	RSV	RSV
Type	R	R	R/W	R/W	R/W	R/W	R	R
Reset	0	0	0	0	0	0	0	0
Bit	Name	Description						
[7:6]	RSV	Reserved						
[5:4]	P4_PU	P4.4 ~ P4.5 Pull-up Resistor Enable 0: Disable 1: Enable						
[3]	RSV	Reserved						
[2]	P4_PU	P4.2 Pull-up Resistor Enable 0: Disable 1: Enable						
[1:0]	RSV	Reserved						

22.3.14 PH_SEL (0x404C)

Bit	7	6	5	4	3	2	1	0
Name	SPITMOD	UART1EN	UART2EN	T4SEL	T3SEL	T2SEL	T2SSEL	RSV
Type	R/W	R/W	R/W	R/W	R/W	R/W	R/W	R
Reset	0	0	0	0	0	0	0	0
Bit	Name	Description						
[7]	SPITMOD	MISO port status after SPI slave device completes transmission						

		0: Output State 1: High-impedance State
[6]	UART1EN	Port multiplexed as RXD, TXD and UART1 enabled 0: Disable 1: P0.5 and P0.6 pins multiplexed as TXD and RXD pins and UART1 enabled
[5]	UART2EN	Port multiplexed as RXD2, TXD2 and UART2 enabled 0: Disable 1: P3.7 pin multiplexed as TXD2 pin; P3.6 as RXD2 pin; and UART2 enabled.
[4]	T4SEL	Port pins multiplexed as Timer4 0: Not multiplexed 1: P0.1 or P0.0 (PH_SEL1[T4CT1] = 1) multiplexed as I/O pins of Timer4. Note: See section 22.2 IO Instructions for IO priority.
[3]	T3SEL	Port pins multiplexed as Timer3 0: Not multiplexed 1: P1.1 or P0.1 (PH_SEL1[T3CT]=1) multiplexed as I/O pins of Timer3. Note: See section 22.2 IO Instructions for IO priority.
[2]	T2SEL	Port pins multiplexed as Timer2 0: P1.0 pin multiplexed as GPIO pins 1: P1.0 pin multiplexed as I/O pins of Timer2
[1]	T2SSEL	Port pins multiplexed as Timer 2S 0: P0.7 pin multiplexed as GPIO pins 1: P0.7 pin multiplexed as Timer2 I/O pins Note: Timer2 has the highest priority, followed by comparator output and MISO.
[0]	RSV	Reserved

22.3.15 PH_SEL1 (0x404D)

Bit	7	6	5	4	3	2	1	0
Name	RSV					SPICT	T4CT	T3CT
Type	R	R	R	R	R	R/W	R/W	R/W
Reset	0	0	0	0	0	0	0	0
Bit	Name	Description						
[7:3]	RSV	Reserved						
[2]	SPICT	SPI Functional Switching Enable 0: No functional switching, with P0.5 serving as SCLK pin and P0.6 as MOSI pin 1: Functional switching, with P0.5(SCLK) switched to P0.0 and P0.6(MOSI) switched to P0.1						
[1]	T4CT	Timer4 Functional Switching Enable 0: No functional switching, with P0.1 serving as input and output of Timer4						

		1: Functional switching, with P0.0 serving as input and output of Timer4
[0]	T3CT	Timer3 Functional Switching Enable 0: No functional switching, with P1.1 serving as input and output of Timer3 1: Functional switching, with P0.1 serving as input and output of Timer3

22.3.16 P0 (0x80)/P1 (0x90)/P2 (0xA0)/P3 (0xB0)/P4(0xE8)

Port output register P0/1/2/3/4/ supports read and write access. RMW commands are used to access the register value (see Table 22-2 for RMW commands), and other commands are used to access PORT pin.

P0 (0x80)/P1 (0x90)/P2 (0xA0)/P3 (0xB0)/P4(0xE8)								
Bit	7	6	5	4	3	2	1	0
Name	GPx[7]	GPx[6]	GPx[5]	GPx[4]	GPx[3]	GPx[2]	GPx[1]	GPx[0]
Type	R/W	R/W	R/W	R/W	R/W	R/W	R/W	R/W
Reset	0	0	0	0	0	0	0	0
Name	Description		R/W		Initial Value			
P0[7:0]	Port Register 0		R/W		0x00			
P1[7:0]	Port Register 1		R/W		0x00			
P2[7:0]	Port Register 2		R/W		0x00			
P3[7:0]	Port Register 3		R/W		0x00			
P4[5:2]	Port Register 4		R/W		0x00			

Note: P4 has three ports, and its corresponding output registers are P4[5:4] and [2].

Table 22-2 RMW Commands

Command	Description
ANL	Logic AND
ORL	Logic OR
XRL	Logic exclusive OR
JBC	Jump if bit is set and clear
CPL	Complement bit
INC,DEC	Increment, decrement byte
DJNZ	Decrement and jump if not zero
MOV Px,y, C	Move carry bit to bit y of port x
CLR Px,y	Clear bit y of port x
SETB Px,y	Set bit y of port x

23 ADC

23.1 ADC Introduction

The ADC module is a 12-bit successive approximation register ADC with 15 channels inside. The sampling mode supports sequential sampling (that is, from ADC Channel 0 to ADC channel 14 in sequence) and the results are stored in a right-aligned or left-second-highest-bit-aligned format. AD0~AD13 serves as external pins for ADC channels, and AD14 as VCC pin where signals are directly sent to ADC module for sampling with division ratio configured by ADC_CR[ADCRATIO]. After DRV_CR[FOCEN] is enabled, AD0/AD1/AD2/AD4/AD14 support trigger sampling, and the results are always left-second-highest-bit-aligned. AD2 or AD14 is selected for bus voltage sampling by configuring FOC_CR0[UCSEL]. Triggered sampling is done automatically by hardware, and sequential sampling is controlled by software. The priority of triggered sampling is higher than that of sequential sampling. If both triggered sampling and sequential sampling are applied at the same time, the triggered sampling is performed first, and ADC automatically stores sequential sampling mode upon completion of triggered sampling. See section 5.6 ADC Electrical Characteristics for sample time and conversion time.

23.2 ADC Block Diagram

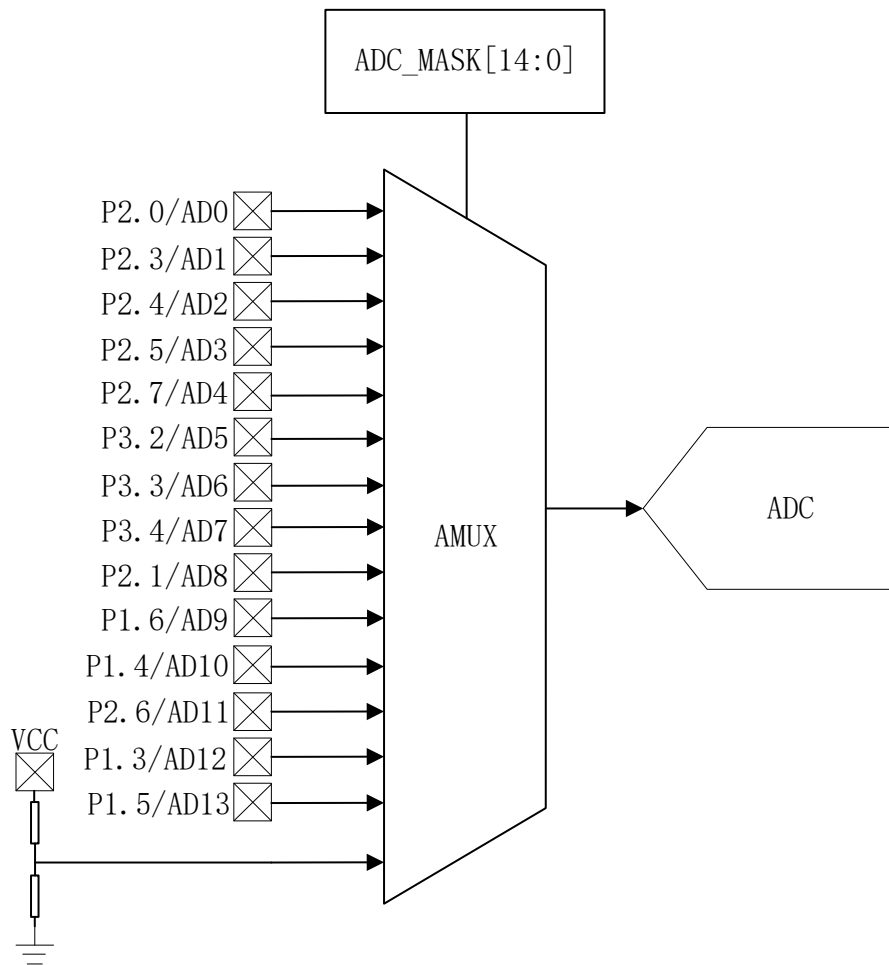


Figure 23-1 ADC Multiplexer Block Diagram

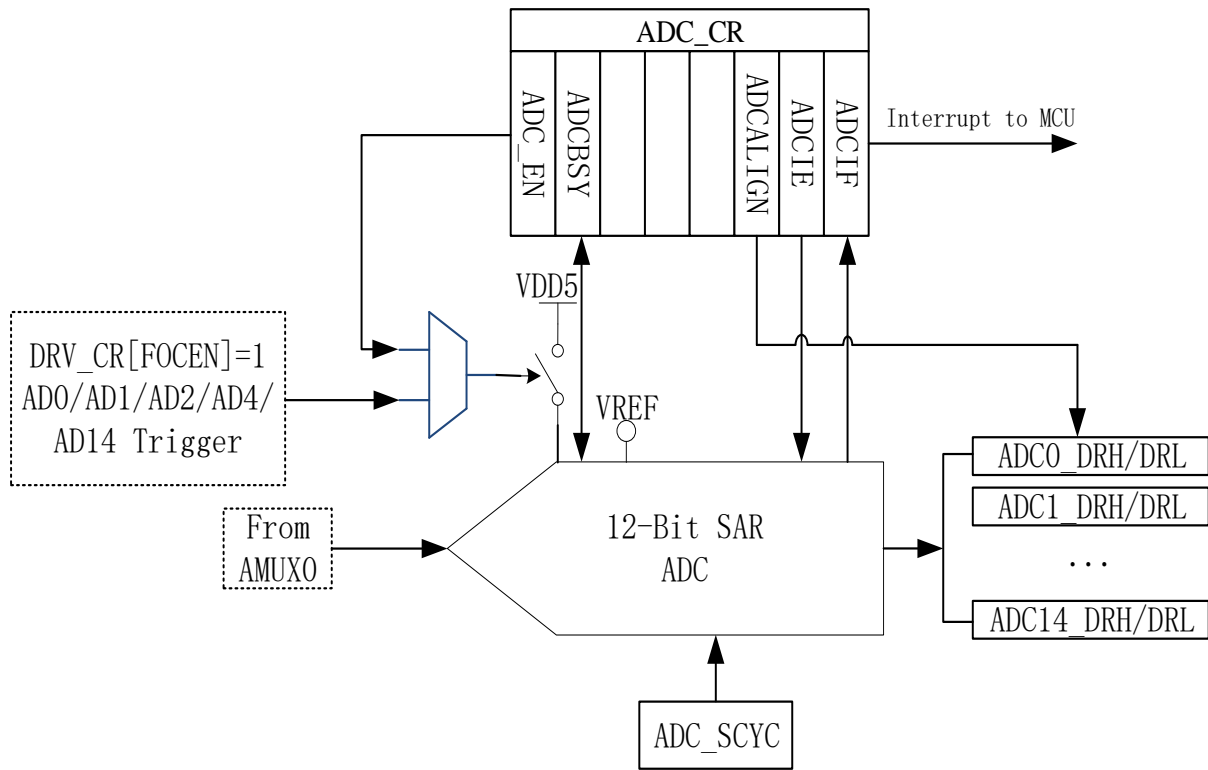


Figure 23-2 ADC Functional Block Diagram

23.3 ADC Operations

23.3.1 Sequential Sampling Mode

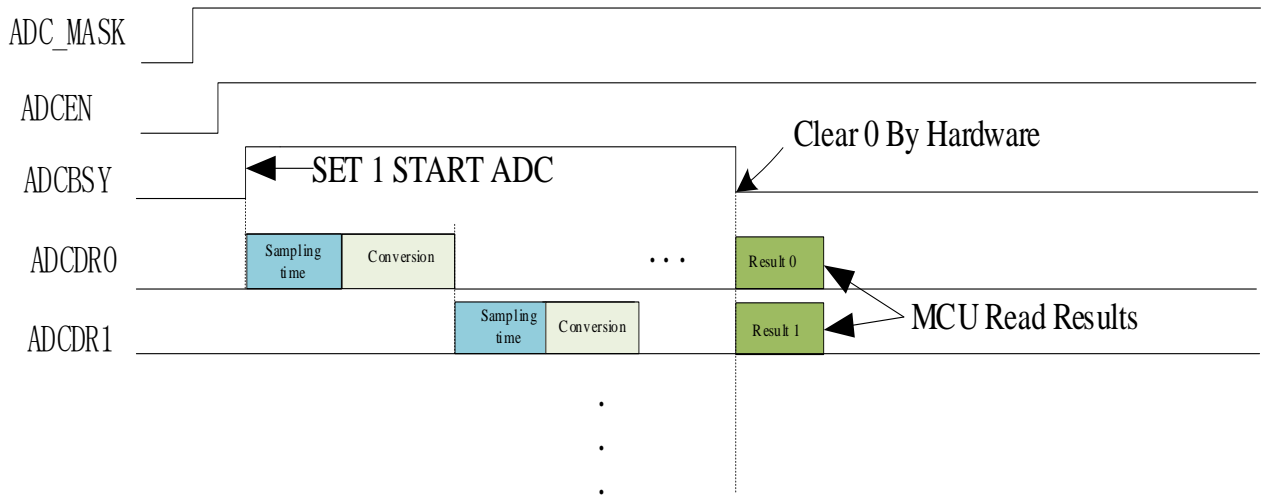


Figure 23-3 ADC Sequential Sampling Timing

ADC operations:

1. Set the appropriate ADC VREF;
2. Configure ADC_MASK to enable the corresponding channel required to sample;
3. Configure ADC_SCYC (minimum value is 3) to select the sampling period of each channel;
4. Configure ADC [ADCEN] = 1 to enable ADC;

5. Configure $ADC_CR[ADCBSY] = 1$ to start ADC;
6. When $ADC_CR[ADCBSY] = 0$, ADC results are read by $ADCx_DR$.

Note: The ADC conversion sequence is from low to high based on the enabled channel (i.e., when channel 2/3/4 is enabled, the signal is sampled in order of 2/3/4, and then a single conversion result is read after confirming $ADC [ADCBSY] = 0$).

23.3.2 Triggered Sampling Mode

When FOC module is enabled, ADC channels support triggered sampling mode. Triggered sampling mode and sequential sampling mode can be performed at the same time, with two different timing modes automatically assigned by internal circuit. ADC channel for triggered sampling mode and sequential sampling mode shall not overlap.

After FOC module is enabled ($DRV_CR[FOCEN]=1$), it automatically starts ADC module to trigger ADC sampling and send the sampled values to the FOC module. AD2 or AD14 is selected for bus voltage sampling by configuring $FOC_CR0[UCSEL]$.

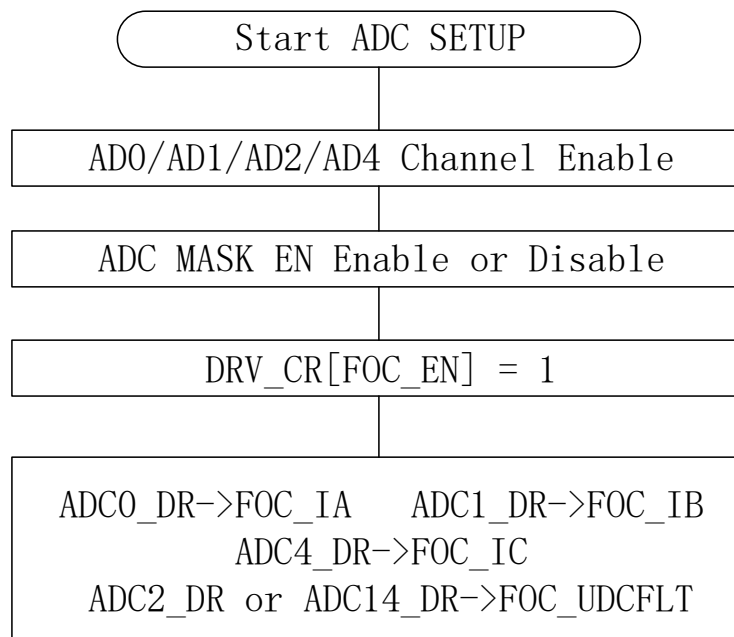


Figure 23-4 Triggered Sampling by Hardware

As shown above, after FOC module is enabled, ADC channel 0/1/2/4 can be selected for FOC trigger sampling by hardware.

23.3.3 Output Data Format

Registers $ADCx_DRH$ and $ADCx_DRL$ contain the high-order bits and the low-order bits of ADC sampling results. Data can be right-aligned or left-second-highest-bit-aligned by configuring $ADC_CR[ADCALIGN]$. The relation between the output values and result data is shown in the table below. The bits, which are not used in $ADCx_DRH$ and $ADCx_DRL$, are set to “0”.

Table 23-1 Relation between Output Voltage and Result Data

Input Voltage	Right-aligned	Left-second-highest-aligned
0	0x0000	0x0000
VREF/2	0x0800	0x4000
VREF	0x0FFF	0x7FF8

23.4 ADC Registers

23.4.1 ADC_CR(0x4039)

Bit	7	6	5	4	3	2	1	0
Name	ADCEN	ADCBSY	ADCRATIO	RSV		ADCALIGN	ADCIE	ADCIF
Type	R/W	R/W1	R/W	R/W	R/W	R/W	R/W	R/W
Reset	0	0	0	0	0	0	0	0
Bit	Name	Description						
[7]	ADCEN	ADC Enable 0: Disable 1: Enable						
[6]	ADCBSY	ADC Start & ADC Busy Flag Read: 0: ADC Idle 1: ADC Busy Write: 0: No effect 1: ADC conversion starts Note: Writing “1” to this bit has no effect when ADC_MASK = 0.						
[5]	ADCRATIO	Division Ratio of VCC sampling by ADC Channel 14 0: 1/12 1: 1/6.5						
[4:3]	RSV	Reserved						
[2]	ADCALIGN	ADC Data Format Select bit 0: ADC output is right-aligned, and ADC result = ADCx_DR[11:0] 1: ADC output is left-second-highest-bit-aligned, and ADC result = ADCx_DR[14:3] Note: The results of triggered sampling mode are always left-second-highest-bit-aligned.						
[1]	ADCIE	ADC Interrupt Enable (excluding triggered sampling mode interrupt) 0: Disable 1: Enable						
[0]	ADCIF	ADC Interrupt Flag This bit is set to “1” by hardware when ADC conversion is completed Read: 0: No Interrupt Pending 1: Interrupt Pending Write: 0: This bit is cleared to “0”. 1: No effect						

23.4.2 ADC_MASK (0x4036~0x4037)

ADC_MASKH(0x4036)								
Bit	7	6	5	4	3	2	1	0
Name	RSV	CH14EN	CH13EN	CH12EN	CH11EN	CH10EN	CH9EN	CH8EN
Type	R	R/W	R/W	R/W	R/W	R/W	R/W	R/W
Reset	0	0	0	0	0	0	0	0
ADC_MASKL(0x4037)								
Bit	7	6	5	4	3	2	1	0
Name	CH7EN	CH6EN	CH5EN	CH4EN	CH3EN	CH2EN	CH1EN	CH0EN

Type	R/W	R/W	R/W	R/W	R/W	R/W	R/W	R/W		
Reset	0	0	0	0	0	0	0	0		
Bit	Name	Description								
[15]	RSV	Reserved								
[14]	CH14EN	ADC channel 14 Enable								
[13]	CH13EN	ADC channel 13 Enable								
[12]	CH12EN	ADC channel 12 Enable								
[11]	CH11EN	ADC channel 11 Enable								
[10]	CH10EN	ADC channel 10 Enable								
[9]	CH9EN	ADC channel 9 Enable								
[8]	CH8EN	ADC channel 8 Enable								
[7]	CH7EN	ADC channel 7 Enable								
[6]	CH6EN	ADC channel 6 Enable								
[5]	CH5EN	ADC channel 5 Enable								
[4]	CH4EN	ADC channel 4 Enable								
[3]	CH3EN	ADC channel 3 Enable								
[2]	CH2EN	ADC channel 2 Enable								
[1]	CH1EN	ADC channel 1 Enable								
[0]	CH0EN	ADC channel 0 Enable								

Note: In triggered sampling mode, it is not required to configure ADC_MASK.

23.4.3 ADC_SCYC (0x4035,0x4038)

ADC_SCYCH (0x4035)									
Bit	7	6	5	4	3	2	1	0	
Name	DACEN	DACMOD	ADC_SCYC[11:8]				RSV		
Type	R/W	R/W	R/W	R/W	R/W	R/W	R	R	
Reset	0	0	0	0	1	1	0	0	
ADC_SCYCL (0x4038)									
Bit	7	6	5	4	3	2	1	0	
Name	ADC_SCYCL [7:4]				ADC_SCYCL [3:0]				
Type	R/W	R/W	R/W	R/W	R/W	R/W	R/W	R/W	
Reset	0	0	1	1	0	0	1	1	
Bit	Name	Description							
[11:8]	ADC_SCYC [11:8]	ADC sampling cycle for ADC channel 8/9/10/11/12/13 ADC_SCYC[11] = 0: The sampling cycle is ADC_SCYC[10:8] ADC clock cycles ADC_SCYC[11] = 1: The sampling cycle is (ADC_SCYC[10:8]*8 + 7) ADC clock cycles							
[7:4]	ADC_SCYCL [7:4]	ADC sampling cycle for ADC channel 5/6/7/14 ADC_SCYCL[7] = 0: The sampling cycle is ADC_SCYCL[6:4] ADC clock cycles ADC_SCYCL[7] = 1: The sampling cycle is (ADC_SCYCL[6:4]*8 + 7) ADC clock cycles							
[3:0]		ADC sampling cycle for ADC channel 0/1/2/3/4							

	ADC_SCYCL [3:0]	ADC_SCYC [3] = 0: The sampling cycle is ADC_SCYC [2:0] ADC clock cycles ADC_SCYC [3] = 1: The sampling cycle is (ADC_SCYC[2:0]*8 + 7) ADC clock cycles
--	--------------------	---

23.4.4 ADC0_DR (0x0300~0x0301)

ADC0_DRH (0x0300)								
Bit	7	6	5	4	3	2	1	0
Name	DH[7]	DH[6]	DH[5]	DH[4]	DH[3]	DH[2]	DH[1]	DH[0]
Type	R	R	R	R	R	R	R	R
Reset	0	0	0	0	0	0	0	0
ADC0_DRL (0x0301)								
Bit	7	6	5	4	3	2	1	0
Name	DL[7]	DL[6]	DL[5]	DL[4]	DL[3]	DL[2]	DL[1]	DL[0]
Type	R	R	R	R	R	R	R	R
Reset	0	0	0	0	0	0	0	0
Bit	Name	Description						
[15:0]	ADC0_DR	The conversion results of ADC channel 0 upon completion of ADC conversion in the Sequential Sampling Mode. The data is aligned according to ADC_CR[ADCALIGN]. Note: ADC results of Triggered Sampling Mode are not updated to this register.						

23.4.5 ADC1_DR (0x0302~0x0303)

ADC1_DRH (0x0302)								
Bit	7	6	5	4	3	2	1	0
Name	DH[7]	DH[6]	DH[5]	DH[4]	DH[3]	DH[2]	DH[1]	DH[0]
Type	R	R	R	R	R	R	R	R
Reset	0	0	0	0	0	0	0	0
ADC1_DRL (0x0303)								
Bit	7	6	5	4	3	2	1	0
Name	DL[7]	DL[6]	DL[5]	DL[4]	DL[3]	DL[2]	DL[1]	DL[0]
Type	R	R	R	R	R	R	R	R
Reset	0	0	0	0	0	0	0	0
Bit	Name	Description						
[15:0]	ADC1_DR	The conversion results of ADC channel 1 upon completion of ADC conversion in the Sequential Sampling Mode. The data is aligned according to ADC_CR[ADCALIGN]. Note: ADC results of Triggered Sampling Mode are not updated to this register.						

23.4.6 ADC2_DR (0x0304~0x0305)

ADC2_DRH (0x0304)								
Bit	7	6	5	4	3	2	1	0
Name	DH[7]	DH[6]	DH[5]	DH[4]	DH[3]	DH[2]	DH[1]	DH[0]
Type	R	R	R	R	R	R	R	R
Reset	0	0	0	0	0	0	0	0
ADC2_DRL (0x0305)								
Bit	7	6	5	4	3	2	1	0
Name	DL[7]	DL[6]	DL[5]	DL[4]	DL[3]	DL[2]	DL[1]	DL[0]
Type	R	R	R	R	R	R	R	R
Reset	0	0	0	0	0	0	0	0
Bit	Name	Description						
[15:0]	ADC2_DR	<p>The conversion results of ADC channel 2 upon completion of ADC conversion in the Sequential Sampling Mode The data is aligned according to ADC_CR[ADCALIGN].</p> <p>Note: ADC results of Triggered Sampling Mode are not updated to this register.</p>						

23.4.7 ADC3_DR (0x0306~0x0307)

ADC3_DRH (0x0306)								
Bit	7	6	5	4	3	2	1	0
Name	DH[7]	DH[6]	DH[5]	DH[4]	DH[3]	DH[2]	DH[1]	DH[0]
Type	R	R	R	R	R	R	R	R
Reset	0	0	0	0	0	0	0	0
ADC3_DRL (0x0307)								
Bit	7	6	5	4	3	2	1	0
Name	DL[7]	DL[6]	DL[5]	DL[4]	DL[3]	DL[2]	DL[1]	DL[0]
Type	R	R	R	R	R	R	R	R
Reset	0	0	0	0	0	0	0	0
Bit	Name	Description						
[15:0]	ADC3_DR	<p>The conversion results of ADC channel 3 upon completion of ADC conversion in the Sequential Sampling Mode The data is aligned according to ADC_CR[ADCALIGN].</p> <p>Note: ADC results of Triggered Sampling Mode are not updated to this register.</p>						

23.4.8 ADC4_DR (0x0308~0x0309)

ADC4_DRH (0x0308)								
Bit	7	6	5	4	3	2	1	0
Name	DH[7]	DH[6]	DH[5]	DH[4]	DH[3]	DH[2]	DH[1]	DH[0]
Type	R	R	R	R	R	R	R	R
Reset	0	0	0	0	0	0	0	0
ADC4_DRL (0x0308)								
Bit	7	6	5	4	3	2	1	0
Name	DL[7]	DL[6]	DL[5]	DL[4]	DL[3]	DL[2]	DL[1]	DL[0]
Type	R	R	R	R	R	R	R	R
Reset	0	0	0	0	0	0	0	0
Bit	Name	Description						
[15:0]	ADC4_DR	The conversion results of ADC channel 4 upon completion of ADC conversion in the Sequential Sampling Mode The data is aligned according to ADC_CR[ADCALIGN]. Note: ADC results of Triggered Sampling Mode are not updated to this register.						

23.4.9 ADC5_DR (0x030A~0x030B)

ADC5_DRH (0x030A)								
Bit	7	6	5	4	3	2	1	0
Name	DH[7]	DH[6]	DH[5]	DH[4]	DH[3]	DH[2]	DH[1]	DH[0]
Type	R	R	R	R	R	R	R	R
Reset	0	0	0	0	0	0	0	0
ADC5_DRL (0x030B)								
Bit	7	6	5	4	3	2	1	0
Name	DL[7]	DL[6]	DL[5]	DL[4]	DL[3]	DL[2]	DL[1]	DL[0]
Type	R	R	R	R	R	R	R	R
Reset	0	0	0	0	0	0	0	0
Bit	Name	Description						
[15:0]	ADC5_DR	The conversion results of ADC channel 5 upon completion of ADC conversion in the Sequential Sampling Mode The data is aligned according to ADC_CR[ADCALIGN]. Note: ADC results of Triggered Sampling Mode are not updated to this register.						

23.4.10 ADC6_DR (0x030C~0x030D)

ADC6_DRH (0x030C)								
Bit	7	6	5	4	3	2	1	0
Name	DH[7]	DH[6]	DH[5]	DH[4]	DH[3]	DH[2]	DH[1]	DH[0]
Type	R	R	R	R	R	R	R	R
Reset	0	0	0	0	0	0	0	0
ADC6_DRL (0x030D)								
Bit	7	6	5	4	3	2	1	0
Name	DL[7]	DL[6]	DL[5]	DL[4]	DL[3]	DL[2]	DL[1]	DL[0]
Type	R	R	R	R	R	R	R	R
Reset	0	0	0	0	0	0	0	0
Bit	Name	Description						
[15:0]	ADC6_DR	<p>The conversion results of ADC channel 6 upon completion of ADC conversion in the Sequential Sampling Mode</p> <p>The data is aligned according to ADC_CR[ADCALIGN].</p> <p>Note: ADC results of Triggered Sampling Mode are not updated to this register.</p>						

23.4.11 ADC7_DR (0x030E~0x030F)

ADC7_DRH (0x030E)								
Bit	7	6	5	4	3	2	1	0
Name	DH[7]	DH[6]	DH[5]	DH[4]	DH[3]	DH[2]	DH[1]	DH[0]
Type	R	R	R	R	R	R	R	R
Reset	0	0	0	0	0	0	0	0
ADC7_DRL (0x030F)								
Bit	7	6	5	4	3	2	1	0
Name	DL[7]	DL[6]	DL[5]	DL[4]	DL[3]	DL[2]	DL[1]	DL[0]
Type	R	R	R	R	R	R	R	R
Reset	0	0	0	0	0	0	0	0
Bit	Name	Description						
[15:0]	ADC7_DR	<p>The conversion results of ADC channel 7 upon completion of ADC conversion in the Sequential Sampling Mode</p> <p>The data is aligned according to ADC_CR[ADCALIGN].</p> <p>Note: ADC results of Triggered Sampling Mode are not updated to this register.</p>						

23.4.12 ADC8_DR (0x0310~0x0311)

ADC8_DRH (0x0310)								
Bit	7	6	5	4	3	2	1	0
Name	DH[7]	DH[6]	DH[5]	DH[4]	DH[3]	DH[2]	DH[1]	DH[0]
Type	R	R	R	R	R	R	R	R
Reset	0	0	0	0	0	0	0	0
ADC8_DRL (0x0311)								
Bit	7	6	5	4	3	2	1	0
Name	DL[7]	DL[6]	DL[5]	DL[4]	DL[3]	DL[2]	DL[1]	DL[0]
Type	R	R	R	R	R	R	R	R
Reset	0	0	0	0	0	0	0	0
Bit	Name	Description						
[15:0]	ADC8_DR	<p>The conversion results of ADC channel 8 upon completion of ADC conversion in the Sequential Sampling Mode</p> <p>The data is aligned according to ADC_CR[ADCALIGN].</p> <p>Note: ADC results of Triggered Sampling Mode are not updated to this register.</p>						

23.4.13 ADC9_DR (0x0312~0x0313)

ADC9_DRH (0x0312)								
Bit	7	6	5	4	3	2	1	0
Name	DH[7]	DH[6]	DH[5]	DH[4]	DH[3]	DH[2]	DH[1]	DH[0]
Type	R	R	R	R	R	R	R	R
Reset	0	0	0	0	0	0	0	0
ADC9_DRL (0x0313)								
Bit	7	6	5	4	3	2	1	0
Name	DL[7]	DL[6]	DL[5]	DL[4]	DL[3]	DL[2]	DL[1]	DL[0]
Type	R	R	R	R	R	R	R	R
Reset	0	0	0	0	0	0	0	0
Bit	Name	Description						
[15:0]	ADC9_DR	<p>The conversion results of ADC channel 9 upon completion of ADC conversion in the Sequential Sampling Mode</p> <p>The data is aligned according to ADC_CR[ADCALIGN].</p> <p>Note: ADC results of Triggered Sampling Mode are not updated to this register.</p>						

23.4.14 ADC10_DR (0x0314~0x0315)

ADC10_DRH (0x0314)								
Bit	7	6	5	4	3	2	1	0
Name	DH[7]	DH[6]	DH[5]	DH[4]	DH[3]	DH[2]	DH[1]	DH[0]
Type	R	R	R	R	R	R	R	R
Reset	0	0	0	0	0	0	0	0
ADC10_DRL (0x0315)								
Bit	7	6	5	4	3	2	1	0
Name	DL[7]	DL[6]	DL[5]	DL[4]	DL[3]	DL[2]	DL[1]	DL[0]
Type	R	R	R	R	R	R	R	R
Reset	0	0	0	0	0	0	0	0
Bit	Name	Description						
[15:0]	ADC10_DR	<p>The conversion results of ADC channel 10 upon completion of ADC conversion in the Sequential Sampling Mode</p> <p>The data is aligned according to ADC_CR[ADCALIGN].</p> <p>Note: ADC results of Triggered Sampling Mode are not updated to this register.</p>						

23.4.15 ADC11_DR (0x0316~0x0317)

ADC11_DRH (0x0316)								
Bit	7	6	5	4	3	2	1	0
Name	DH[7]	DH[6]	DH[5]	DH[4]	DH[3]	DH[2]	DH[1]	DH[0]
Type	R	R	R	R	R	R	R	R
Reset	0	0	0	0	0	0	0	0
ADC11_DRL (0x0317)								
Bit	7	6	5	4	3	2	1	0
Name	DL[7]	DL[6]	DL[5]	DL[4]	DL[3]	DL[2]	DL[1]	DL[0]
Type	R	R	R	R	R	R	R	R
Reset	0	0	0	0	0	0	0	0
Bit	Name	Description						
[15:0]	ADC11_DR	<p>The conversion results of ADC channel 11 upon completion of ADC conversion in the Sequential Sampling Mode</p> <p>The data is aligned according to ADC_CR[ADCALIGN].</p> <p>Note: ADC results of Triggered Sampling Mode are not updated to this register.</p>						

23.4.16 ADC12_DR (0x0318~0x0319)

ADC12_DRH (0x0318)								
Bit	7	6	5	4	3	2	1	0
Name	DH[7]	DH[6]	DH[5]	DH[4]	DH[3]	DH[2]	DH[1]	DH[0]
Type	R	R	R	R	R	R	R	R
Reset	0	0	0	0	0	0	0	0
ADC12_DRL (0x0319)								
Bit	7	6	5	4	3	2	1	0
Name	DL[7]	DL[6]	DL[5]	DL[4]	DL[3]	DL[2]	DL[1]	DL[0]
Type	R	R	R	R	R	R	R	R
Reset	0	0	0	0	0	0	0	0
Bit	Name	Description						
[15:0]	ADC12_DR	<p>The conversion results of ADC channel 12 upon completion of ADC conversion in the Sequential Sampling Mode The data is aligned according to ADC_CR[ADCALIGN].</p> <p>Note: ADC results of Triggered Sampling Mode are not updated to this register.</p>						

23.4.17 ADC13_DR (0x031A~0x031B)

ADC13_DRH (0x031A)								
Bit	7	6	5	4	3	2	1	0
Name	DH[7]	DH[6]	DH[5]	DH[4]	DH[3]	DH[2]	DH[1]	DH[0]
Type	R	R	R	R	R	R	R	R
Reset	0	0	0	0	0	0	0	0
ADC13_DRL (0x031B)								
Bit	7	6	5	4	3	2	1	0
Name	DL[7]	DL[6]	DL[5]	DL[4]	DL[3]	DL[2]	DL[1]	DL[0]
Type	R	R	R	R	R	R	R	R
Reset	0	0	0	0	0	0	0	0
Bit	Name	Description						
[15:0]	ADC13_DR	<p>The conversion results of ADC channel 13 upon completion of ADC conversion in the Sequential Sampling Mode The data is aligned according to ADC_CR[ADCALIGN].</p> <p>Note: ADC results of Triggered Sampling Mode are not updated to this register.</p>						

23.4.18 ADC14_DR (0x031C~0x031D)

ADC14_DRH (0x031C)								
Bit	7	6	5	4	3	2	1	0
Name	DH[7]	DH[6]	DH[5]	DH[4]	DH[3]	DH[2]	DH[1]	DH[0]
Type	R	R	R	R	R	R	R	R
Reset	0	0	0	0	0	0	0	0
ADC14_DRL (0x031D)								
Bit	7	6	5	4	3	2	1	0
Name	DL[7]	DL[6]	DL[5]	DL[4]	DL[3]	DL[2]	DL[1]	DL[0]
Type	R	R	R	R	R	R	R	R
Reset	0	0	0	0	0	0	0	0
Bit	Name	Description						
[15:0]	ADC14_DR	<p>The conversion results of ADC channel 14 upon completion of ADC conversion in the Sequential Sampling Mode The data is aligned according to ADC_CR[ADCALIGN].</p> <p>Note: ADC results of Triggered Sampling Mode are not updated to this register.</p>						

24 DAC

24.1 DAC Introduction

The chip integrates two DAC modules, where DAC0 is a 9-bit digital-to-analog converter and DAC1 is a 6-bit digital-to-analog converter.

24.2 DAC0 Functional Block Diagram

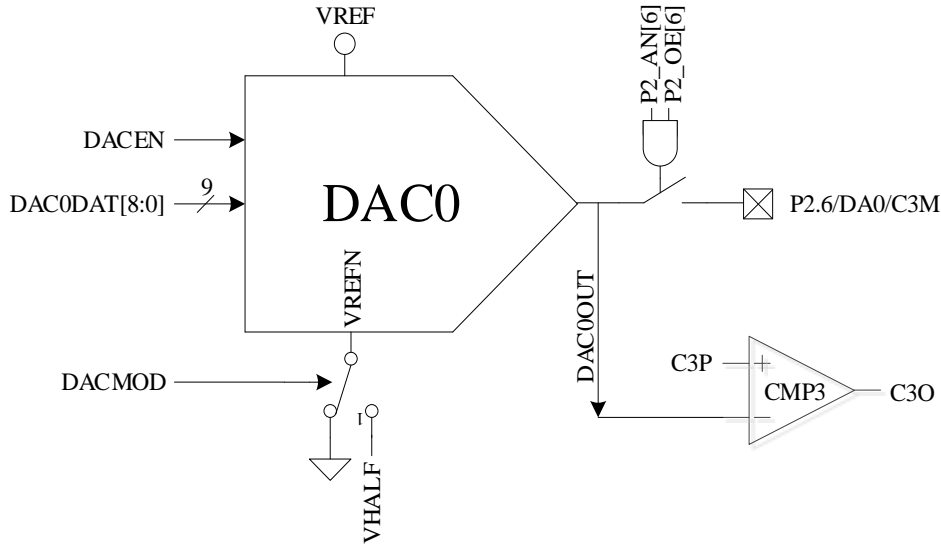


Figure 24-1 DAC0 Functional Block Diagram

As shown above, DAC0 converts 9-bit digital data into analog voltage. The voltage is sent to CMP3 negative input for bus overcurrent protection, while P2.6 pin can be configured as the analog output.

Note: DAC0 output has no current drive capability and can only carry capacitive load. To carry resistive load, operational amplifiers are used to follow the voltage output.

DAC0 operations are as follows:

1. Configure P2_AN[6] = 1 and P2_OE[6] = 1, and DAC0 output to P2.6 pin;
2. Configure VREF_CR[VREFEN] = 1 and DAC_CR[DAC0_1EN] = 1, and VREF used as DAC0 reference voltage;
3. The range of output voltage is set by DAC_CR[DACMOD]. When DAC [DACMOD] = 0, full-voltage output mode is active, and the range of output voltage is 0~VREF. When DAC_CR[DACMOD] = 1, half-voltage output mode is active, the range of output voltage is VHALF~VREF. Output voltage of DAC0DAT under different configuration is shown as below.

Table 24-1 Voltage Output of DAC0 in Different Configurations

DAC0DAT[8:0]	DAC Output Voltage (DAC_CR[DACMOD] = 0)	DAC Output Voltage (DAC_CR[DACMOD] = 1)
0x000	0	VHALF
0x100	VREF/2	(VREF - VHALF)/2 + VHALF
0x1FF	VREF*511/512	(VREF - VHALF)*511/512 + VHALF

24.3 DAC1 Functional Block Diagram

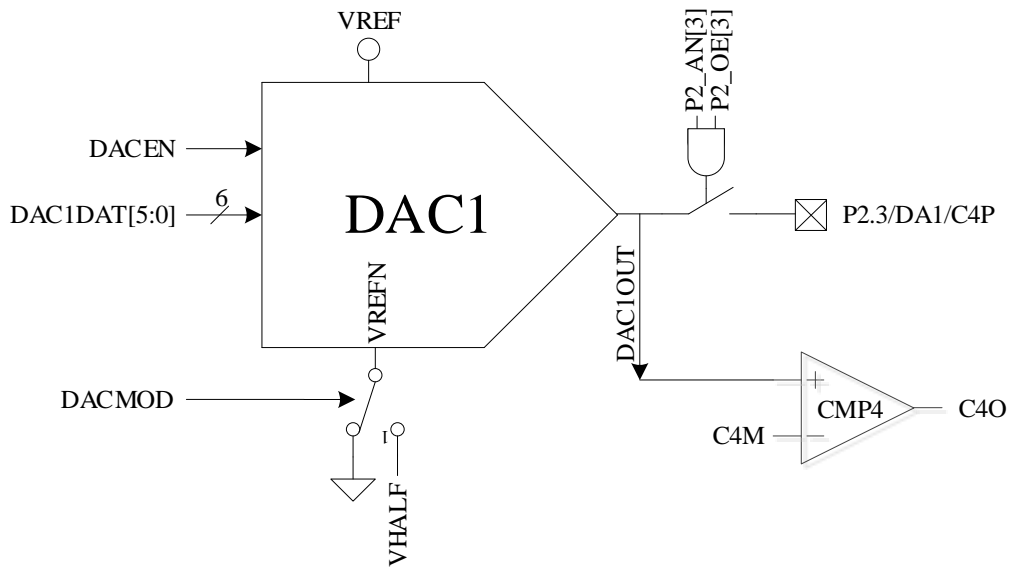


Figure 24-2 DAC1 Functional Block Diagram

As shown above, DAC1 converts 6-bit digital data into analog voltage, and sends the voltage to CMP4 positive input for cycle-by-cycle current limiting, while P2.3 pin can be configured as the analog output.

Note: DAC1 output has no current drive capability and can only carry capacitive load. To carry resistive load, operational amplifiers are used to follow the voltage output.

DAC1 operations are as follows:

1. Configure $P2_AN[3] = 1$ and $P2_OE[3] = 1$, and DAC1 output to P2.3 pin;
2. Configure $VREF_CR[VREFEN] = 1$ and $DAC_CR[DAC0_1EN] = 1$, and VREF used as DAC1 reference voltage;
3. The range of output voltage is set by $DAC_CR[DACMOD]$. When $DAC_CR[DACMOD] = 0$, full-voltage output mode is active, and the range of output voltage is $0 \sim VREF$. When $DAC_CR[DACMOD] = 1$, half-voltage output mode is active, and the range of output voltage is $VHALF \sim VREF$. Output voltage of DAC1 in different under different configurations is shown as below.

Table 24-2 DAC1 Voltage Output with Different Configurations

DAC1DAT[5:0]	DAC Output Voltage ($DAC_CR[DACMOD] = 0$)	DAC Output Voltage ($DAC_CR[DACMOD] = 1$)
0x00	0	VHALF
0x20	$VREF/2$	$(VREF - VHALF)/2 + VHALF$
0x3F	$VREF * 63/64$	$(VREF - VHALF) * 63/64 + VHALF$

24.4 DAC Registers

24.4.1 DAC_CR (0x4035)

Bit	7	6	5	4	3	2	1	0
Name	DACEN	DACMOD	ADC_SCYC[11:8]				RSV	
Type	R/W	R/W	R/W	R/W	R/W	R/W	R	R
Reset	0	0	0	0	1	1	0	0
Bit	Name	Description						
[7]	DACEN	DAC0, DAC1 Enable 0: Disable 1: Enable						
[6]	DACMOD	DAC Mode Setting 0: Full-voltage Output Mode 1: Half-voltage Output Mode						
[5: 2]	ADC_SCYC[11:8]	See section ADC_SCYC (0x4035,0x4038).						
[1: 0]	RSV	Reserved						

24.4.2 DAC0_DR (0x404B)

Bit	7	6	5	4	3	2	1	0
Name	DAC0DAT[8:1]							
Type	R/W	R/W	R/W	R/W	R/W	R/W	R/W	R/W
Reset	0	0	0	0	0	0	0	0
Bit	Name	Description						
[7:0]	DAC0DAT[8:1]	8 high-order bits input of DAC0 controller						

24.4.3 DAC1_DR (0x404A)

Bit	7	6	5	4	3	2	1	0
Name	DAC0DAT[0]	RSV	DAC1DAT					
Type	R/W	R	R/W	R/W	R/W	R/W	R/W	R/W
Reset	0	0	0	0	0	0	0	0
Bit	Name	Description						
[7]	DAC0DAT[0]	LSB input of DAC0 controller						
[6]	RSV	Reserved						
[5:0]	DAC1DAT	6 high-order bits input of DAC1 controller						

25 DMA

25.1 DMA Instructions

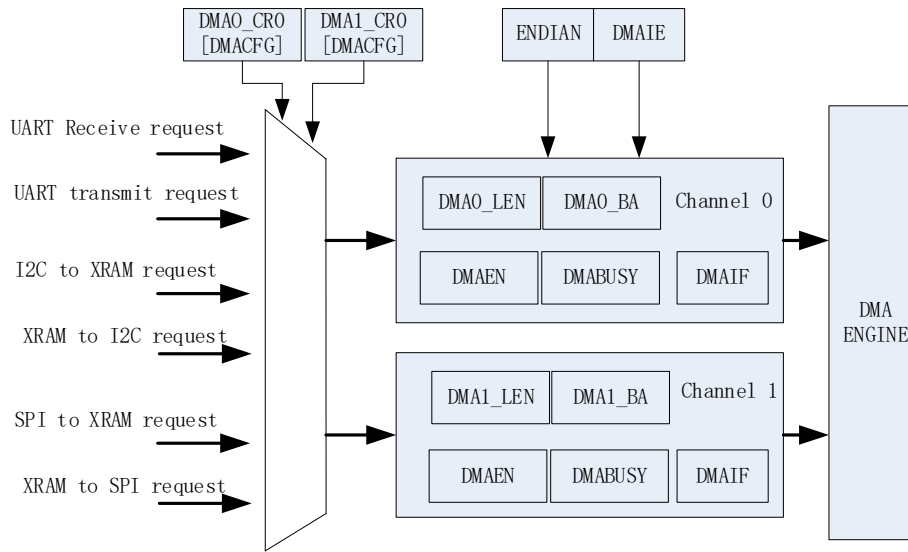


Figure 25-1 DMA Functional Block Diagram

The DMA module is a dual-channel DMA controller, which performs direct data transfer between peripherals (SPI, UART, I2C) and XRAM (IRAM data invalid). DMA accessing to XRAM does not interfere with the normal CPU read/write operation to XRAM. The length of the transferred data and the start address of XRAM access is configurable. Data transfer mode is configurable and interrupt can be enabled.

DMA instructions are as follows:

1. Configure the peripheral and enable the peripheral, and set input and output channels taken over by DMA by DMA_x_CR0[DMACFG];
2. Configure DMA interrupt enable, transfer order, transfer length and XRAM start address. Write DMA_x_CR0[DMAEN] and DMA_x_CR0[DMABSY] to “1” to start DMA;
3. After data transfer, the interrupt flag bit DMA_x_CR0[DMAIF] is set to “1” by hardware and it is cleared to “0” by software;
4. Set DMA_x_CR0[DMABSY] to “1” to start DMA again.

25.2 DMA Registers

25.2.1 DMA0_CR0 (0x403A)

Bit	7	6	5	4	3	2	1	0
Name	DMAEN	DMABSY	DMACFG2	DMACFG1	DMACFG0	DMAIE	ENDIAN	DMAIF
Type	R/W	R/W1	R/W	R/W	R/W	R/W	R/W	R/W
Reset	0	0	0	0	0	0	0	0
Bit	Name	Description						
[7]	DMAEN	DMA Channel 0 Enable 0: Disable 1: Enable						

[6]	DMABSY	<p>DMA Channel 0 Start/Busy Flag</p> <p>Read:</p> <p>0: Channel 0 Idle</p> <p>1: Channel 0 Busy</p> <p>Write:</p> <p>0: No effect</p> <p>1: Channel 0 starts for data transfer</p>
[5:3]	DMACFG [2:0]	<p>DMA Channel 0 Peripherals and Transfer Direction Select Bit</p> <p>000: From UART1 to XRAM</p> <p>001: From XRAM to UART1</p> <p>010: From I2C to XRAM</p> <p>011: From XRAM to I2C</p> <p>100: From SPI to XRAM</p> <p>101: From XRAM to SPI</p> <p>110: From UART2 to XRAM</p> <p>111: From XRAM to UART2</p>
[2]	DMAIE	<p>DMA Channel Interrupt Enable</p> <p>0: Disable</p> <p>1: Enable</p>
[1]	ENDIAN	<p>DMA Data Transfer Sequence</p> <p>0: High bytes are received or sent first</p> <p>1: Low bytes are received or sent first</p> <p>Note: This bit is set for 16-bit data mode, and shall be configured to “0” for 8-bit data mode. It cannot be configured when Channel 0 or 1 is busy.</p>
[0]	DMAIF	<p>DMA Channel 0 Transfer Interrupt Event Flag Bit</p> <p>Read:</p> <p>0: No Interrupt Pending</p> <p>1: Interrupt Pending</p> <p>Write:</p> <p>0: This bit is cleared to “0”.</p> <p>1: Interrupt Pending</p>

25.2.2 DMA1_CR0 (0x403B)

Bit	7	6	5	4	3	2	1	0
Name	DMAEN	DMABSY	DMACFG2	DMACFG1	DMACFG0	DBGSW	DBGEN	DMAIF
Type	R/W	R/W1	R/W	R/W	R/W	R/W	R/W	R/W
Reset	0	0	0	0	0	0	0	0
Bit	Name	Description						
[7]	DMAEN	DMA Channel 1 Enable 0: Disable 1: Enable						
[6]	DMABSY	DMA Channel 1 Start/Busy Read: 0: Channel 1 Idle 1: Channel 1 Busy Write: 0: No effect 1: Channel 1 starts for data transfer						
[5:3]	DMACFG [2:0]	DMA Channel 1 Peripherals and Direction Select 000: From UART1 to XRAM 001: From XRAM to UART1 010: From I2C to XRAM 011: From XRAM to I2C 100: From SPI to XRAM 101: From XRAM to SPI 110: From UART2 to XRAM 111: From XRAM to UART2 Note: It cannot configured when Channel 1 is busy.						
[2]	DBGSW	Sector Targeted in Debug Mode 0: XSFR as the Debug area (export address space: 0x4020 ~ 0x40FF) 1: XRAM as the Debug area (export address space: 0x0000 ~ 0x0317)						
[1]	DBGEN	Debug Mode Enabled DMA works in Debug mode when DMA1[DMACFG] is set to “101” and DMA1_CR0[DBGEN] to “1”. After SPI is enabled, DMA automatically sends relevant data in the sector defined by DMA1_CR0[DBGSW] via MOSI. DMA1_BA/DMA1_LEN defines the start address and range of the relevant data. 0: Disable 1: Enable Note: DMA Channel 1 Interrupt is automatically disabled in Debug mode.						
[0]	DMAIF	DMA Channel 1 Transfer Interrupt Flag Read: 0: No Interrupt Pending 1: Interrupt Pending Write: 0: This bit is cleared to “0”. 1: Interrupt Pending Note: Setting DMA1_CR0[2:1] = 10 enables DMA Channel 1 Interrupt.						

25.2.3 DMA0_LEN (0x403C)

Bit	7	6	5	4	3	2	1	0
Name	RSV		DMA0_LEN					
Type	R	R	R/W	R/W	R/W	R/W	R/W	R/W
Reset	0	0	0	0	0	0	0	0
Bit	Name	Description						
[7:6]	RSV	Reserved						
[5:0]	DMA0_LEN	Transfer Length of DMA Channel 0 Read: The number of the byte that is currently transferred by DMA Channel 0 (0 denotes the first byte) Write: XRAM data transfer length of DMA Channel 0 Note: It cannot be configured when Channel 0 is busy. When DMA0[ENDIAN] = 1 (low bytes are received or transmitted first) , it is recommended that DMA0_LEN be set to an odd number.						

25.2.4 DMA0_BA (0x403E, 0x403F)

DMA0_BAH (0x403E)								
Bit	7	6	5	4	3	2	1	0
Name	RSV				DMA0_BA[10:8]			
Type	R	R	R	R	R	R/W	R/W	R/W
Reset	0	0	0	0	0	0	0	0
DMA0_BAL (0x403F)								
Bit	7	6	5	4	3	2	1	0
Name	DMA0_BA[7:0]							
Type	R/W	R/W	R/W	R/W	R/W	R/W	R/W	R/W
Reset	0	0	0	0	0	0	0	0
Bit	Name	Description						
[10:0]	DMA0_BA	Start Address of Data Transfer by DMA Channel 0 Start address of XRAM data transfer by DMA Channel 0 It cannot be configured when Channel 0 is busy. Note: XRAM address space for data transfer by Channel 0: DMA0_BA [10:0] ~ (DMA0_BA [10:0] + DMA0_LEN[5:0])						

25.2.5 DMA1_LEN (0x403D)

Bit	7	6	5	4	3	2	1	0
Name	RSV		DMA1_LEN					
Type	R	R	R/W	R/W	R/W	R/W	R/W	R/W
Reset	0	0	0	0	0	0	0	0
Bit	Name	Description						
[7:6]	RSV	Reserved						
[5:0]	DMA1_LEN	Transfer Length of DMA Channel 1 Read: The number of the bytes that is currently transferred by DMA Channel 1 (0 denotes the first byte) Write: XRAM data transfer length of DMA Channel 1 Note: It cannot be configured when Channel 1 is busy. When DMA0[ENDIAN] = 1 (low bytes are received or transmitted first) , it is recommended that DMA1_LEN be set to an odd number.						

25.2.6 DMA1_BA (0x4040, 0x4041)

DMA1_BAH (0x4040)								
Bit	7	6	5	4	3	2	1	0
Name	RSV				DMA1_BA[10:8]			
Type	R	R	R	R	R	R/W	R/W	R/W
Reset	0	0	0	0	0	0	0	0
DMA1_BAL (0x4041)								
Bit	7	6	5	4	3	2	1	0
Name	DMA1_BA[7:0]							
Type	R/W	R/W	R/W	R/W	R/W	R/W	R/W	R/W
Reset	0	0	0	0	0	0	0	0
Bit	Name	Description						
[15:11]	RSV	Reserved						
[10:0]	DMA1_BA	Start Address of Data Transfer by DMA Channel 1 Start address of XRAM data transfer by DMA Channel 1 It cannot be configured when Channel 1 is busy. Note: XRAM address space of Channel 1 data transfer: DMA1_BA[10:0] ~ (DMA1_BA [10:0] + DMA1_LEN[5:0])						

Note: When I2C is selected as DMA channel peripherals (including from I2C to XRAM and from XRAM to I2C) , START + Address interrupt of I2C communication still requires to be cleared to “0” by MCU software. In I2C slave mode, if STOP is received, I2C_SR[I2CSTP] = 0 is configured to clear I2C interrupt and restart the DMA transfer.

26 VREF

26.1 VREF Instructions

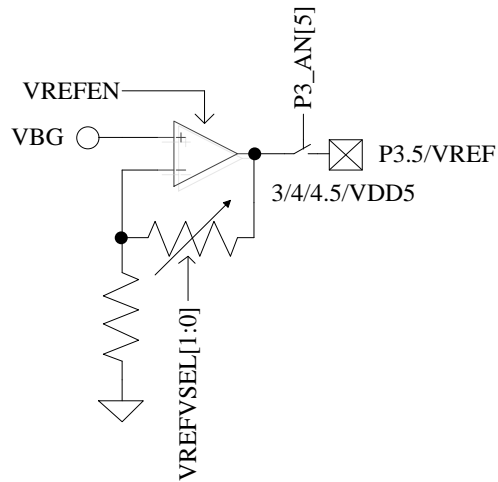


Figure 26-1 I/O Pins of VREF Module

The input and output ports of the VREF module are shown as above. VREF is the voltage reference generation block that provides internal voltage reference to ADC and DAC module. VBG is the voltage supplied by the chip internally.

VREF is enabled when VREF_CR[VREFEN] is set to “1”. The output voltage is selected by configuring VREF_CR[VREFVSEL]. When P3_AN[5] = 1 and P3_OE[5] = 1, VREF is output to P3.5 pin.

26.2 VREF Register

26.2.1 VREF_CR(0x404F)

Bit	7	6	5	4	3	2	1	0
Name	VREFVSEL		RSV	VREFEN	RSV			VHALFEN
Type	R/W	R/W	R	R/W	R	R	R	R/W
Reset	0	0	0	0	0	0	0	0
Bit	Name	Description						
[7:6]	VREFVSEL	VREF Module Output Voltage Select Bit 01: VDD5 00: 4.5V 11: 4V 10: 3V						
[5]	RSV	Reserved						
[4]	VREFEN	VREF Module Enable Bit 0: Disable. P3_AN[5] is set to “1”, and external VREF is input from P3.5 pin 1: Enable. P3_AN[5] is set to “1”, and internal VREF is output to P3.5 pin. An external 0.1μF ~ 1μF capacitor is added to improve the stability of VREF.						
[3:1]	RSV	Reserved						
[0]	VHALFEN	VHALF Enable 0: Disable 1: Enable						

27 VHALF

27.1 VHALF Instructions

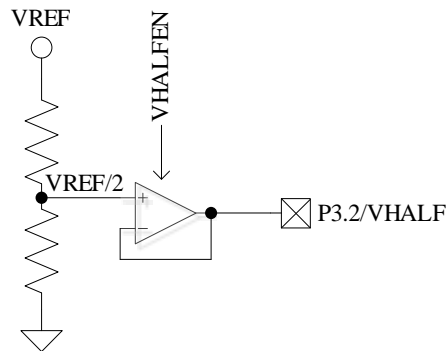


Figure 27-1 I/O Pins of VHALF Module

The input and output ports of VHALF module are shown as above. This module generates the voltage reference.

VHALF is enabled when VREF_CR[VHALFEN] is set to “1”, and the voltage is output to P3.2.

27.2 VHALF Register

See VREF_CR(0x404F) for details.

28 Operational Amplifier

28.1 Introduction

The chip integrates three high-speed independent operational amplifiers, AMP0, AMP1, and AMP2. Each operational amplifier has a separate enable bit. AMP0 can be configured as a programmable gain amplifier.

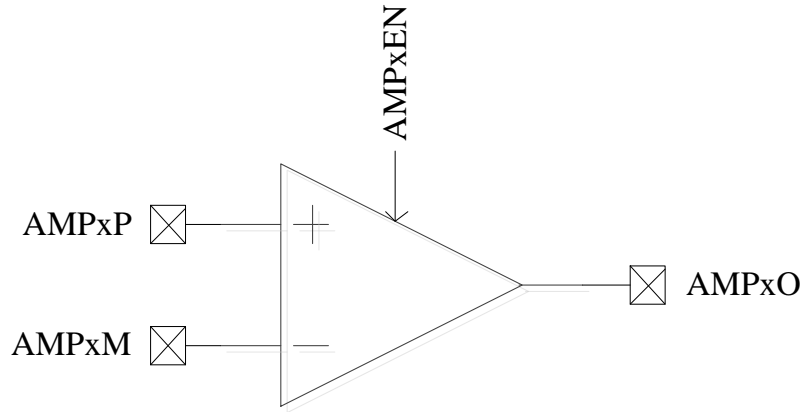


Figure 28-1 Schematic Diagram of Operational Amplifier Module

28.2 Operational Amplifier Instructions

28.2.1 Bus Current Sampling Operational Amplifier (AMP0)

AMP0 operates in two modes: normal mode, PGA differential input mode.

28.2.1.1 AMP0 Normal Mode

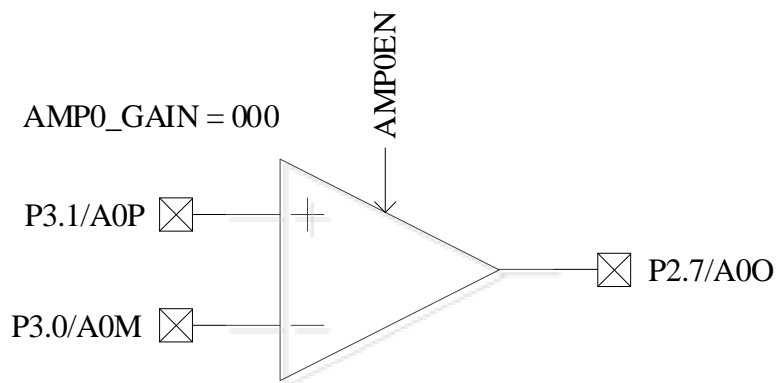


Figure 28-2 Bus Current AMP0

AMP0 is enabled when $AMP_CR[AMP0EN] = 1$.

The I/O pins of AMP0 are shown as above. Before AMP0 is enabled, P2.7, P3.0, and P3.1 shall be configured to analog signal mode, $P2_AN[7]=1$, and $P3_AN[1:0]=11$.

28.2.1.2 AMP0 PGA Differential Input Mode

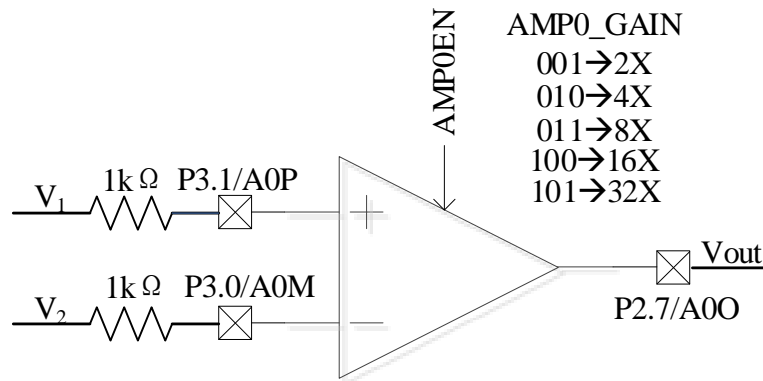


Figure 28-3 AMP0 Operating in PGA Differential Input Mode

As shown above, positive and negative inputs of AMP0 are connected with a 1kΩ resistor in the external circuit respectively.

When PGA differential Input Mode is selected for AMP0, the associated GPIO pins shall be configured to analog signal mode. The amplification gain is set by AMP0_GAIN, and AMP0 is enabled when AMP_CR0[AMP0EN] = 1.

The relation between output and input of operational amplifier:

$$V_{out} = V_{HALF} + (V_1 - V_2) * AMP0_GAIN.$$

28.2.2 Phase Current Operational Amplifier (AMP1/AMP2)

28.2.2.1 AMP1

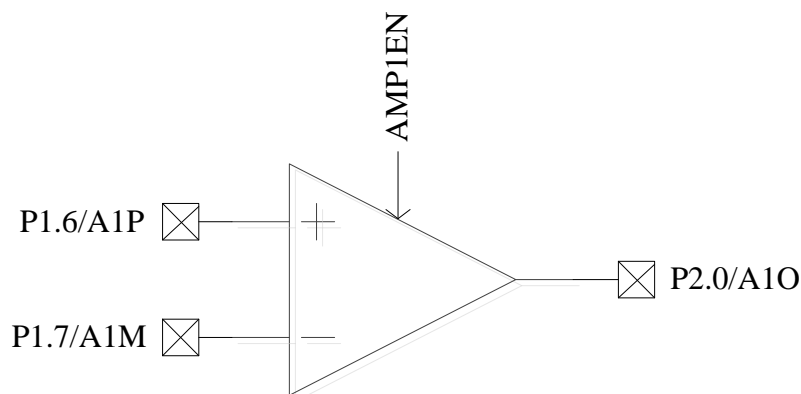


Figure 28-4 AMP1 I/O Pins

AMP1 is enabled when AMP_CR[AMP1EN]=1.

The I/O pins of AMP1 are shown as above. Before AMP1 is enabled, P1.6, P1.7 and P2.0 shall be configured to analog signal mode, P1_AN[7:6]=11 and P2_AN[0]=1.

28.2.2.2 AMP2

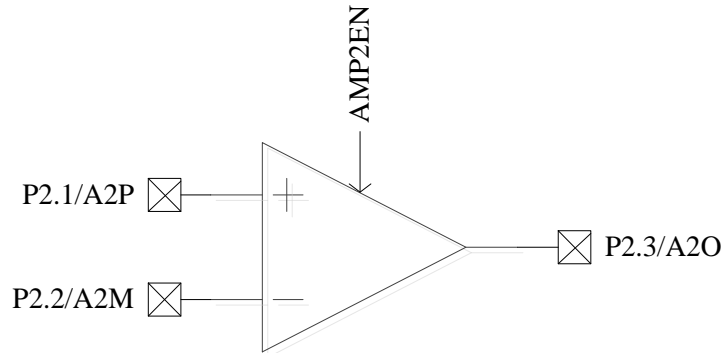


Figure 28-5 AMP2 I/O Pins

AMP2 is enabled when $CMP_CR[AMP2EN]=1$.

The I/O pins of AMP2 are shown as above. Before AMP2 is enabled, P2.1, P2.2 and P2.3 shall be configured to analog signal mode and $P2_AN[3:1]=111$.

28.3 Operational Amplifier Registers

28.3.1 AMP_CR (0x404E)

Bit	7	6	5	4	3	2	1	0
Name	RSV					AMP2EN	AMP1EN	AMP0EN
Type	R/W	R/W	R/W	R	R	R/W	R/W	R/W
Reset	0	0	0	0	0	0	0	0
Bit	Name	Description						
[7:3]	RSV	Reserved						
[2]	AMP2EN	AMP2 Enable 0: Disable 1: Enable						
[1]	AMP1EN	AMP1 Enable 0: Disable 1: Enable						
[0]	AMP0EN	AMP0 Enable 0: Disable 1: Enable						

28.3.2 AMP0_GAIN (0x4034)

Bit	7	6	5	4	3	2	1	0	
Name	RSV					AMP0_GAIN			
Type	R/W	R/W	R/W	R	R	R/W	R/W	R/W	
Reset	0	0	0	0	0	0	0	0	
Bit	Name	Description							
[2:0]	AMP0_GAIN	Amplification Gain Setting							
		AMP0_GAIN	Gain						
		000	By external circuit						
		001	2X						
		010	4X						
		011	8X						

		100	16X	
		101	32X	
		Others	Reserved	
	<p>Note: The built-in amplification is isotropic amplification. When the difference of input voltage is 0, the output voltage is VHALF. For other applications, AMP0_GAIN is set to "000" to select external circuit to configure the gain.</p>			

29 Comparator

29.1 Comparator Operations

29.1.1 CMP3

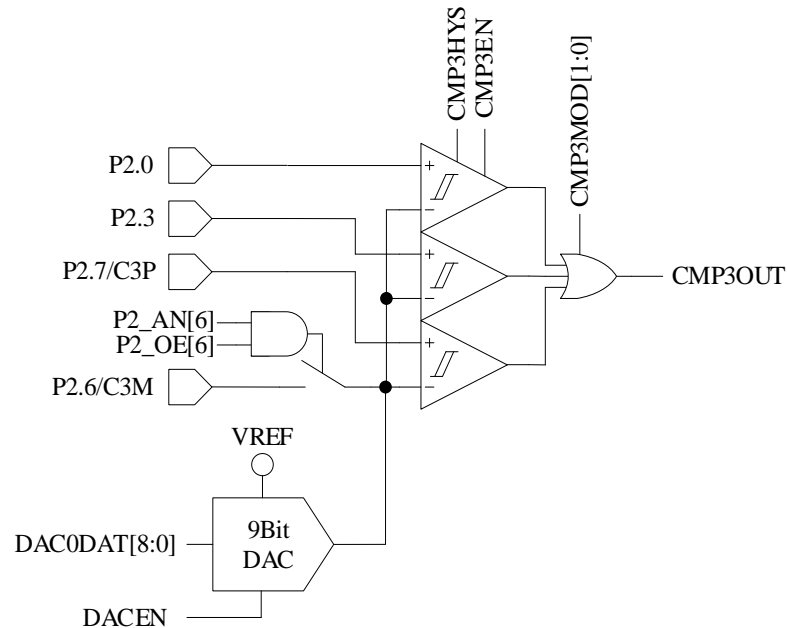


Figure 29-1 CMP3 I/O Pins

The I/O pins of CMP3 are shown as above.

CMP3 configurations:

1. Configure P2_AN[6] and P2_OE[6] to “1” to enable CMP3 and VREF on the negative input. The VREF source can be the on-chip DAC0 output voltage or the external circuit input voltage. Select DAC0 output, and place an external capacitance between P2.6 pin and GRND (the recommended capacitance value is 100pF, and the output voltage stabilizes after DAC0 output for a period of time);
2. Configure CMP_CR1[CMP3MOD] to select single comparator input, dual comparator input, or triple comparator input mode;
 - When CMP_CR1[CMP3MOD] = 00, CMP3 works in Single-comparator Input Mode. The connection of input and output pins are shown in Figure 29-2.
 - When CMP_CR1[CMP3MOD] = 01, CMP3 works in Dual-comparator Input Mode. The connection of input and output pins are shown in Figure 29-3.
 - When CMP_CR1[CMP3MOD] = 1X, CMP3 works in Three-comparator Input Mode. The connection of input and output pins are as shown in Figure 29-4.
3. Configure CMP_CR1[CMP3HYS] to enable or disable hysteresis;
4. Set CMP_CR1[CMP3EN] = 1 to enable CMP3.

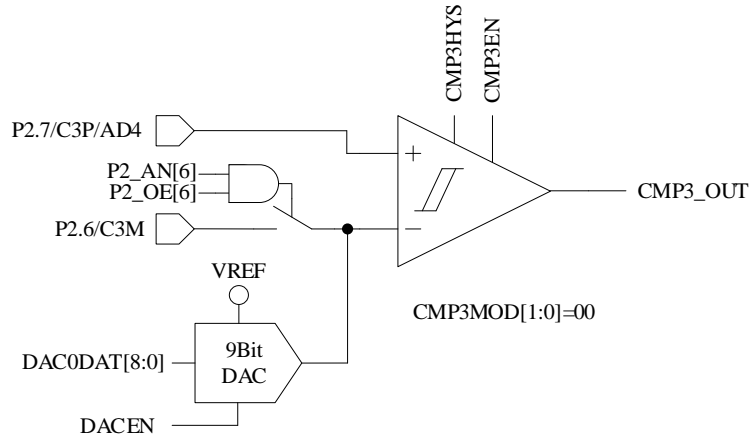


Figure 29-2 Single-comparator Input Mode

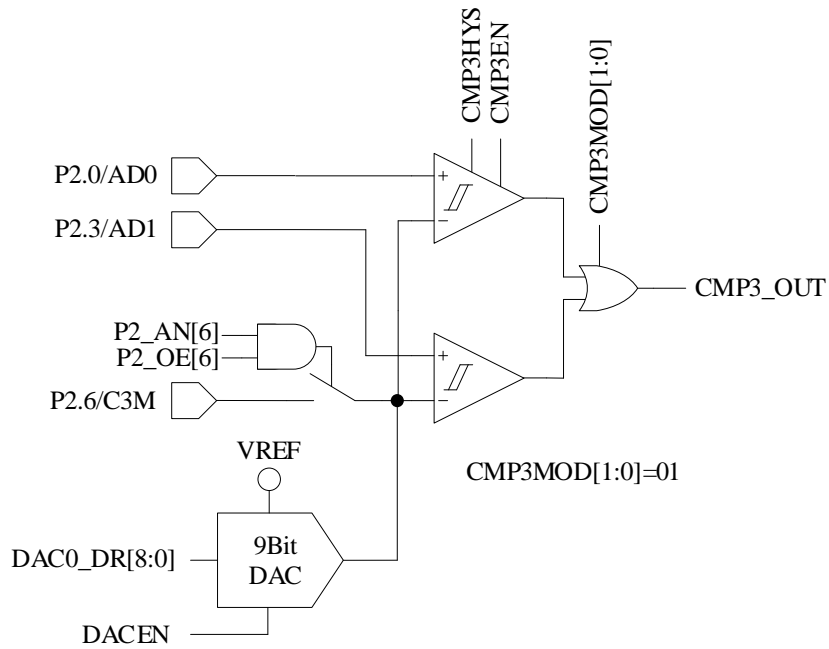


Figure 29-3 Dual-comparator Input Mode

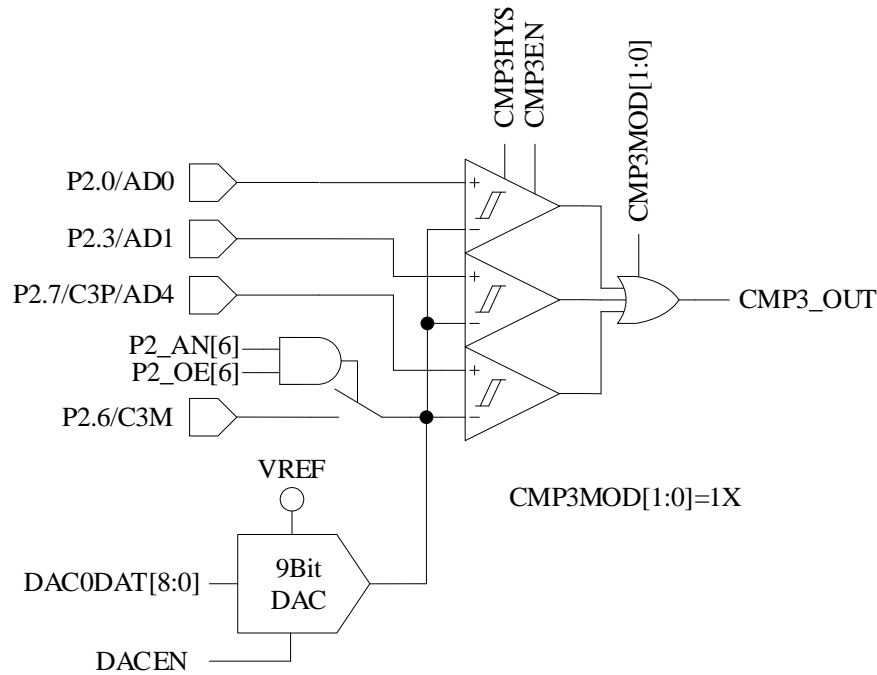


Figure 29-4 Triple-comparator Input Mode

29.1.1.1 Overcurrent Protection (OCP)

When an overcurrent protection signal is generated, DRV_OUT[MOE] is automatically cleared output idle voltage to stop motor drive for chip and motor protection. OCP feature is enabled when EVT_FILT[MOEMD]=01B, which automatically turns off the output and generates an OCP interrupt request if the current exceeds the threshold. When EVT_FILT [MOEMD]= 00, the output is not automatically turned off if the current exceeds the threshold. However, an OCP request is generated by the hardware.

The source of OCP interrupt is selected by configuring CMP3 interrupt (EVT_FILT[EFSRC]) or external interrupt INT0. When EVT_FILT[EFSRC]=1, TCON[IT0] bit is programmed to select the trigger edge of the external interrupt INT0 which generates an OCP output. At this time, the source of OCP interrupt is INT0. When EVT_FILT[EFSRC]=0 and CMP_CR0[CMP3IM] = 11, the OCP output is generated on the rising edge of CMP3.

Configuring EVT_FILT[EFDIV] enables the filtering of interrupt signals for OCP, and programming EVT_FILT[EFDIV]=01/10/11 selects filter width of 4/8/16 clock cycles. When the filtering feature is enabled, the filtered signal is delayed by 4~5/8~9/16~17 clock cycles compared to the signal before filtering.

29.1.1.2 Cycle-by-cycle Current Limiting

The cycle-by-cycle current limiting feature is applied to square-wave-based drive control of BLDC motors. When an OCP event occurs, DRV_OUT[MOE] is set to “1” after it has been cleared to “0” for a period of time, so that the motor drive is automatically restored. When CMP_CR0[CMP3IM]=11, DRV_OUT[MOE] is cleared to “0” on the rising edge of CMP3OUT to protect the motor. When

EVT_FILT[MOEMD]=10, the outputs are automatically turned off upon an OCP interrupt. DRV_OUT[MOE] is enabled automatically upon Driver counter overflow/underflow events or after 10 μ s to restore motor drive. When EVT_FILT[MOEMD]=11, the outputs are automatically turned off upon an OCP interrupt, DRV_OUT[MOE] is enabled automatically upon Driver counter overflow/underflow events or after 5 μ s to restore motor drive.

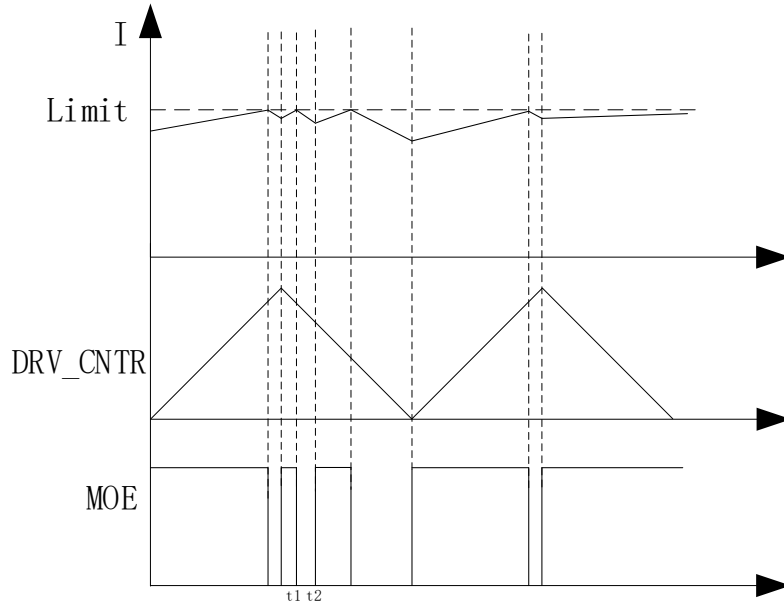


Figure 29-5 Cycle-by-cycle Current Limiting Waveform ($t_2 - t_1 = 10\mu\text{s}$) when EVT_FILT[MOEMD] = 10

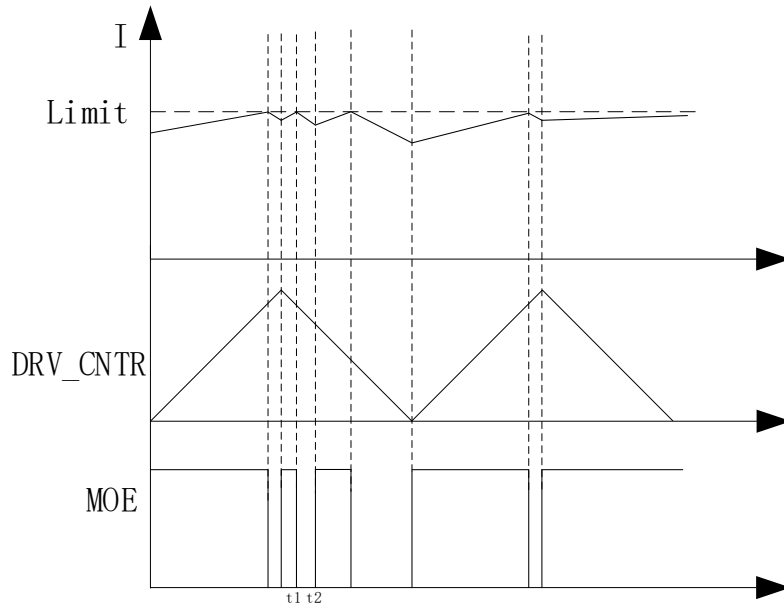


Figure 29-6 Cycle-by-cycle Current Limiting Waveform ($t_2 - t_1 = 5\mu\text{s}$) when EVT_FILT[MOEMD] = 11

29.1.2 CMP4

CMP4 is a hysteresis comparator, as shown in the figure below. CMP4OUT can be read by software or reversed on external interrupt INT0. When CMP3 is used for cycle-by-cycle current limiting protection, CMP4 is used for bus current protection. When bus current OCP feature of CMP4 is triggered, output must be turned off by software.

CMP4 configurations:

1. Configure P2_AN[3] and P2_OE[3] to “1” to enable VREF on the positive input of CMP4. The VREF source can be the on-chip DAC1 output voltage or the external circuit input voltage. Select DAC1 output, and place an external capacitance between P2.3 pin and GND (the recommended capacitance value is 100pF, and the output voltage stabilizes after DAC1 output for a period of time);
2. Configure P2_AN[7] = 1 to assign P2.3 and P2.7 pin to analog signal;
3. Configure CMP_CR2[CMP4EN] = 1 to enable CMP4;
4. Clear INT0 flag bit to enable INT0;
5. Set LVSR[EXT0CFG] = 111 to select CMP4 as the source of INT0;

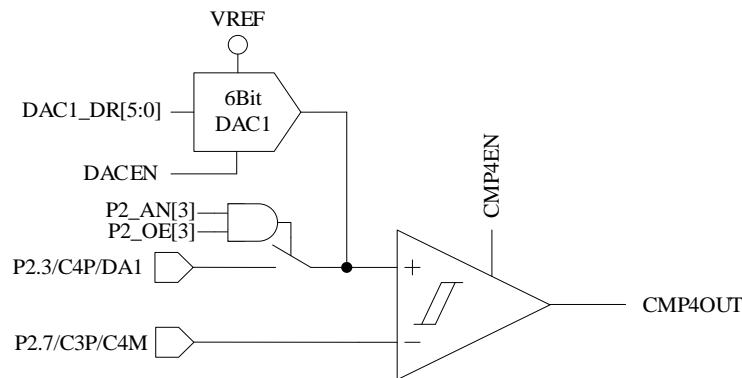


Figure 29-7 Schematic Diagram of CMP4 Module

29.1.3 Comparator Group (CMPG)

Comparator Group (CMPG) is a collection of CMP0, CMP1 and CMP2, with multiple comparison modes for different applications.

When CMP_CR2[CMP0MOD] = 00, CMPG works in the mode of three comparators without built-in resistance. The I/O pins are shown in the below figure. It is used for BEMF detection with the external virtual neutral point resistors. The negative inputs of the three comparators are connected together to P1.5 pin, and the positive inputs are connected to P1.4, P1.6 and P2.1 respectively. The outputs are CMP0OUT, CMP1OUT and CMP2OUT respectively.

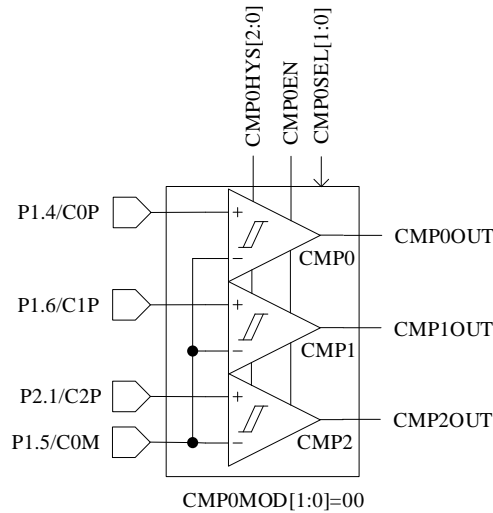


Figure 29-8 CMPG Mode without Three Built-in Comparators

When $CMP_CR2[CMP0MOD] = 01$, CMPG works in the mode of three comparators with built-in resistance. It is used for BEMF detection with the internal virtual neutral point resistors. The input port is selected by setting the functional switching bit $CMP_CR4[CMP0FS]$.

When $CMP_CR4[CMP0FS] = 00$, the negative inputs of the three comparators are connected together to the center point of the built-in resistor. The positive inputs are connected to P1.4, P1.6 and P2.1 respectively, and the outputs are CMP0OUT, CMP1OUT and CMP2OUT respectively.

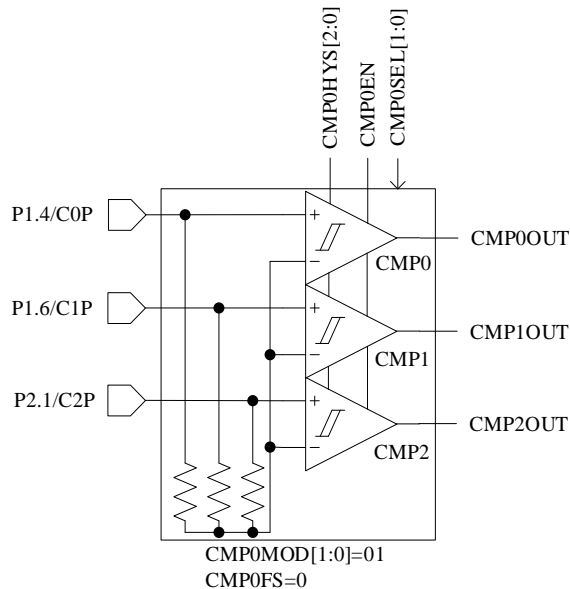


Figure 29-9 CMPG Mode with Built-in Resistor without Functional Switching

When $CMP_CR4[CMP0FS] = 01$, the negative inputs of the three comparators are connected together to the center point of the built-in resistor. The positive inputs are connected to P1.4, P1.3 and P1.5 respectively, and the outputs are CMP0OUT, CMP1OUT and CMP2OUT respectively.

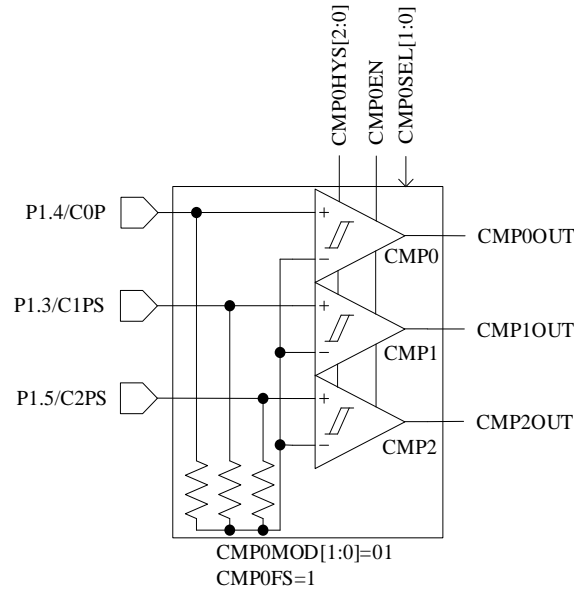


Figure 29-10 CMPG Mode with Built-in Three Comparators (with functional transition)

When $CMP_CR2[CMP0MOD] = 10$, the differential three comparator mode is selected for the differential Hall sensor to detect the motor rotor position. The input and output pins are shown in the below figure. The negative inputs of the three comparators are respectively connected to P1.5, P1.7 and P2.2, and the positive inputs are respectively connected to P1.4, P1.6 and P2.1. The outputs are CMP0OUT, CMP1OUT and CMP2OUT respectively.

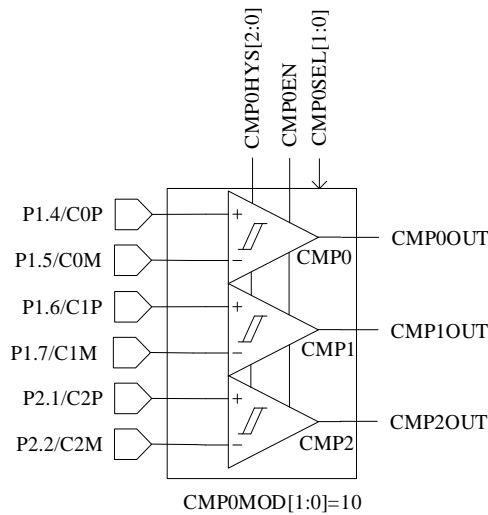


Figure 29-11 Three Differential Comparator Mode

When $CMP_CR2[CMP0MOD]=11$, dual-comparator Mode is selected for motor speed detection. The I/O pins are shown in the below figure. The negative inputs of the two comparators are connected together to P1.5, and the positive inputs are connected to P1.4 and P1.3 respectively. The outputs are CMP0OUT and CMP1OUT respectively.

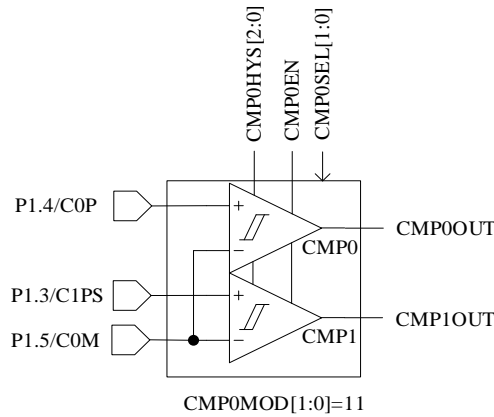


Figure 29-12 Dual-comparator Mode

The output signals of CMP0/CMP1/CMP2 are sent to Timer1 after filtering and sampling modules.

29.1.4 Comparator Sampling

The comparator sampling feature is mainly used for the square-wave control and RSD, which eliminates the switching interference from driving circuit. See section 15.1.2.2 for square-wave control and section 16.1.7.1 for RSD.

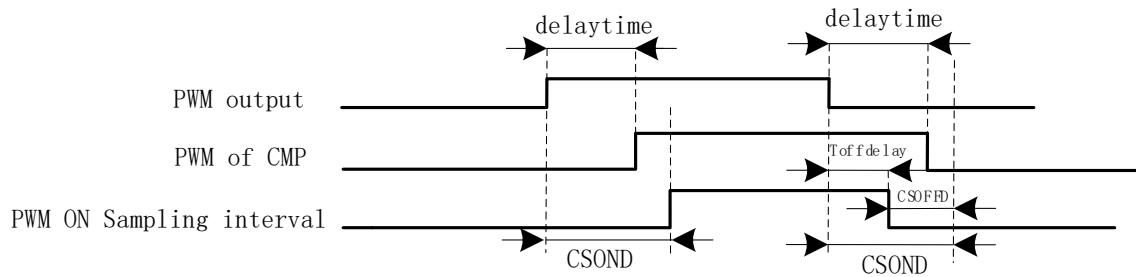


Figure 29-13 PWM ON Sampling Mode

There is a delay from the PWM output to the output of the comparator, which is mainly affected by the following factors: resistance value of drive resistor, switching speed of the power device, and input delay and hysteresis settings of the comparator. As shown in the above figure, the delaytime is from the chip output to the comparator output. When high-level sampling is performed, the sampling interval shall be enveloped by actual high-level output of the comparator. First, the sampling ON-delayed time $CMP_SAMR[CSOND]$ is set to overcome the output delay and the oscillation interval of the power device. At the end of the sampling interval, $CMP_SAMR[CSOND]$ is delayed after the falling edge of PWM, at which time the actual sampling window has exceeded the corresponding high-level interval. The sampling OFF-lead time $CMP_SAMR[CSOFFD]$ is set to stop sampling $Toffdelay$ after the PWM output falling edge, where $Toffdelay = CMP_SAMR[CSOND] - CMP_SAMR[CSOFFD]$.

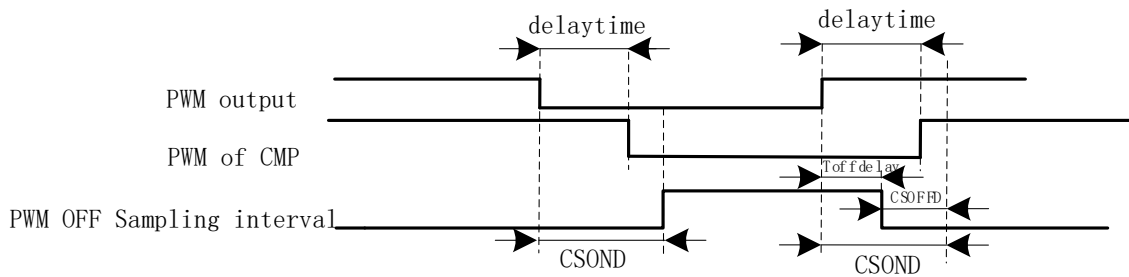


Figure 29-14 PWM OFF Sampling Mode

Similarly, when low-level sampling is performed, the sampling ON-delayed time $CMP_SAMR[CSOND]$ and the sampling OFF-lead time $CMP_SAMR[CSOFFD]$ are set reasonably to ensure that the actual sampling interval is located in the actually low-level output interval of the comparator.

Method for measuring the delay of PWM output to comparator: Set $CMP_CR3[SAMSEL] = 00$ to disable the comparator sampling delay feature. Set $CMP_CR3[CMPSSEL]$ to select the corresponding comparator output to test pin P0.7. Enable the PWM output and comparator, manually rotate the motor to change the comparator value, and measure the delay between the PWM output and the comparator output.

29.1.5 Comparator Output

$CMP_CR3[CMPSSEL]$ is configured to output results of one comparator to P0.7.

29.2 Compare Registers

29.2.1 CMP_CR0(0xD5)

Bit	7	6	5	4	3	2	1	0
Name	CMP3IM		CMP2IM		CMP1IM		CMP0IM	
Type	R/W	R/W	R/W	R/W	R/W	R/W	R/W	R/W
Reset	0	0	0	0	0	0	0	0
Bit	Name	Description						
[7:6]	CMP3IM	CMP3 Interrupt Mode 00: No interrupt is generated. 01: An interrupt is generated upon rising edge 10: An interrupt is generated upon falling edge 11: When a rising edge is detected, DRV_OUT[MOE] is cleared to “0”, and the interrupt event flag bit CMP_SR[CMP3IF] is set to “1”. However, the interrupt is not enabled. (Note: In the Cycle-by-cycle Current Limiting mode, EVT_FILT[MOEMD] must be set to 10/11).						
[5:4]	CMP2IM	CMP2 Interrupt Mode See descriptions on CMP_CR0[CMP0IM].						
[3:2]	CMP1IM	CMP1 Interrupt Mode See descriptions on CMP_CR0[CMP0IM].						
[1:0]	CMP0IM	CMP0 Interrupt Mode 00: No interrupt is generated. 01: An interrupt is generated upon rising edge 10: An interrupt is generated upon falling edge 11: An interrupt is generated upon both rising/falling edges						

29.2.2 CMP_CR1(0xD6)

Bit	7	6	5	4	3	2	1	0
Name	HALLSEL	CMP3MOD		CMP3EN	CMP3HYS	CMP0HYS		
Type	R/W	R/W	R/W	R/W	R/W	R/W	R/W	R/W
Reset	0	0	0	0	0	0	0	0
Bit	Name	Description						
[7]	HALLSEL	Hall Signal Input Selection 0: P0.2/P3.7/P3.6 1: P1.4/P1.6/P2.1						
[6:5]	CMP3MOD	CMP Mode Select Bit Negative input connected to P2.6 or DAC0 output 00: Single-comparator mode, where P2.7 is connected to the positive input, as shown in Figure 29-2. 01: Dual-comparator mode, where P2.0 and P2.3 are connected to the positive input, as shown in Figure 29-3. 1X: Three-comparator mode, where P2.0, P2.3 and P2.7 are connected to the positive input, as shown in Figure 29-4.						
[4]	CMP3EN	CMP3 Enable 0: Disable 1: Enable						

[3]	CMP3HYS	CMP3 Hysteresis Voltage Select Bit 0: No hysteresis 1: 15mv	
[2:0]	CMP0HYS	CMP0/1/2 Hysteresis Voltage Select	
		CMP0HYS	Hysteresis Voltage
		000	No Hysteresis
		001	$\pm 2.5\text{mV}$
		010	-5mV
		100	+5mV
		011	$\pm 5\text{mV}$
		101	-10mV
		110	+10mV
111	$\pm 10\text{mV}$		

29.2.3 CMP_CR2(0xDA)

Bit	7	6	5	4	3	2	1	0
Name	CMP4EN	CMP0MOD		CMP0SEL		RSV		CMP0EN
Type	R/W	R/W	R/W	R/W	R/W	R/W		R/W
Reset	0	0	0	0	0	0	0	0
Bit	Name	Description						
[7]	CMP4EN	CMP4 Enable 0: Disable 1: Enable						
[6:5]	CMP0MOD	CMPG Mode Setting						
		CMP0MOD	Mode					
		00	CMPG Mode without built-in three comparators, as shown in Figure 29-8.					
		01	CMPG Mode with built-in three comparators, where functional switching is selected by configuring CMP_CR4[CMP0FS], as shown in Figure 29-9 and Figure 29-10.					
		10	CMPG Mode with three differential comparators, as shown in Figure 29-11.					
11	Dual-comparator mode, where only CMP0 and CMP1 work, as shown in Figure 29-12.							
[4:3]	CMP0SEL	CMPG Pin Combination Select Bit, used with CMP_CR2[CMP0MOD] bit. It is set to 00 by default. In square-wave drive application, TIM1_DBRx[T1CPE] automatically controls CMP_CR2[CMP0SEL] to enable or disable each comparator.						
		CMP0MOD	CMP0SEL	Description				
		00	00	CMP0/1/2 work simultaneously. The negative input of these comparators are connected to COM. The hardware automatically compares the positive inputs C0P, C1P and C2P with COM, and the output results are transferred to CMP0OUT, CMP1OUT and CMP2OUT respectively.				
		01	Only CMP0 works. The positive input is connected to C0P, and the negative input to COM. The output results are transferred to CMP0OUT.					

			10	Only CMP1 works. The positive input is connected to C1P, and the negative input to C0M. The output results are transferred to CMP1OUT.
			11	Only CMP2 works. The positive input is connected to C2P, and the negative input to C0M. The output results are transferred to CMP2OUT.
		01	00	CMP0/1/2 work simultaneously. The negative inputs of these 3 comparators are connected to the center of built-in resistor. When CMP_CR4[CMP0FS] = 0, the hardware automatically compares the positive inputs C0P, C1P and C2P with C0M. When CMP_CR4[CMP0FS] = 1, the hardware automatically compares the positive inputs C0P, C1PS and C2PS with C0M. The output results are transferred to CMP0OUT, CMP1OUT and CMP2OUT respectively.
			01	Only CMP0 works. The positive input is connected to C0P, and the negative input to the center of BEMF built-in resistor. The output results are transferred to CMP0OUT pin.
			10	Only CMP1 works. When CMP_CR4[CMP0FS] = 0, the positive input is connected to C1P, and when CMP_CR4[CMP0FS] = 1, it is connected to C1PS. The negative input is connected to the center of BEMF built-in resistor. The output results are transferred to CMP1OUT.
			11	Only CMP2 works. When CMP_CR4[CMP0FS] = 0, the positive input is connected to C2P, and when CMP_CR4[CMP0FS] = 1, it is connected to C2PS. The negative input is connected to the center of BEMF built-in resistor. The output results are transferred to CMP2OUT.
			00	CMP0/1/2 work simultaneously. The positive inputs of these comparators are connected to C0P, C1P and C2P pins respectively, and the negative inputs are connected to C0M, C1M and C2M pins respectively. The output results are transferred to CMP0OUT, CMP1OUT and CMP2OUT respectively.
		10	01	Only CMP0 works. The positive input is connected to C0P, and the negative input to C0M, and the output results are transferred to CMP0OUT.
			10	Only CMP1 works. The positive input is connected to C1P, and the negative input to C1M. The output results are

				transferred to CMP1OUT.
			11	CMPG selects the associated CMP2 pin combinations. The positive input is connected to C2P, and the negative input to C2M pin. The output results are transferred to CMP2OUT.
		11	00	CMP0/1 work simultaneously. The positive inputs are connected to COP and C1PS respectively, and the negative inputs to COM. The outputs results are transferred to CMP0OUT and CMP1OUT respectively.
			01	Only CMP0 works. The positive input is connected to COP, and the negative input to COM. The output results are transferred to CMP0OUT pin.
			10	Only CMP1 works. The positive input is connected to C1PS, and the negative input to COM. The output results are transferred to CMP1OUT.
			11	Reserved
[2:1]	RSV	Reserved		
[0]	CMP0EN	CMPG0 Enable 0: Disable 1: Enable		

29.2.4 CMP_CR3(0xDC)

Bit	7	6	5	4	3	2	1	0
Name	RSV	DBGSEL		SAMSEL		CMPSEL		
Type	R/W	R/W	R/W	R/W	R/W	R/W	R/W	R/W
Reset	0	0	0	0	0	0	0	0
Bit	Name	Description						
[7]	RSV	Reserved						
[6:5]	DBGSEL	Debug Output Select Bit, connected to P0.1 pin 00: Debug Output Disabled 01: Freewheeling shielding is completed and ZCP signal is detected 10: ADC Trigger Signal 11: Comparator Sampling Interval						
[4:3]	SAMSEL	Enable Sampling Delay of CMP0, CMP1, CMP2 and ADC in PWM ON/OFF Modes 00: Sampling at both PWM ON and OFF modes without delay 01: Sampling at PWM OFF only, with delay according to CMP_SAMR 10: Sampling at PWM ON only, with delay according to CMP_SAMR 11: Sampling at both PWM ON and OFF, with delay according to CMP_SAMR						
[2:0]	CMPSEL	Comparator Output Select Bit Output signals of one selected comparator to P0.7, which can be used for debugging. 000: No output 001: CMP0 010: CMP1						

		011: CMP2 100: CMP3 101: CMP4 111: Omega Start Flag (Estimator Output Angle Flag, see section 14.1.9.3 for details)
--	--	--

29.2.5 CMP_CR4(0xE1)

Bit	7	6	5	4	3	2	1	0
Name	CMP4OUT	RSV				FAEN	CMP0FS	RSV
Type	R	R				R/W	R/W	R
Reset	1	0				0	0	0
Bit	Name	Description						
[7]	CMP4OUT	CMP4 Output						
[6:3]	RSV	Reserved						
[2]	FAEN	Filtered Signal Sampling Coefficient Scale-up Enable After this feature is enabled, the base clock rates of TIM1_CR3[T1INM] and CMP_SAMR are scaled up by 4 times. 0: Disable 1: Enable						
[1]	CMP0FS	CMP1/CMP2 Functional Switching 0: Disable. 1: Enable. Valid only when CMP_CR2[CMP0_MOD] = 01.						
[0]	RSV	Reserved						

29.2.6 CMP_SAMR(0x40AD)

Bit	7	6	5	4	3	2	1	0
Name	CSOND				CSOFFD			
Type	R/W	R/W	R/W	R/W	R/W	R/W	R/W	R/W
Reset	0	0	0	0	0	0	0	1
Bit	Name	Description						
[7:4]	CSOND	CMP0/CMP1/CMP2 ON-delayed Sampling Time When PWM module switches from OFF to ON or from ON to OFF, turn-on/off of the power device affects input signal of the comparator. In this case, CMP_SAMR[CSOND] is configured to delay the sampling of CMP0/CMP1/CMP2. The On-delayed sampling time can be multiplied by 4 times by setting CMP_CR4[FAEN]. CMP_CR4[FAEN] = 0: ON-delayed sampling time = $8 * \text{CMP_SAMR}[\text{CSOND}] * T$ CMP_CR4[FAEN] = 1: ON-delayed sampling time = $32 * \text{CMP_SAMR}[\text{CSOND}] * T$ Note: <ul style="list-style-type: none"> ■ CMP_SAMR[CSOND] value must be greater than or equal to CMP_SAMR[CSOFFD] value. ■ See section Sampling for BLDC drive application. ■ See section RSD Comparator Sampling for RSD application. 						

[3:0]	CSOFFD	<p>CMP0/CMP1/CMP2 OFF-lead Sampling Time</p> <p>CMP_SAMR[CSOND] is configured to end the sampling CMP_SAMR[CSOND] - CMP_SAMR[CSOFFD] after the back edge of PWM output to ensure sampling interval enveloped by the PWM interval. OFF-lead sampling time can be multiplied by 4 times by setting CMP_CR4[FAEN].</p> <p>CMP_CR4[FAEN] = 0: OFF-lead sampling time = $8 * \text{CMP_SAMR[CSOFFD]} * T$ CMP_CR4[FAEN] = 1: OFF-lead sampling time = $32 * \text{CMP_SAMR[CSOFFD]} * T$</p> <p>Note:</p> <ul style="list-style-type: none"> ■ CMP_SAMR[CSOND] value must be greater than or equal to CMP_SAMR[CSOFFD] value. ■ See section Sampling for BLDC drive application. ■ See section RSD Comparator Sampling for RSD application.
-------	--------	---

29.2.7 CMP_SR(0xD7)

Bit	7	6	5	4	3	2	1	0
Name	CMP3IF	CMP2IF	CMP1IF	CMP0IF	CMP3OUT	CMP2 OUT	CMP1 OUT	CMP0 OUT
Type	R/W0	R/W0	R/W0	R/W0	R	R	R	R
Reset	0	0	0	0	0	0	0	0

Bit	Name	Description
[7]	CMP3IF	CMP3 Interrupt Flag Read: 0: No Interrupt Pending 1: Interrupt Pending Write: 0: This bit is cleared to “0”. 1: No effect
[6]	CMP2IF	CMP2 Interrupt Flag Read: 0: No Interrupt Pending 1: Interrupt Pending Write: 0: This bit is cleared to “0”. 1: No effect
[5]	CMP1IF	CMP1 Interrupt Flag Read: 0: No Interrupt Pending 1: Interrupt Pending Write: 0: This bit is cleared to “0”. 1: No effect
[4]	CMP0IF	CMP0 Interrupt Flag Read: 0: No Interrupt Pending 1: Interrupt Pending Write: 0: This bit is cleared to “0”. 1: No effect

[3]	CMP3OUT	CMP3 comparison result
[2]	CMP2OUT	CMP2 comparison result
[1]	CMP1OUT	CMP1 comparison result
[0]	CMP0OUT	CMP0 comparison result

29.2.8 EVT_FILT(0xD9)

Bit	7	6	5	4	3	2	1	0
Name	RSV			MOEMD		EFSRC	EFDIV	
Type	R	R	R	R/W	R/W	R/W	R/W	R/W
Reset	0	0	0	0	0	0	0	0
Bit	Name	Description						
[7:5]	RSV	Reserved						
[4:3]	MOEMD	MOE Cleared and Enabled by Hardware MOE is cleared and enabled by hardware upon over-/under-current protection event. 00: MOE is not automatically cleared. 01: MOE is automatically cleared. 10: MOE is automatically cleared and enabled by hardware upon Driver counter overflow/underflow events or after 10 μ s (for square-wave drive). 11: MOE is automatically cleared and enabled automatically upon Driver counter overflow/underflow events or after 5 μ s (for square-wave drive).						
[2]	EFSRC	MOE OFF triggered by INT0 Interrupt 0: Disable 1: Enable						
[1:0]	EFDIV	Filter width for Current Protection 00: Not to filter 01: 4 system clock cycles 10: 8 system clock cycles 11: 16 system clock cycles						

29.2.9 TSD_CR(0x402F)

Bit	7	6	5	4	3	2	1	0
Name	TSDEN	RSV			TSDADJ			
Type	R/W	R	R	R	R/W	R/W	R/W	R/W
Reset	0	0	0	0	1	1	1	1
Bit	Name	Description						
[7]	TSDEN	Temperature detection feature enable 0: Disable 1: Enable						
[6:4]	RSV	Reserved						
[3:0]	TSDADJ	Overtemperature value (chip junction temperature) 0000: 71°C 0001: 75°C 0010: 80°C 0011: 84°C 0100: 89°C 0101: 94°C 0110: 99°C 0111: 105°C 1000: 111°C 1001: 116°C 1010: 123°C 1011: 131°C 1100: 136°C 1101: 142°C 1110: 150°C 1111: Reserved						

30 Power Supply

30.1 LDO

The chip contains two internal LDO output modules: VDD5 and VDD18.

30.1.1 LDO Operations

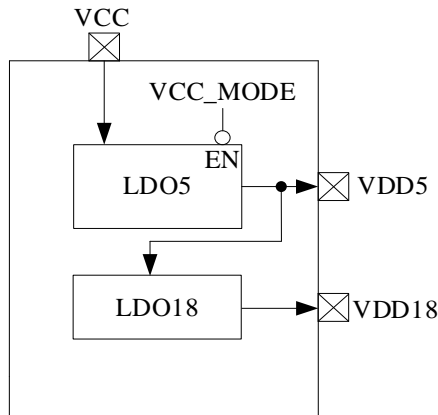


Figure 30-1 Functional Block Diagram of Power Supply

The I/O pins of LDO module is shown as above. The LDO module converts the input supply voltage to 5V (VDD5) and 1.8V (VDD18) as the power supply for built-in analog and digital modules of the chip respectively. Internal LDO5 or external supply for VDD5 is selected by configuring VCC_MODE. As shown in Figure 30-2, VCC_MODE = 0 if VCC_MODE is unchecked, where internal LDO supplies VDD5 voltage; and VCC_MODE = 1 if VCC_MODE is checked, where external 5V power supply is connected to VDD5 pin.

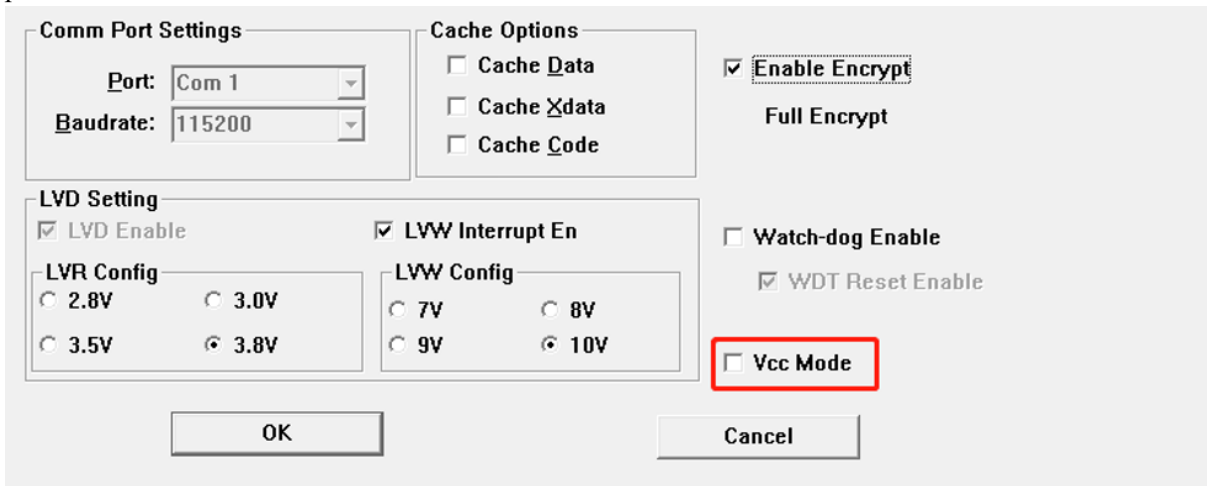


Figure 30-2 VCC_MODE Configurations for FU6816Q1

30.2 Low Voltage Detector (LVD)

30.2.1 LVD Introduction

The low voltage detector has two main features: low voltage warning and low voltage reset.

30.2.2 LVD Operations

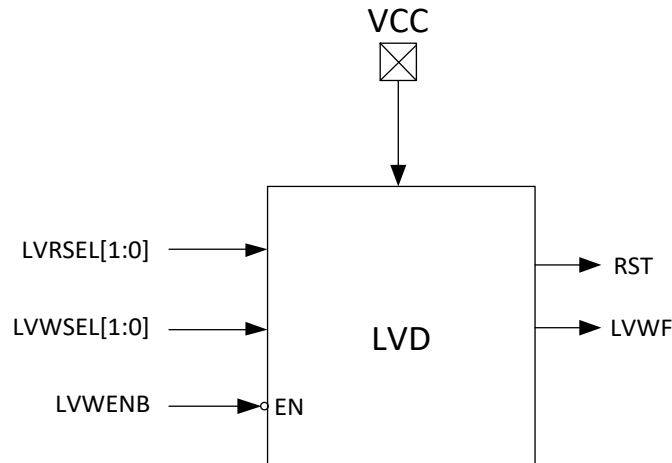


Figure 30-3 LV Detection Module

The operating instructions for LVD are as follows:

- LV warning and LV reset are always enabled by default.
- 7/8/9/10V can be selected for LV warning threshold. When the interrupt feature is enabled, an interrupt is triggered if VCC voltage is lower than the LV warning threshold.
- 2.8/3.0/3.5/3.8V can be selected for the LV warning threshold. The chip resets when VCC voltage is lower than the LV reset voltage threshold.

LV warning threshold, interrupt settings and LV reset threshold are configured through the debug tool, as shown in Figure 30-4.

LVR Config sets low voltage reset threshold, LVW Interrupt En enables low voltage interrupt, and LVW Config sets low voltage warning threshold.

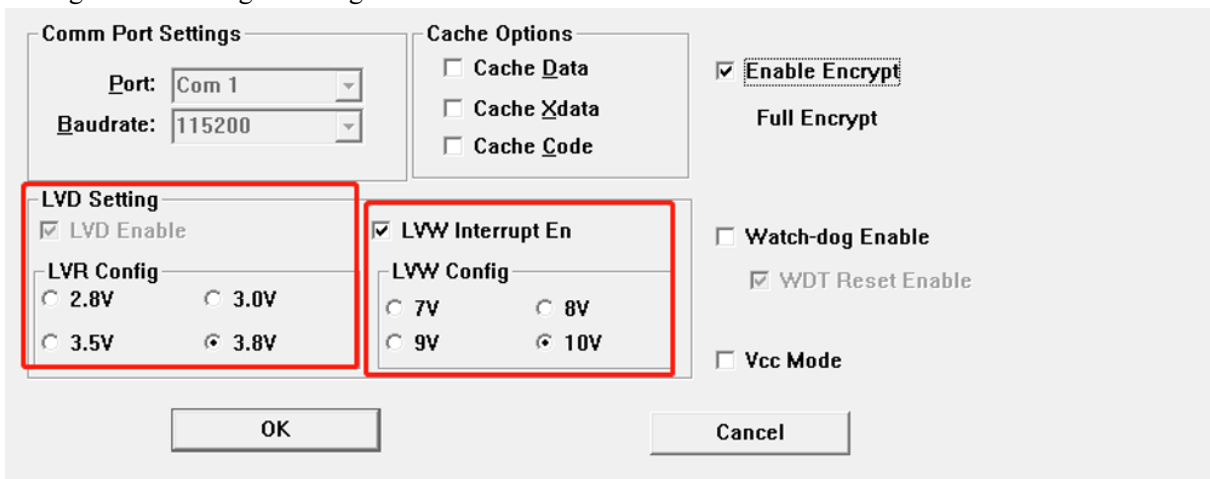


Figure 30-4 Configurations of LV Reset Threshold, LV Interrupt and LV Warning Threshold

30.2.3 LVD Registers

30.2.3.1 LVSR(0xDB)

Bit	7	6	5	4	3	2	1	0
Name	RSV		EXT0CFG			TSDF	LVWF	LVWIF
Type	R	R	R/W	R/W	R/W	R	R	R/W
Reset	0	0	0	0	0	0	0	0
Bit	Name	Description						
[7:6]	RSV	Reserved						
[5:3]	EXT0CFG	INT0 Pin Select Bit 000: P0.0 001: P0.1 010: P0.2 011: P0.3 100: P0.4 101: P0.5 110: P0.6 111: CMP4 Output						
[2]	TSDF	Over-temperature State Indicator 0: The current temperature does not exceed the threshold 1: The current temperature exceeds the threshold Note: This flag bit often works with the TSD interrupt flag TCON[5]						
[1]	LVWF	VCC Low Voltage Flag This bit indicates whether the chip is in the low voltage state 0: There is no low voltage warning 1: There is a low voltage warning						
[0]	LVWIF	VCC Low Voltage Interrupt Flag Read: 0: No interrupt pending 1: Interrupt pending Write: 0: This bit is cleared to 0 1: No effect Note: This bit is not be set to 1 when the LVD interrupt is disabled.						

31 Flash

31.1 Flash Introduction

The chip provides 16k bytes of on-chip Flash space. It supports chip erase/write and sector erase/write.

Features:

- There are 128 sectors in total, each with a size of 128 bytes.
- The last sector (address range: 0x3F80 to 0x3FFF) cannot be erased at any moment.
- Sector erase and chip erase takes about 120ms ~ 150ms.

31.2 Flash Operations

- All interrupts must be disabled before self-programming to ensure the security of Flash operations and avoid misoperation of Flash using MOVX instruction during interrupt processing.
- Flash memory must be unlocked before erase and programming operations. The Flash software programming feature is activated after “0x5A” and “0x1F” are written to register FLA_KEY in sequence. If the sequence is incorrect or other values are written, Flash space is frozen until the next reset. After unlocking, any write to the FLA_CR register causes the FLA_KEY to be locked again.
- CRC results change if Flash memory is rewritten during program execution.

31.3 Flash Register

31.3.1 FLA_CR (0x85)

Bit	7	6	5	4	3	2	1	0
Name	RSV	RSV		FLAERR	FLAACT	FLAPRE	FLAERS	FLAEN
Type	R	R	R	R	R/W	R/W	R/W	R/W
Reset	0	0	0	0	0	0	0	0
Bit	Name	Description						
[7]	RSV	Reserved						
[6:5]	RSV	Reserved						
[4]	FLAERR	Programming Error Flag 0: Programming or pre-programming succeeds. 1: Programming or pre-programming fails.						
[3]	FLAACT	Flash Erase/Write Enable 0: Disable 1: Enable. Flash starts operations, including programming, erase etc.						
[2]	FLAPRE	Pre-programming Enable 0: Disable 1: Enable Note: FLA_CR[FLAPRE] is valid only when FLA_CR[FLAEN] = 1.						
[1]	FLAERS	Sector Erase Enable 0: Disable 1: Enable Note: FLA_CR[FLAERS] is valid only when FLA_CR[FLAEN] = 1.						
[0]	FLAEN	Programming Enable 0: Disable 1: Enable						

31.3.2 FLA_KEY (0x84)

Bit	7	6	5	4	3	2	1	0
Name	FLA_KEY							
Name	RSV						FLAKSTA	
Type	R/W	R/W	R/W	R/W	R/W	R/W	R/W	R/W
Reset	0	0	0	0	0	0	0	0
Bit	Name	Description						
[7:0]	FLA_KEY	Write 0x5A and 0x1F to FLA_KEY in sequence to unlock Flash operation; Write any value to FLA_CR to lock Flash operation. 00: Locked 01: Write of 0x5A is done, waiting for 0x1F 10: Frozen 11: Unlocked						

32 CRC

32.1 CRC Functional Block Diagram

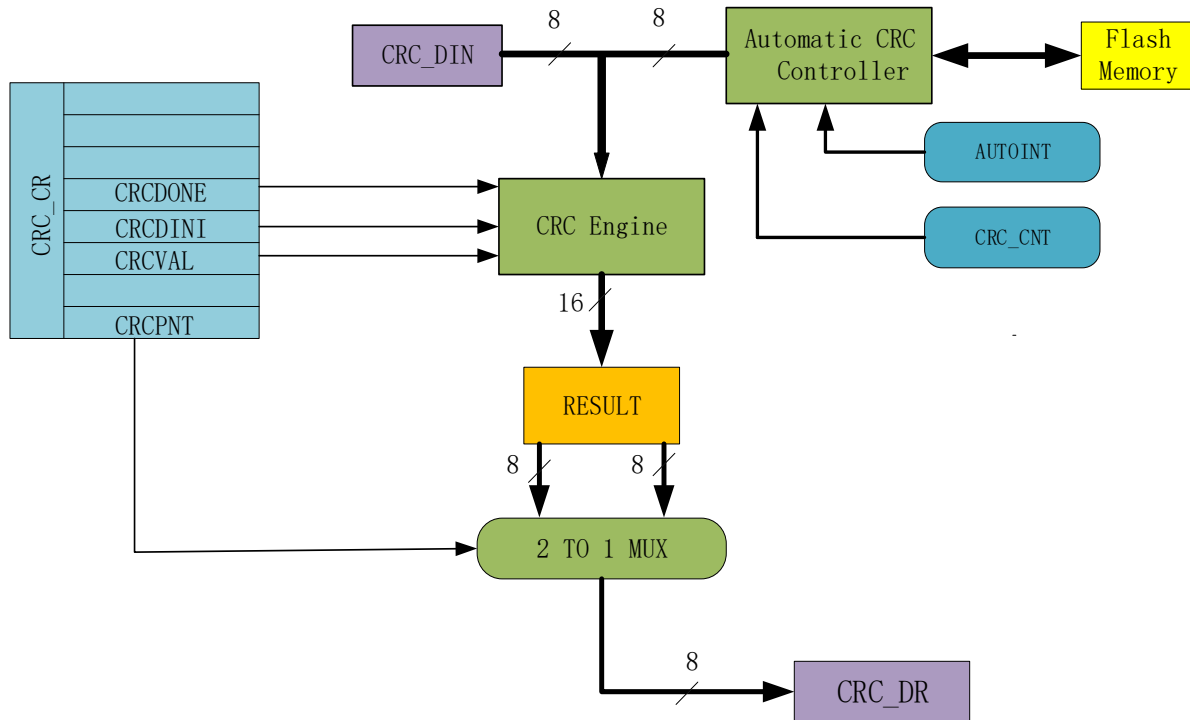


Figure 32-1 CRC Functional Block Diagram

CRC module outputs the result of CRC calculation for any 8-bit data based on a fixed polynomial. As shown as above, CRC receives the 8-bit data from CRC_DIN and sends the 16-bit result to the internal register after the calculation is completed. The result can be indirectly accessed through CRC_CR[CRCPNT] and CRC_DR.

Table 32-1 CRC Criteria and Polynomials

S/N.	CRC Criteria	Polynomial	Hexadecimal Representation
1	CRC12	$x^{12}+x^{11}+x^3+x^2+x+1$	0x80F
2	CRC16	$x^{16}+x^{15}+x^2+1$	0x8005
3	CRC16/CCITT-FALSE	$x^{16}+x^{12}+x^5+1$	0x1021
4	CRC32	$x^{32}+x^{26}+x^{23}+x^{22}+x^{16}+x^{12}+x^{11}+x^{10}+x^8+x^9+x^5+x^4+x+1$	0x04C11DB7

32.2 CRC16 Polynomial

The chip uses CRC16/CCITT-FALSE polynomial: $x^{16}+x^{12}+x^5+1$.

32.3 CRC16 Logic Diagram

The schematic diagram of CRC16 is shown as below. The chip implementation is based on parallel algorithm. For each input byte, MCU calculates the results within one system clock cycle.

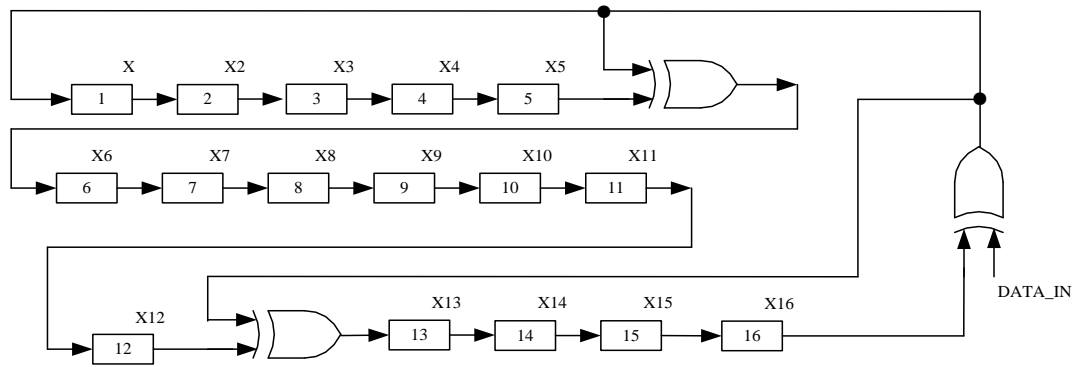


Figure 32-2 CRC16 Schematic Diagram

32.4 CRC Operations

32.4.1 CRC Calculation of Single Byte

CRC of a single byte is calculated as follows:

1. Initialize CRC_DR with two options: Configure CRC_CR[CRCVAL] and set CRC_CR[CRCDINI] to “1”, with an initial value of 0x0000 or 0xFFFF. Or configure CRC_CR[CRCPNT] and CRC_DR, where any initial value can be set.
2. Write data to CRC_DIN, and the CRC calculation is completed in the next clock cycle;
3. Read CRC value: Configure CRC_CR[CRCPNT] = 1, and read off CRC_DR in software to get the high-order bytes. Configure CRC_CR[CRCPNT] = 0, and read off CRC_DR to get the low-order bytes.

32.4.2 CRC Calculation of ROM Sector

CRC of a continuous area of data in the ROM is calculated as follows:

1. Initialize CRC_DR, in the same way as that of single-byte CRC calculation;
2. Configure CRC_BEG to define starting sector of the ROM to be calculated;
3. Configure CRC_CNT to set the offset from the starting sector to the ending sector;
4. Write “1” to CRC_CR[AUTOINT] and keep other bits unchanged. The calculation starts automatically;
5. Read the CRC results.

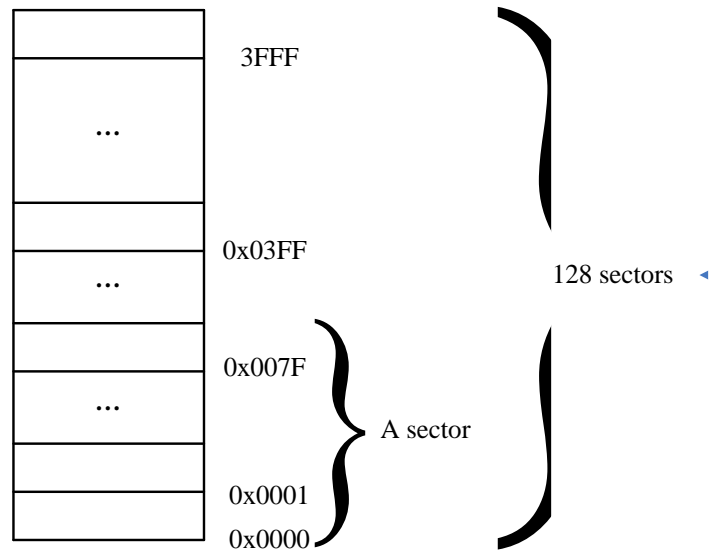


Figure 32-3 ROM Sectors

As shown above, ROM contains 16k bytes and is divided into 128 sectors numbered from sector0 to sector127. Each sector contains 128 bytes. For CRC calculation of sectors, the value of CRC_BEG (the starting sector) can be any value between 0x00 ~ 0x7F, including 0x00 and 0x7F. the value of CRC_CNT (the total number of sectors to be calculated) can be any value between 0x00 ~ 0x7F, including 0x00 and 0x7F.

As CRC_BEG increases, CRC_CNT decreases accordingly. For example, if CRC_BEG is 0x7F, CRC_CNT can be 0x00 only, i.e. the CRC value of the data in the last sector is calculated. In this case, if the value of CRC_CNT is large, CRC controller automatically limits the number of sectors to be calculated. Finally, CRC module only calculates CRC value of the last sector.

32.5 CRC Registers

32.5.1 CRC_CR (0x4022)

Bit	7	6	5	4	3	2	1	0
Name	RSV			CRCDONE	CRCDINI	CRCVAL	AUTOINT	CRCPNT
Type	R	R	R	R	R/W	R/W	R/W	R/W
Reset	0	0	0	1	0	0	0	0
Bit	Name	Description						
[7:5]	RSV	Reserved						
[4]	CRCDONE	CRC Sector Calculation Completion Flag During the calculation, this bit is automatically set to “0” and the software program stops. In other cases, this bit is automatically set to “1” by the hardware, so the software always returns “1” when reading this bit.						
[3]	CRCDINI	CRC Result Initialization Trigger 0: No effect 1: CRC result initialization is triggered.						
[2]	CRCVAL	CRC Result Initialization Select Bit 0: CRC result is initialized to 0x0000. 1: CRC result is initialized to 0xFFFF.						
[1]	AUTOINT	CRC Sector Calculation Launch 0: No effect 1: Launch CRC batch calculation See section CRC Calculation of ROM Sector.						
[0]	CRCPNT	CRC Result Pointer 0: Read CRC_DR to access 8 low-order bits of the 16-bit CRC result 1: Read CRC_DR to access 8 high-order bits of the 16-bit CRC result						

Note: CRC_CR[AUTOINT] is set to “0” to perform single-byte CRC checksum.

32.5.2 CRC_DIN (0x4021)

Bit	7	6	5	4	3	2	1	0
Name	CRC_DIN							
Type	W	W	W	W	W	W	W	W
Reset	0	0	0	0	0	0	0	0
Bit	Name	Description						
[7:0]	CRC_DIN	CRC Input Data Each time a data frame is written to this register, CRC module automatically calculates a new CRC result based on the existing CRC result, and overwrites the original one. Note: It is a virtual register, so the written data is not saved. 0x00 is returned when the address is accessed.						

32.5.3 CRC_DR (0x4023)

Bit	7	6	5	4	3	2	1	0
Name	CRC_DR							
Type	R/W	R/W	R/W	R/W	R/W	R/W	R/W	R/W
Reset	0	0	0	0	0	0	0	0
Bit	Name	Description						
[7:0]	CRC_DR	CRC Result Output Each time this register is read or written, CRC module determines to access 8 high-order bits or 8 lower-order bits of the CRC result according to CRC_CR[CRCPNT].						

32.5.4 CRC_BEG (0x4024)

Bit	7	6	5	4	3	2	1	0
Name	RSV	CRC_BEG						
Type	R	R/W	R/W	R/W	R/W	R/W	R/W	R/W
Reset	0	0	0	0	0	0	0	0
Bit	Name	Description						
[7]	RSV	Reserved						
[6:0]	CRC_BEG	First ROM sector pending auto CRC calculation Example: If CRC_BEG is set to "1", CRC calculation starts from location $1 * 128 = 128$, or rather from the first byte of sector 2.						

32.5.5 CRC_CNT (0x4025)

Bit	7	6	5	4	3	2	1	0
Name	RSV	CRC_CNT						
Type	R	R/W	R/W	R/W	R/W	R/W	R/W	R/W
Reset	0	0	0	0	0	0	0	0
Bit	Name	Description						
7	RSV	Reserved						
[6:0]	CRC_CNT	Offset of Sector Pending Automatic CRC Calculation This bit defines the offset of ROM sector for CRC calculation and determines the last sector pending CRC calculation.						

33 Sleep Mode

33.1 Introduction

The chip operates in three modes: normal mode, standby mode and sleep mode. These modes are selected by setting PCON[IDLE] and PCON[STOP].

The operating states of the module under different power modes are summarized as below.

Table 33-1 Power Consumption Modes

Power Mode	Description	Wakeup Source	Power Consumption Performance
Normal	All modules work at full speed except for peripherals that are disabled	NA	High power consumption with best performance
Standby	CPU clock stops and other functional modules are either enabled or disabled depending on their control bit setting. WDT stops.	Any interrupt Reset/Debug on external interrupt	Low power performance with flexible performance
Sleep	Flash Deep Sleep. The analog fast clock circuit is disconnected and software shall be operated to ensure that ADC, FOC, and driver modules are disabled before the chip enters the Sleep Mode. WDT is disabled.	External interrupt, RTC interrupt, Reset/Debug on external interrupt	Extremely low power performance with flexible performance

Note: It is recommended to insert 3 null statements in the Sleep mode.

```
PCON = 0x02;
```

```
_nop_();
```

```
_nop_();
```

33.2 Sleep Mode Register

33.2.1 PCON (0x87)

Bit	7	6	5	4	3	2	1	0
Name	RSV		GF3	GF2	GF1	RSV	STOP	IDLE
Type	R/W	R/W	R/W	R/W	R/W	R/W	R/W	R/W
Reset	0	0	0	0	0	0	0	0
Bit	Name	Description						
[7:6]	RSV	Reserved						
[5]	GF3	General-purpose flag bit 3						
[4]	GF2	General-purpose flag bit 2						
[3]	GF1	General-purpose flag bit 1						
[2]	RSV	Reserved						
[1]	STOP	A write of “1” makes the chip enter the sleep mode. The bit is automatically cleared to “0” by hardware after wakeup.						
[0]	IDLE	A write of “1” makes the chip enter the standby mode. The bit is automatically cleared to “0” by hardware after wakeup.						

Power Consumption Mode PCON[STOP:IDLE]:

00: Normal

01: Standby

1X: Sleep

34 Code Protection

34.1 Introduction

The chip supports Flash space encryption to protect your software intellectual property and avoid unauthorized access. When Flash memory is encrypted, the data inside cannot be read, and data consistency can be evaluated by CRC check module only.

34.2 Operating Instructions

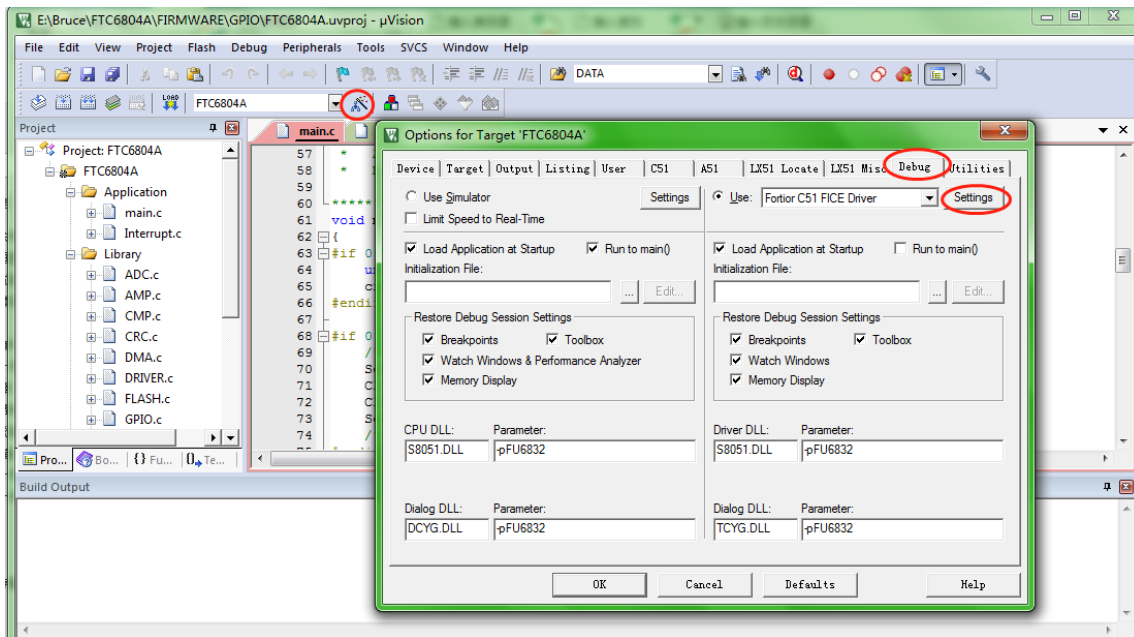


Figure 34-1 Code Protection Configurations

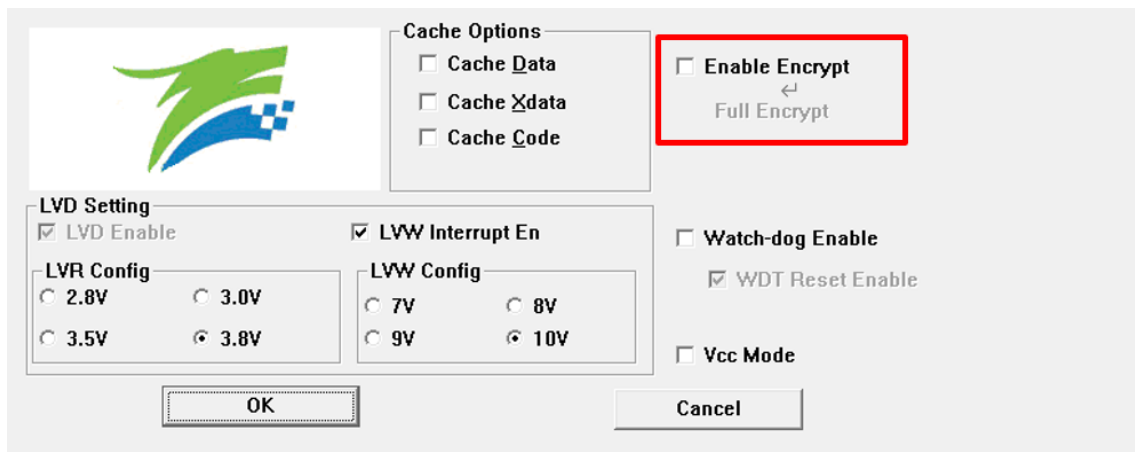


Figure 34-2 Full Code Protection Mode

Operation steps are as follows:

1. Start 8051 IDE, enter Target Options and select Debug tab. As shown in Figure 34-1, click Settings to proceed with the setting;
2. Select the options as shown in Figure 34-2, and click OK. Then compile the project and download it. Get the BIN file and program it to Flash.

35 Magneto-resistance Sensor

35.1 Introduction

The chip has a built-in angle sensor based on AMR magneto-resistance technology. The MR sensor detects rotating magnetic fields to obtain two pairs of differential sinusoidal signals with an amplitude of around 120mV that are output to the pins of the chip and amplified by Op-Amp 1 and Op-Amp 2. The angle sensor supports 180°-degree angle measurement and provides a 360°-degree absolute position when used with Hall sensor or other technologies.

35.2 Instructions

Figure 35-1 shows the position relationship between sensor chip and magnet during basic angle measurement, i.e., when a magnetic field of 80G or greater is applied parallel to the sensor surface. For instance, placing a radially magnetized permanent magnet above the sensor, or on an end of the shaft of a motor or other equipment. When the magnet rotates with the motor, the direction of magnetic field sensed by the sensor changes accordingly. A corresponding direction of magnetic field θ is provided at the same time. Figure 35-2 presents the relationship between the voltage waveform of signal output and the angle. It shows that the output signals of Bridge A and Bridge B are both of 180° phase. The output waveforms are exactly identical at 0°-180° and 180°-360°. Therefore, based on the outputs from Bridge A and Bridge B, the angle θ between 0°-180° can be determined. With Hall sensor or other technologies, any angle within 0°-360° can be precisely measured. The output voltage is as follows, where the typical value of S is 12mV/V.

Output voltage of Bridge A: $V = VDD * S * \sin(2\theta)$

Output voltage of Bridge B: $V = VDD * S * \cos(2\theta)$

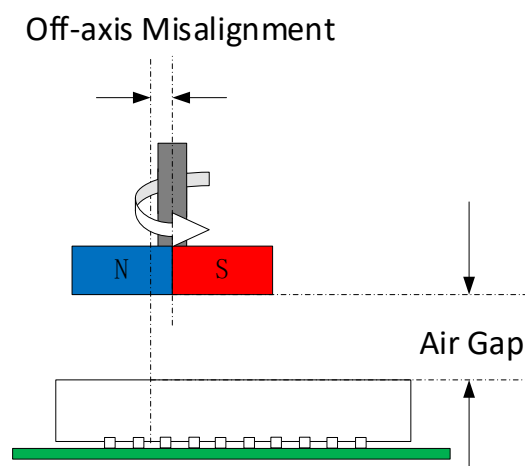


Figure 35-1 Position Relationship between Sensor Chip and Magnet

Symbol	Parameter	Min.	Typ.	Max.	Unit
Dmag	Magnet Diameter	-	6	-	mm
Tmag	Magnet Thickness	-	2.5	-	mm
Bpk	Peak Flux Density	80	-	-	Gs

Symbol	Parameter	Min.	Typ.	Max.	Unit
AG	Air Gap	0.5	2	-	mm
DISP	Radial Displacement			0.3	mm
TCmag1	NdFeB	-	-0.12	-	%/° C
TCmag2	SmCo	-	-0.035	-	%/° C

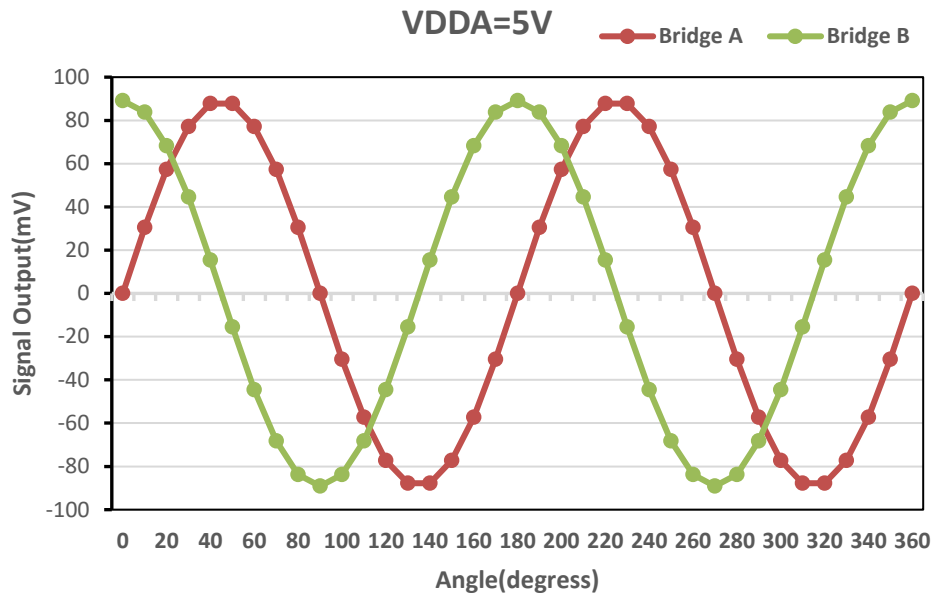


Figure 35-2 Voltage Waveform of Signal Output and Angle

35.3 Functional Block Diagram

A simplified block diagram of FU6332 application is shown in Figure 35-3. Two interleaved Wheatstone bridges generate sine and cosine signals. The signals are sent to Op-Amp on the chip through externally configured resistors to adjust the magnification times of the Op-Amp. ADC and hardware decoder are used for angular decoding.

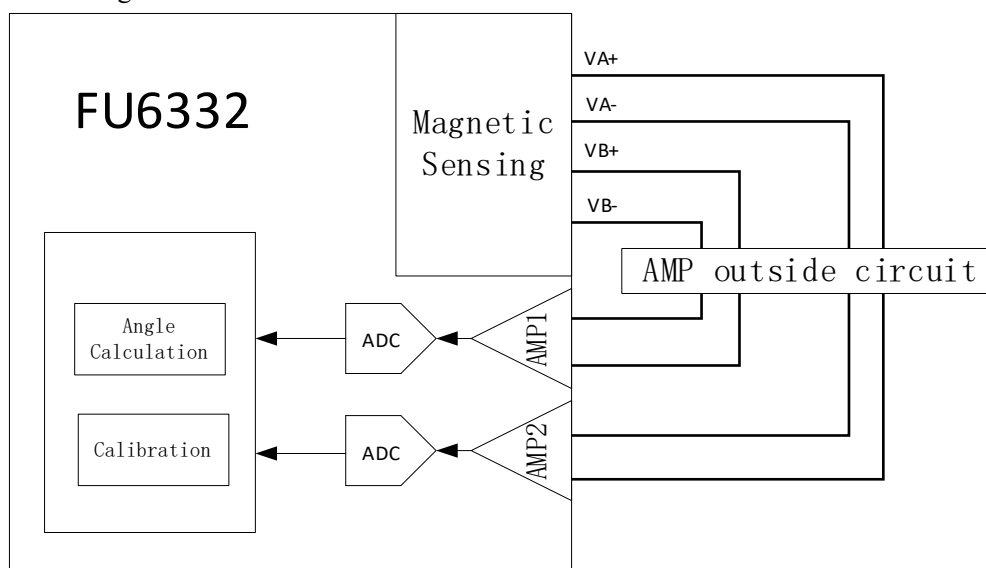


Figure 35-3 Functional Block Diagram of MR Sensor

35.4 Application Recommendation

As shown below, the output signals of VA and VB pins of the angle sensor are differentially amplified by Op-Amp 1 and Op-Amp 2. The recommended magnification is 10 to 20 times. Biasing chip is used in VHALF module for biasing voltage. A 100pF capacitor is placed in the feedback loop to reduce the bandwidth of the system and filter the noise from other than the sensor and amplifier circuit.

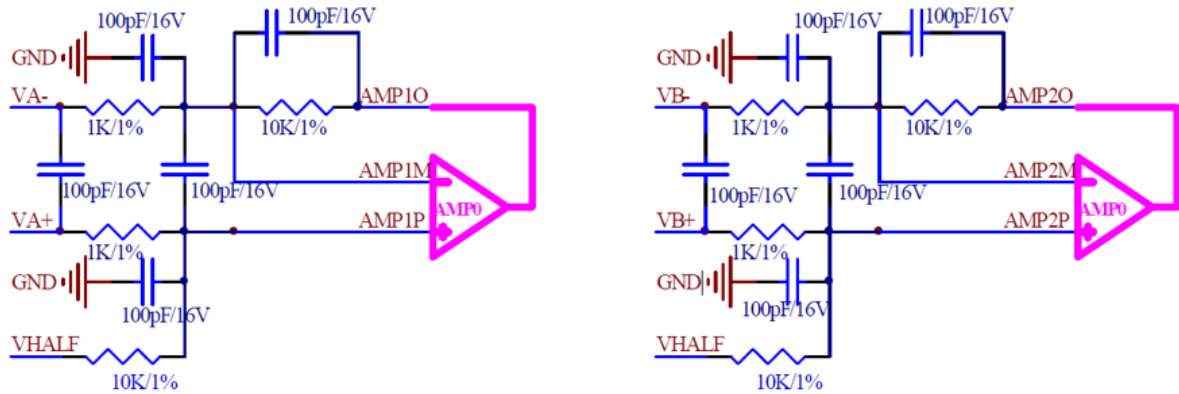


Figure 35-4 Recommended Circuit Diagram

36 Revision History

Rev.	Description	Date	Prepared By
V1.0	First release	2023/04/20	Eric Deng

Copyright Notice

Copyright by Fortior Technology Co., Ltd. All Rights Reserved.

Right to make changes —Fortior Technology Co., Ltd. reserves the right to make changes in the products - including circuits, standard cells, and/or software - described or contained herein in order to improve design and/or performance. The information contained in this manual is provided for the general use by our customers. Our customers shall ensure that they take appropriate action so that their use of our products does not infringe upon any patents. It is the policy of Fortior Technology Co., Ltd. to respect the valid patent rights of third parties and not to infringe upon or assist others to infringe upon such rights.

This manual is copyrighted by Fortior Technology Co., Ltd. You may not reproduce, transmit, transcribe, store in a retrieval system, or translate into any language, in any form or by any means, electronic, mechanical, magnetic, optical, chemical, manual, or otherwise, any part of this publication without the expressly written permission from Fortior Technology Co., Ltd. You may not alter or remove any copyright or other notice from copies of this content.

If there are any differences between the Chinese and the English contents, please take the Chinese version as the standard.

Fortior Technology (Shenzhen) Co., Ltd.

Room 203, 2/F, Building No.11, Keji Central Road 2,
Software Park, High-Tech Industrial Park, Shenzhen, P.R. China 518057

Tel: 0755-26867710

Fax: 0755-26867715

URL: <http://www.fortiortech.com>

Contained herein

Copyright by Fortior Technology (Shenzhen) Co., Ltd. All rights reserved.