

A

B

C

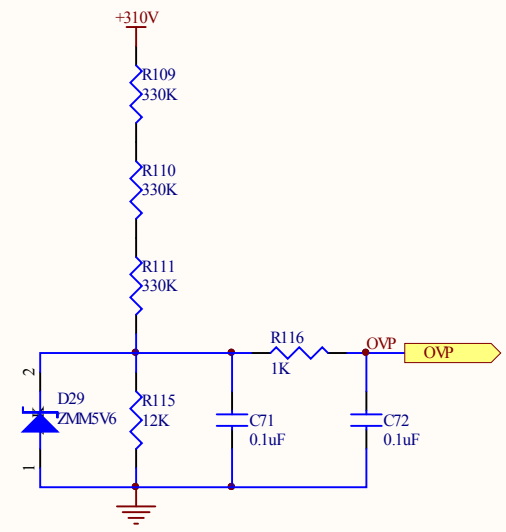
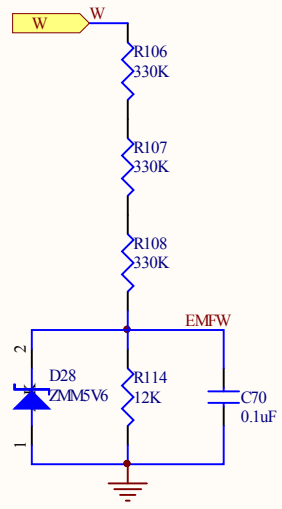
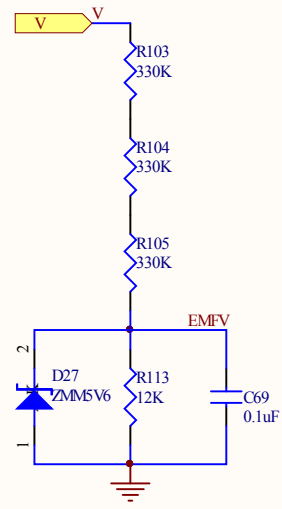
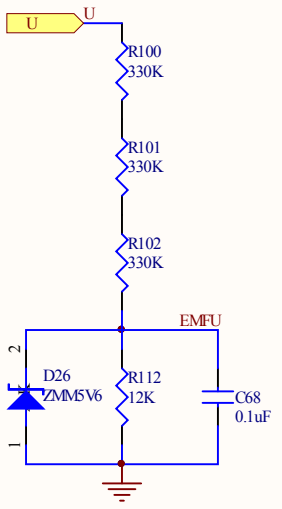
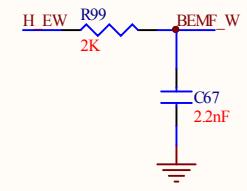
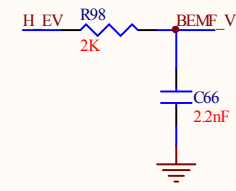
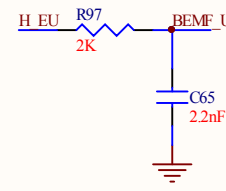
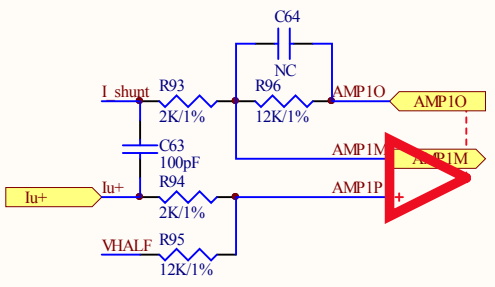
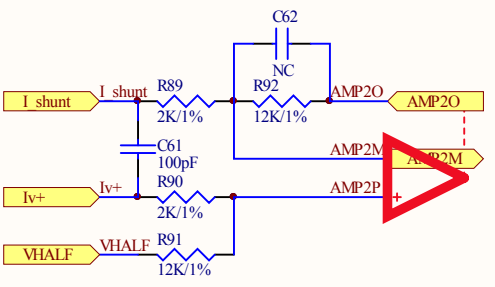
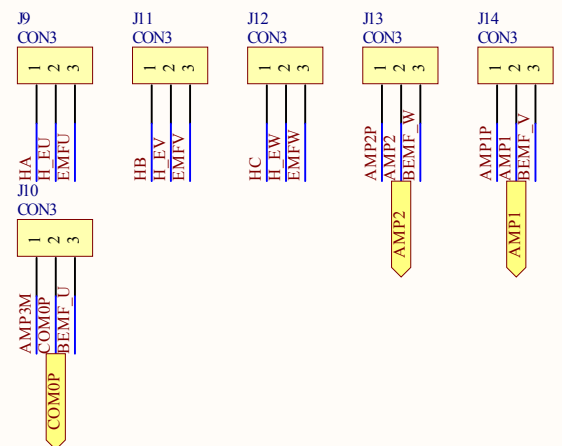
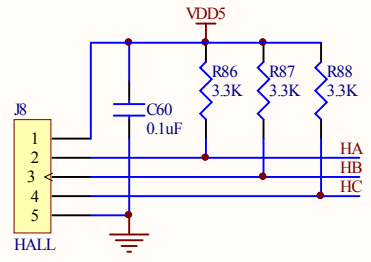
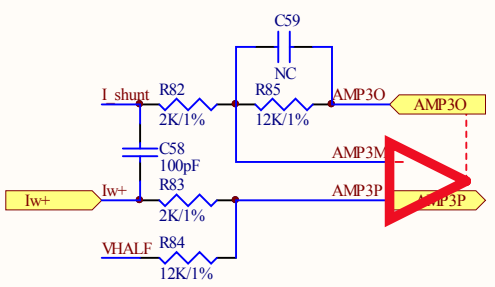
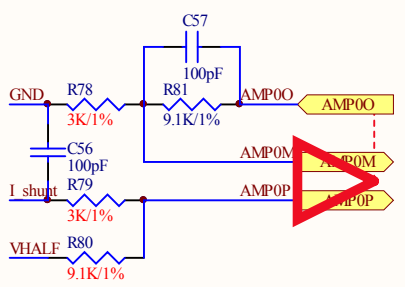
D

1

2

3

4



1

2

3

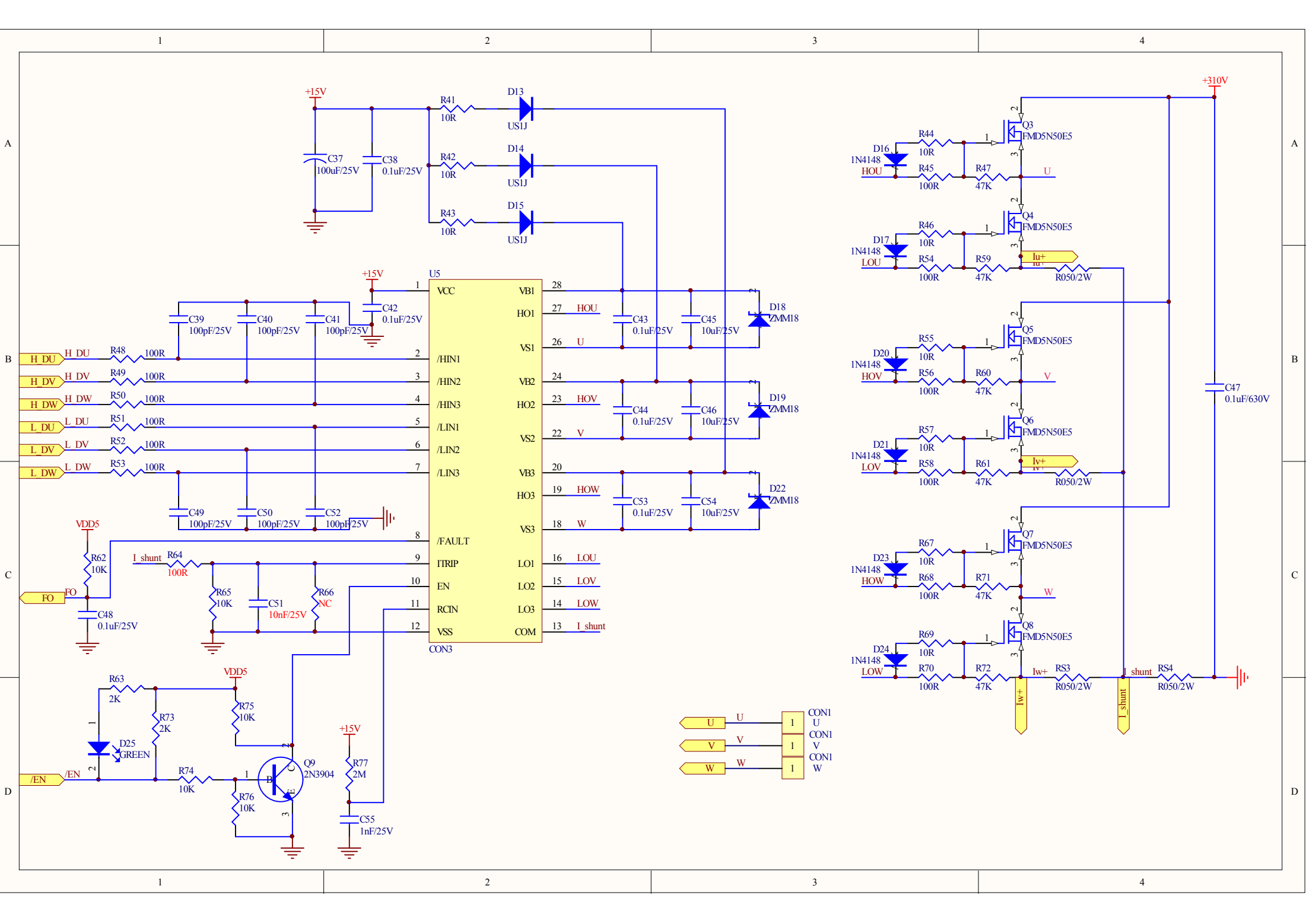
4

A

B

C

D



1

2

3

4

A

A

B

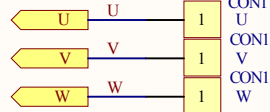
B

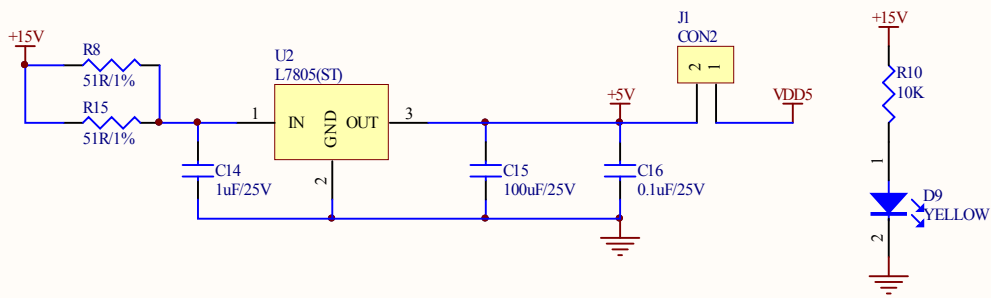
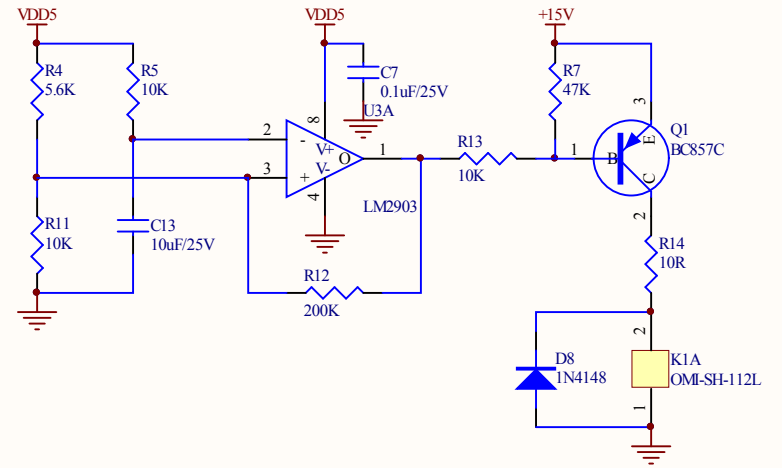
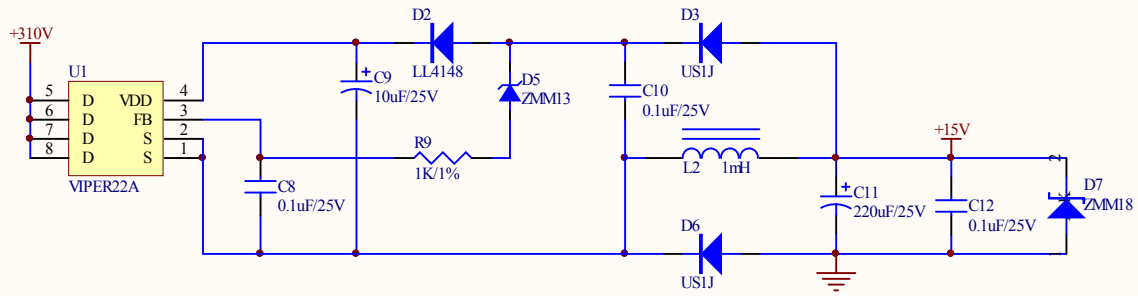
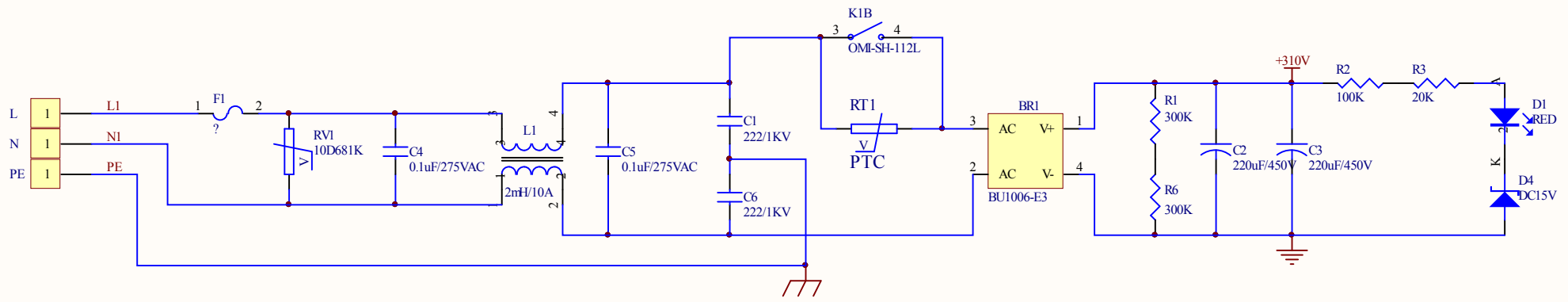
C

C

D

D





1

2

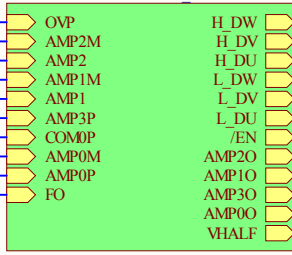
3

4

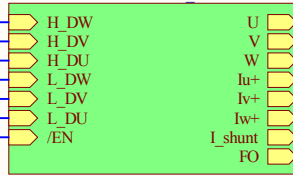
FU6811-DEMO-POWER\_V1  
FU6811-DEMO-POWER\_V1.0



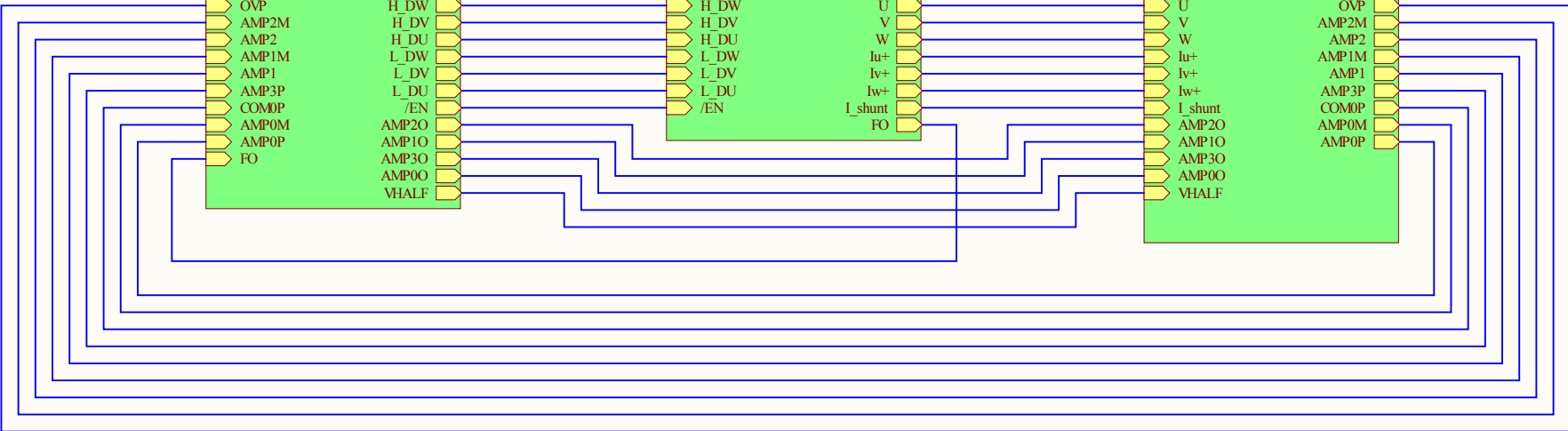
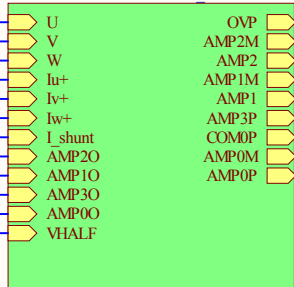
FU6811-DEMO-CONTROL\_V1  
FU6811-DEMO-CONTROL\_V1.0



FU6811-DEMO-INVERTER\_V1  
FU6811-DEMO-INVERTER\_V1.0



FU6811-DEMO-DETECTION\_V1  
FU6811-DEMO-DETECTION\_V1.0



方案名称: FU6811-DEMO	设计电压: AC220V
设计人: 王延虎	设计功率: 1000W
设计日期: 2016-01-05	
版本号: V1.0	

1

2

3

4